

## SETTING UP THE STRAIGHT EDGE

Slacken the knob at each end of the straight edge .

Rotate the drawing board into a horizontal position.

Move the black counter-weights to the bottom of the board.

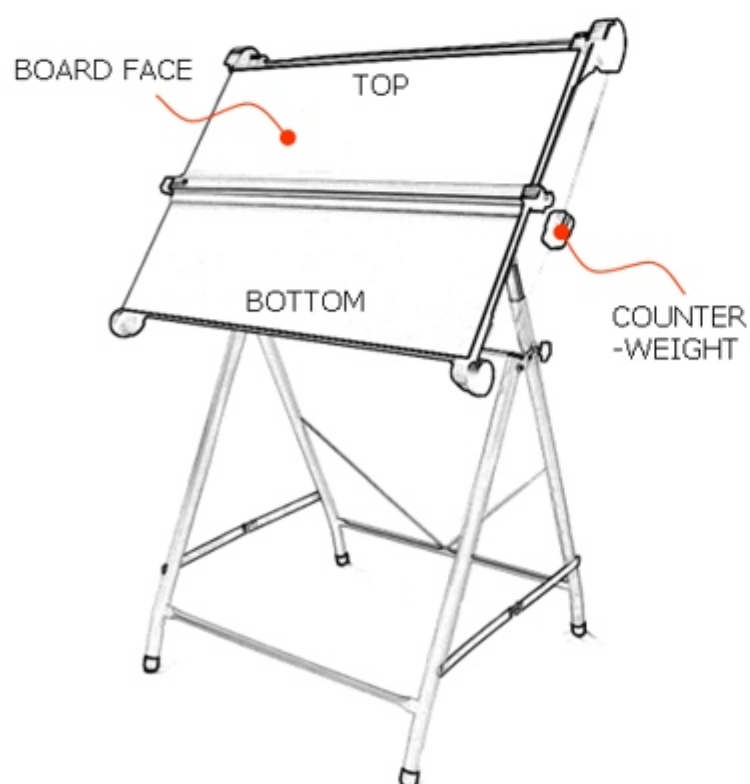
Place the straight edge on the drawing board near the top edge (opposite to the counter-weights).

Position the wire behind the head of the bolt within the fitting and tighten the knob - see *diagram*.

Repeat for the opposite end of the straight edge.

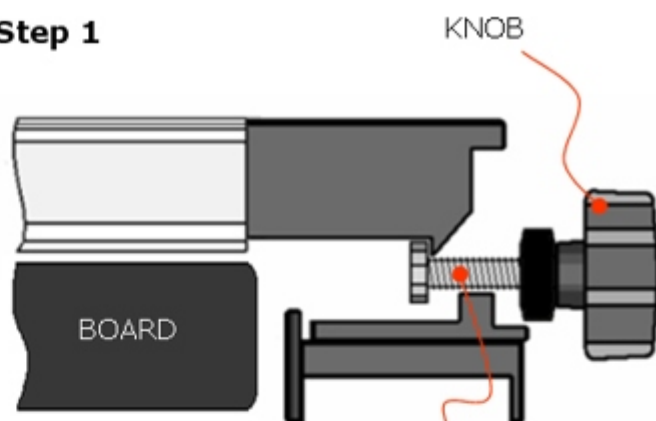
To set the straight edge parallel with the board, slacken the knobs and align the straight edge to the top of the board face, ensuring the counter-weights remain to the bottom of the board.

Retighten the knobs.



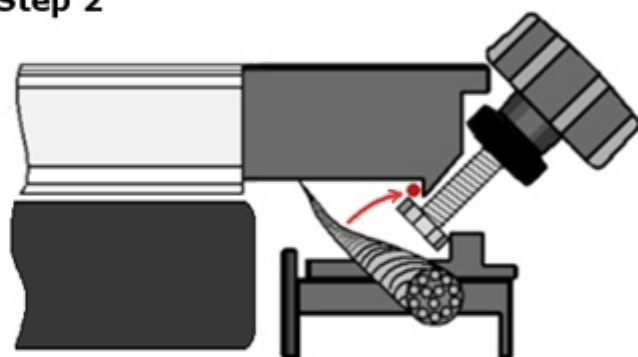
## ATTACHING TO THE WIRE

### Step 1



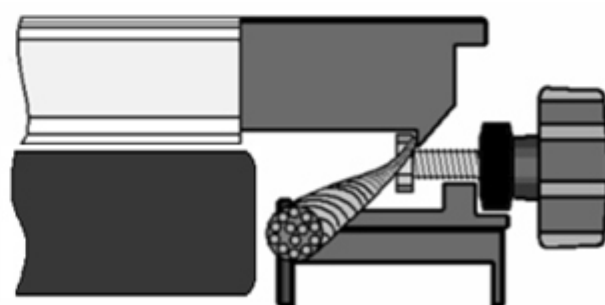
Thread the knob only one turn onto the bolt

### Step 2



Using the knob, push the bolt in and tilt upwards to allow the wire to fit behind the bolt head

### Step 3



Tighten the knob to secure the bolt head against the wire.