

ISO 5211 & DIN 3337



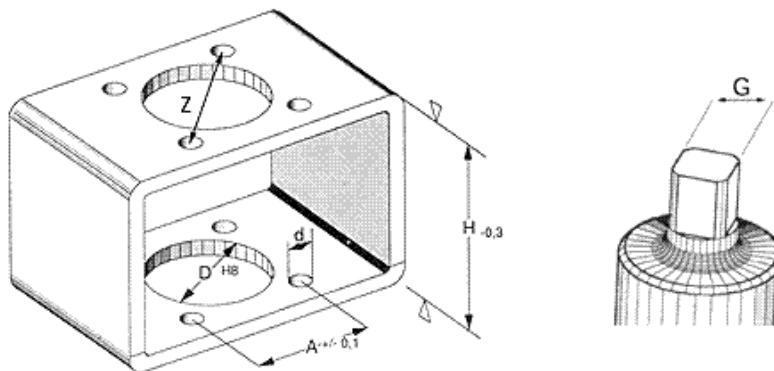
Doc: ISO5211/01

March 2007

Extract from ISO:5211 & DIN:3337

ISO:5211 defines the actuator mounting dimensions, and drive square size.

DIN:3337 defines a 45° orientation of the actuators' square drive shaft.



	ØD	A (± 0.1)	Ød (± 0.1)	ØZ (± 0.1)	No of bolts	Bolt Ø	H (± 0.5)	G
F03	25	25.5	5.5	36	4	M5	50	9
F04	30	29.7	5.5	42	4	M5	50	11
F05	35	35.4	6.5	50	4	M6	60	14
F07	55	49.5	8.5	70	4	M8	60	17
F10	70	72.1	10.5	102	4	M10	80	22
F12	85	88.4	12.5	125	4	M12	80	27
F14	100	99	17	140	4	M16	90	36
F16	130	116.7	21	165	4	M20	120	46
F25	200	254	17	254	8	M16	180	55

All dimensions in mm