

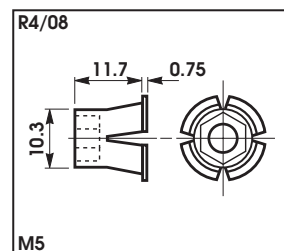
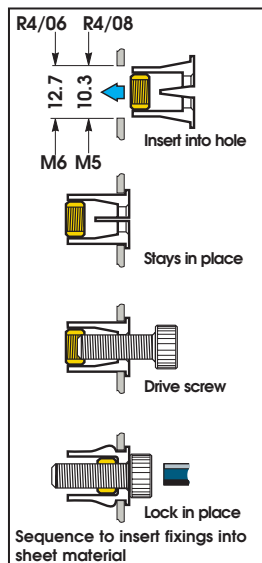
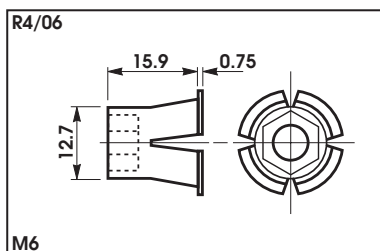
Description

- Rola Multi-Purpose are a variety of ten components, threads and fasteners that can be combined to be used in problem situations, for example, **Removable Grille** and **Access Panel Locks** fitted to **UPVC** or **sheet materials**.

Shown here are the two inserts, M5 and M6, for sheet materials or extrusions, especially UPVC or aluminium.

Installation

- The sheet metal fasteners are held in position by placing them in accurately drilled holes and then expanding them behind the hole by driving a screw into the integrated nut.
- and if applicable, fixing instructions.



Product Code	Description	Finish	Number per pack
R4/06	Rola UPVC or Aluminium Fasteners (M6 Thread)	Off W	10
R4/08	Rola UPVC or Aluminium Fasteners (M5 Thread)	Off W	10

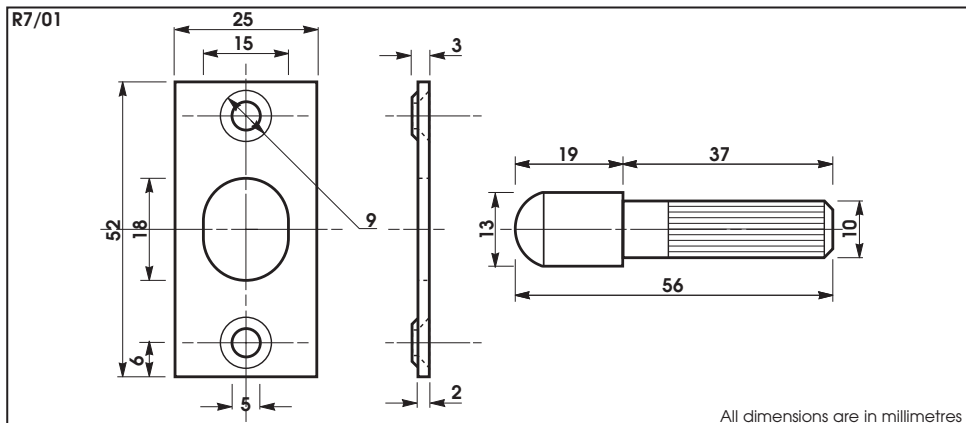
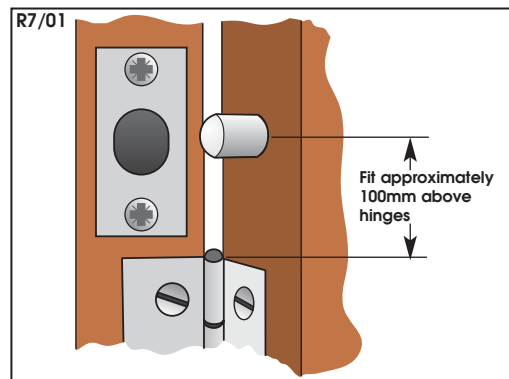
ROLA HINGE BOLT

Description

- The Rola Hinge Bolt consists of a steel pin and plate specifically designed to secure outward opening front doors where the door hinges are visible and open to attack. However they are often used as standard on inwardly opening doors.

Installation

- The pins are driven into tight holes on the door edge approximately 100mm above the door hinges. Carefully closing the door will mark the frame and indicate the position of the plate's centre. The plate is then recessed into the door frame with an oval clearance hole underneath and secured with the screws supplied.



All dimensions are in millimetres

Product Code	Description	Finish	Number per pack
R7/01	Rola Hinge Bolt - Plate, Pin and Screws	SCP, B or W	2
R7/02 (R7/01 in volume)	Rola Hinge Bolt - Plate, Pin and Screws	SCP, B or W	2 x 300 packs