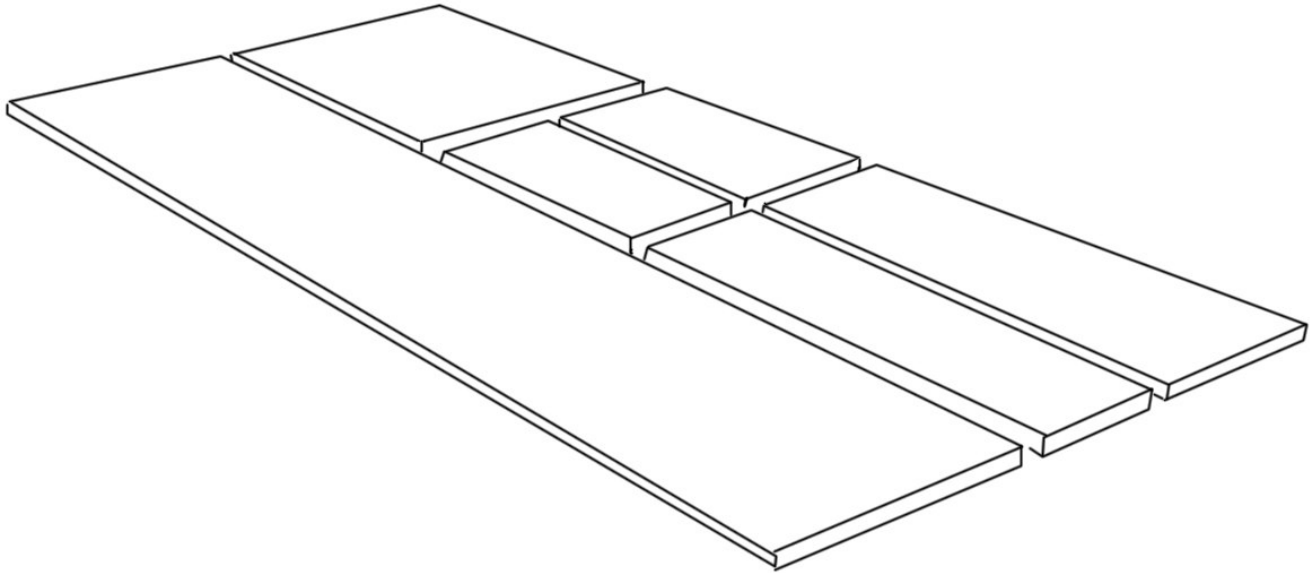


## Sheet Cutting



**We are pleased to offer a new sheet material cutting service for plywood, MDF and any sheet material requirements**

**Acorn: offering the 'cutting edge' for sheet material.**

