

ATLANTIC PLASTICS is a company of



EBCO Gunmetal Hose Fittings Catalogue 2013



TALIS – the number one choice for all valve-related products.








TALIS is the major brand whenever products and services are needed for the water cycle.

The brands ATLANTIC PLASTICS, BAYARD, BELGICAST, ERHARD, FRISCHHUT, SCHMIEDING, STRATE, UNIJOINT and WAFREGA are united under this name to provide a unique comprehensive service that provides the best solution for every application. Our global experience and the in-depth knowledge of our employees are the basis for TALIS' innovative strength. In our quest for new sustainable solutions, we regularly set new milestones in valve technology. And have been doing so for more than 100 years.

Our main focus is always on increasing efficiency in handling the resource water, on a long service life and economic feasibility.

TALIS products meet the most stringent quality standards and are certified all over the world.



5	 EBCO Hexagon Hose Connector - Male	6	 EBCO Hexagon Hose Connector - Female	7	 EBCO Bent Hexagon Hose Connector - Male
8	 EBCO Bent Hexagon Hose Connector - Female	9	 EBCO Lugged Blanking Cap and Chain	10	 EBCO Strainer Body
11	 EBCO Strainer Body Cap				

Technical Data

The EBCO range of gunmetal marine fittings includes hose connectors, blanking caps, strainer bodies and strainer body caps for use with BSP threaded pipes. Sizes range from 1/2" to 4" and the use of corrosion immune materials ensure a long and trouble free working life.

EBCO Hexagon Hose Connectors

Available in either straight or bent (90° elbow) configurations, gunmetal hose connectors are supplied with either a male BSP thread with hexagon shoulder or a female BSP thread with hexagon nut and loose serrated tail. Sizes range from 1/2" to 4".

EBCO Lugged Blanking Caps

Cast gunmetal cap with lugs, brass chain and nitrile washer. Sizes range from 1/2" to 4".

EBCO Strainer Bodies and Caps

A gunmetal water intake strainer and cap for use with nylon filter inserts. Sizes range from 1/2" to 1 1/2". Supplied without nylon filter insert.

Sizes:	1/2" to 4"
Thread Types:	BS EN ISO 228-1 (BS2779)
Materials:	Metallic parts: Gunmetal to BS EN 1982:2008 CC491K and Brass. Washers: Nitrile Rubber

Benefits:

- Made from corrosion resistant gunmetal, EBCO hose fittings will provide years of trouble free service in even the most arduous of conditions.
- Available in a wide range of sizes, from 1/2" to 4" depending on product type, to cover the most common applications.

Safety

As with all industrial products it is important to take adequate safety precautions such as the use of adequate protective clothing like gloves, overalls, eye protection and safety footwear during installation and maintenance of this product.

Application

These products are designed for use with cold potable water. Save with the express written permission of Atlantics Plastics Ltd, no warranty is given for any other use.

Dimensions and weights are provided for guidance only.

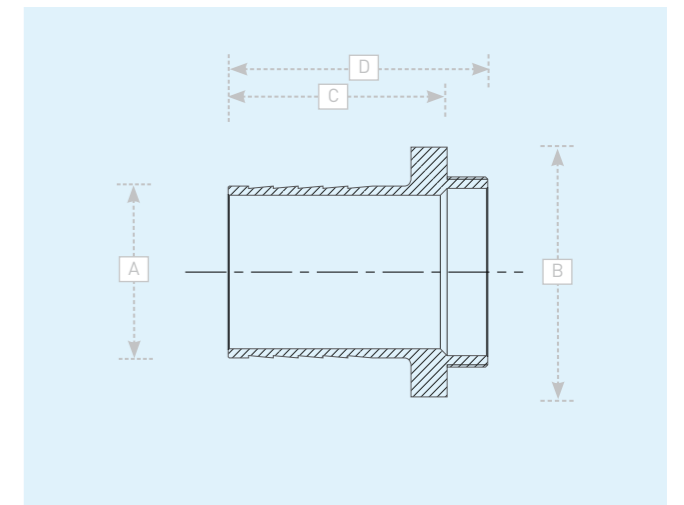
Technical Help:

For further technical data, product specifications and general information please contact Customer Service on +44 (0)1675 437 900.

EBCO



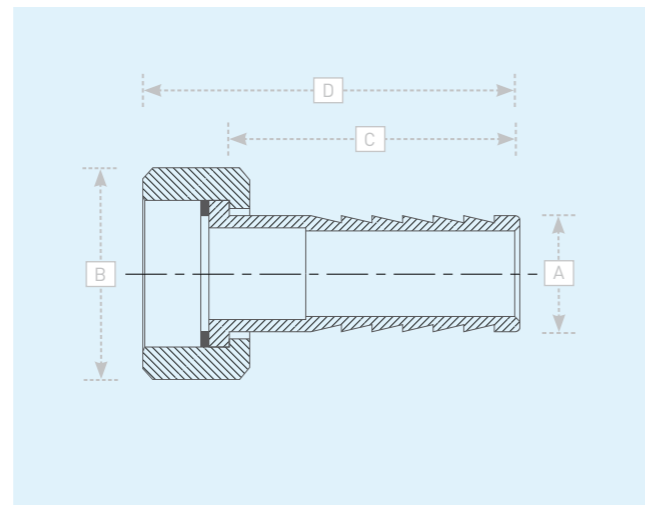
EBCO Hexagon Hose Connector - Male



Part Number	Inlet	Hose	A (mm)	B (mm)	C (mm)	D (mm)	Pack Quantity			Product Weight (kg each)
							Bag	Box	Carton	
H12B0202	1/2" Male	1/2"	14	28	39	61	-	1	-	0.08
H12B0303	3/4" Male	3/4"	20	33	38	59	-	1	-	0.12
H12B0404	1" Male	1"	26	40	52	79	-	1	-	0.20
H12B0505	1 1/4" Male	1 1/4"	32	50	51	79	-	1	-	0.29
H12B0606	1 1/2" Male	1 1/2"	38	55	56	82	-	1	-	0.34
H12B0808	2" Male	2"	51	76	68	98	-	1	-	0.63
H12B1010	2 1/2" Male	2 1/2"	64	87	76	110	-	1	-	0.90
H12B1212	3" Male	3"	76	97	79	120	-	1	-	1.46
H12B1616	4" Male	4"	102	130	110	157	-	1	-	3.19

EBCO
Hexagon Hose Connector
- Female

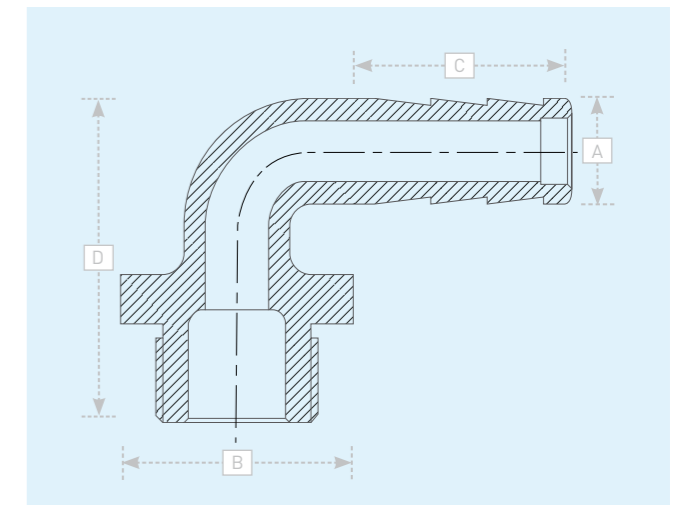
EBCO



Part Number	Inlet	Hose	A (mm)	B (mm)	C (mm)	D (mm)	Pack Quantity			Product Weight (kg each)
							Bag	Box	Carton	
H24HS02F	1/2" Female	1/2"	14	25	38	49	-	1	-	0.06
H24HS03F	3/4" Female	3/4"	19	30	49	63	-	1	-	0.11
H24HS04F	1" Female	1"	26	40	54	68	-	1	-	0.18
H24HS05F	1 1/4" Female	1 1/4"	32	48	60	87	-	1	-	0.28
H24HS06F	1 1/2" Female	1 1/2"	38	60	70	86	-	1	-	0.44
H24HS08F	2" Female	2"	50	69	70	93	-	1	-	0.61

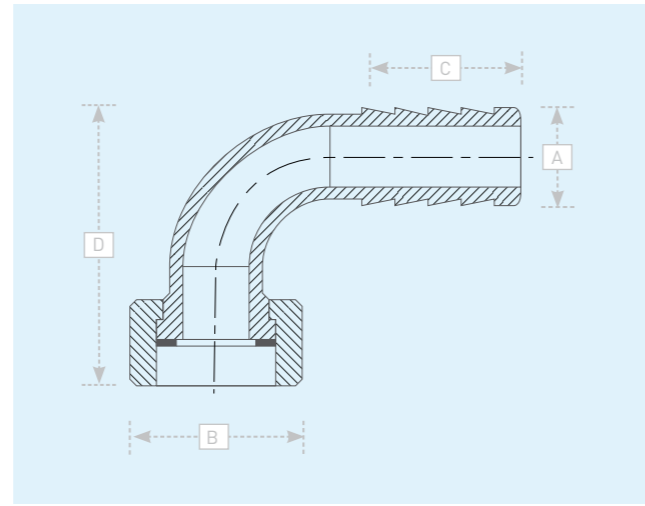
EBCO

EBCO
Bent Hexagon Hose Connector
- Male



Part Number	Inlet	Hose	A (mm)	B (mm)	C (mm)	D (mm)	Pack Quantity			Product Weight (kg each)
							Bag	Box	Carton	
HBHS02M	1/2" Male	1/2"	14	30	28	42	-	1	-	0.09
HBHS03M	3/4" Male	3/4"	19	33	32	52	-	1	-	0.16
HBHS04M	1" Male	1"	26	40	29	69	-	1	-	0.28
HBHS05M	1 1/4" Male	1 1/4"	31	48	41	76	-	1	-	0.40
HBHS06M	1 1/2" Male	1 1/2"	38	58	50	93	-	1	-	0.77
HBHS08M	2" Male	2"	50	76	61	117	-	1	-	1.27

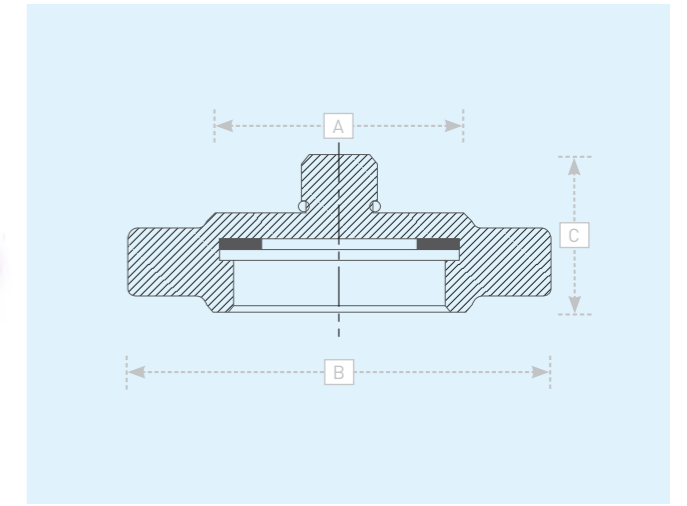
EBCO
Bent Hexagon Hose Connector
- Female



Part Number	Inlet	Hose	A (mm)	B (mm)	C (mm)	D (mm)	Pack Quantity			Product Weight (kg each)
							Bag	Box	Carton	
HBHS02F	1/2" Female	1/2"	14	25	21	45	-	1	-	0.08
HBHS03F	3/4" Female	3/4"	20	30	33	57	-	1	-	0.17
HBHS04F	1" Female	1"	26	40	41	64	-	1	-	0.28
HBHS05F	1 1/4" Female	1 1/4"	32	48	49	76	-	1	-	0.39
HBHS06F	1 1/2" Female	1 1/2"	38	60	51	85	-	1	-	0.59
HBHS08F	2" Female	2"	51	69	60	132	-	1	-	1.20

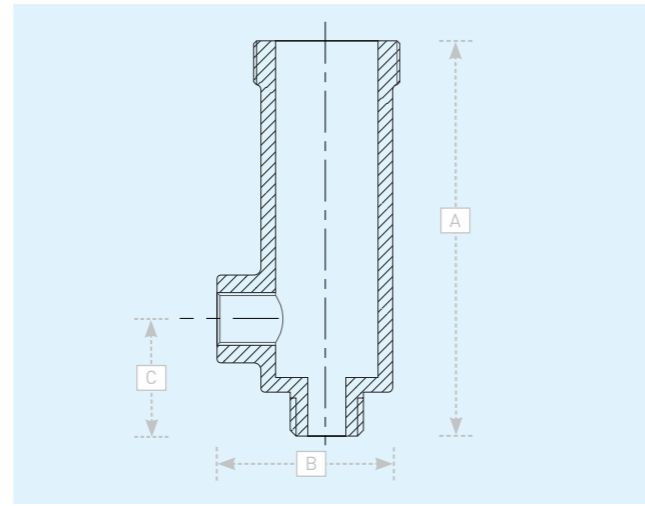


Lugged Blanking Cap
and Chain



Part Number	Cap	Thread	A (mm)	B (mm)	C (mm)	Pack Quantity			Product Weight (kg each)
						Bag	Box	Carton	
HLBC02	1/2"	1/2" Female	26	46	27	-	1	-	0.08
HLBC03	3/4"	3/4" Female	33	59	29	-	1	-	0.14
HLBC04	1"	1" Female	41	70	33	-	1	-	0.18
HLBC05	1 1/4"	1 1/4" Female	50	81	36	-	1	-	0.22
HLBC06	1 1/2"	1 1/2" Female	58	92	43	-	1	-	0.42
HLBC08	2"	2" Female	70	112	42	-	1	-	0.50
HLBC10	2 1/2"	2 1/2" Female	87	127	50	-	1	-	0.87
HLBC12	3"	3" Female	103	152	49	-	1	-	1.01

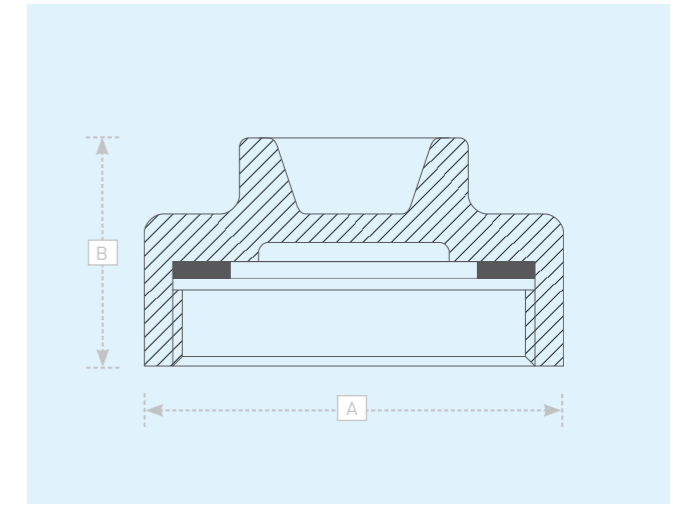
EBCO
Strainer Body



Part Number	Inlet (Tapered)	Outlet (Parallel)	A (mm)	B (mm)	C (mm)	Pack Quantity			Product Weight (kg each)
						Bag	Box	Carton	
HSB02	1/2" Male	1/2" Female	133	57	42	-	1	-	0.53
HSB03	3/4" Male	3/4" Female	203	65	58	-	1	-	0.80
HSB03s	3/4" Male	3/4" Female	137	65	58	-	1	-	0.62
HSB04	1" Male	1" Female	222	70	65	-	1	-	1.12
HSB05	1 1/4" Male	1 1/4" Female	256	78	102	-	1	-	1.34
HSB06	1 1/2" Male	1 1/2" Female	260	80	111	-	1	-	1.48



EBCO
Strainer Body Cap



Part Number	Cap	Thread	A (mm)	B (mm)	Pack Quantity			Product Weight (kg each)
					Bag	Box	Carton	
HSC02	1/2"	1 1/2" Female	54	30	-	1	-	0.24
HSC03	3/4"	1 1/2" Female	54	30	-	1	-	0.24
HSC04	1"	1 1/2" Female	54	30	-	1	-	0.24
HSC05	1 1/4"	1 3/4" Female	60	30	-	1	-	0.28
HSC06	1 1/2"	1 3/4" Female	60	30	-	1	-	0.28

Your Choice in Waterflow Control



TALIS is always the number one choice whenever water transport or control is required. TALIS has the best solution for water and energy management, as well as for industry and municipal applications. With a varied range of more than 20,000 products we offer comprehensive solutions for the entire water cycle. From hydrants to butterfly valves. From service connection valves to needle valves. Our experience, innovative technology, global expertise and individual consultation process form the basis for developing sustainable solutions for the efficient handling of the vital resource "water".



ATLANTIC PLASTICS LTD

Edison Road
Hams Hall Distribution Park
Coleshill, Birmingham, B46 1AB
United Kingdom
Telephone: +44 1675 437 900
Fax: +44 1675 437 909
E-Mail: enquiries@talis-group.com
Web: www.talis-uk.com

Note: Specifications may be changed without notification at any time.
Copyright: No copying without express written permission of ATLANTIC PLASTICS
ATLANTIC PLASTICS and EBCO are Registered Trademarks

