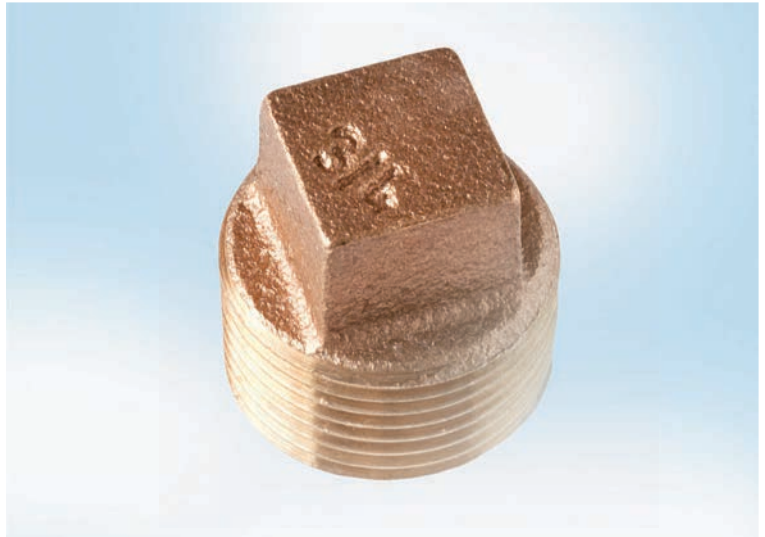


ATLANTIC PLASTICS is a company of



# EBCO Gunmetal BSP Threaded Fittings Catalogue



## TALIS – your choice in waterflow control.

TALIS is the major brand whenever products and services are needed for the water cycle.

The brands ATLANTIC PLASTICS, BAYARD, BELGICAST, ERHARD, FRISCHHUT, RAPHAEL, SCHMIEDING, STRATE, UNIJOINT and WAFREGA are united under this name to offer a unique and comprehensive range that provides the best solution for every application. Our global experience and the in-depth knowledge of our employees are the basis for TALIS' innovative strength. In our quest for new sustainable solutions, we regularly set new milestones in water distribution, control and treatment technology. And have been doing so for more than 100 years.

Our main focus is always on increasing efficiency in managing the resource to give a long service life and economic advantage.

TALIS products meet the most stringent quality standards and are certified all over the world.



			
90° Equal Elbow Female x Female 5	90° Elbow Male x Female 5	45° Equal Elbow Female x Female 6	45° Elbow Male x Female 6
			
90° Reducing Elbow Female x Female 7	Reducing Cross Female All Ends 7	Equal Cross Female All Ends 8	Equal Tee Female All Ends 8
			
Reducing Tee Female All Ends 9	Equal Socket Female x Female 10	Reducing Socket Female x Female 10	Straight Union (flat Joint) Female x Female 11
			
BSP Locknut 11	Reducing Hexagon Bush 12	Equal Hexagon Nipple 13	Plain Plug Male 13
			
Reducing Hexagon Nipple 14	Solid Plain Plug Male 15	Blank Cap 15	

# Technical Data

The EBCO range of traditional gunmetal pipe fittings for threaded pipe is robust and contains a wide variety of product types and sizes. The fitting's threads are to BS EN 10226-1 (BS21) and products are available in sizes ¼" to 4".

Sizes:	¼" to 4"
Thread:	BS EN 10226-1 (BS21)
Materials:	Gunmetal to BS EN 1982:2008 CC491K

British Standard Pipe thread (BSP) is a family of standard screw thread types that has been adopted internationally for interconnecting and sealing pipe ends by mating an external (male) with an internal (female) thread.

Two types of thread are distinguished:

- Parallel threads, which have a constant diameter.
- Taper threads, whose diameter increases or decreases along the length of the thread.

Jointing threads: These are pipe threads for joints made pressure-tight by the mating of the threads. They use a taper external (male) thread, and a parallel internal (female) thread. Best practice is to always use a jointing compound on the threads. Minimum order quantities may apply.

## Benefits:

- Made from corrosion immune gunmetal, EBCO threaded pipe fittings will provide years of trouble free service in even the most arduous of ground conditions.
- The extensive range of EBCO threaded pipe fittings will cover the majority of operational needs.

## Application:

These products are designed for use with cold potable water. Save with the express written permission of Atlantic Plastics Limited, no warranty is given for any other use. Dimensions and weights are provided for guidance only.

## Safety:

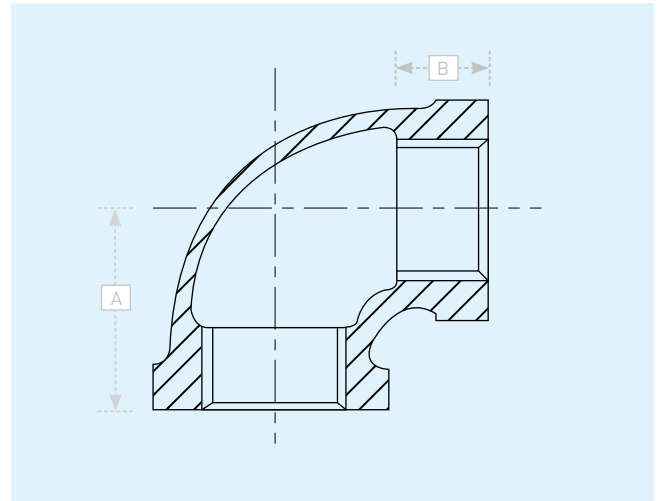
As with all industrial products it is important to take adequate safety precautions such as the use of adequate protective clothing like gloves, overalls, eye protection and safety footwear during installation and maintenance of this product.

## Technical Help:

For further technical data, product specifications and general information please contact Customer Service on +44 (0)1675 437 900.

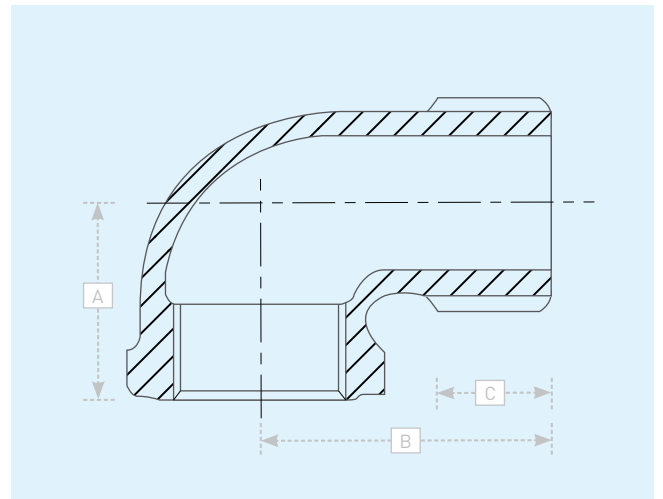


# 90° Equal Elbow Female x Female



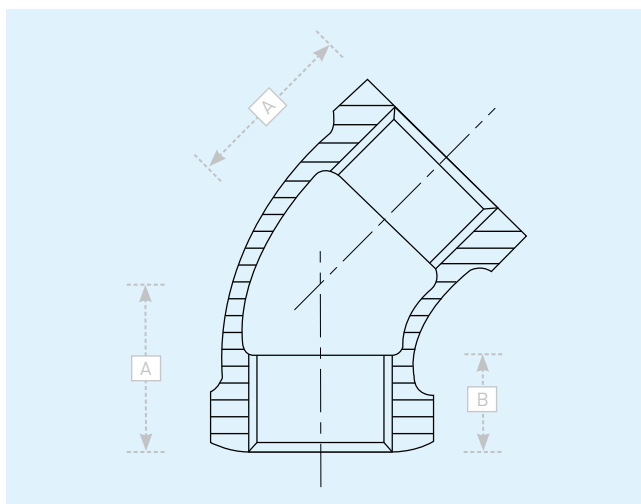
Part Number	Size	A (ins)	B (ins)	Pack Quantity			Product Weight (kg each)
				Bag	Box	Carton	
BSPE01F	1/4"	0.71	0.32	5	25	300	0.04
BSPE015F	3/8"	0.82	0.36	5	25	300	0.07
BSPE02F	1/2"	1.01	0.43	5	25	200	0.11
BSPE03F	3/4"	1.18	0.50	5	25	100	0.18
BSPE04F	1"	1.43	0.58	5	25	75	0.28
BSPE05F	1 1/4"	1.69	0.67	5	-	50	0.49
BSPE06F	1 1/2"	1.84	0.70	5	-	35	0.63
BSPE08F	2"	2.12	0.75	1	-	20	0.91
BSPE10F	2 1/2"	2.70	0.92	1	-	10	1.75
BSPE12F	3"	3.08	0.98	1	-	6	2.56
BSPE16F	4"	3.79	1.08	1	-	4	4.88

# 90° Elbow Male x Female



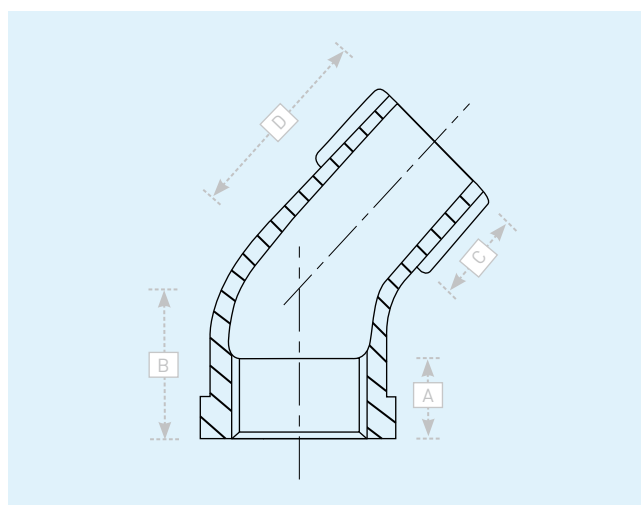
Part Number	Size	A (ins)	B (ins)	C (ins)	Pack Quantity			Product Weight (kg each)
					Bag	Box	Carton	
BSPE01MF	1/4"	0.71	1.11	0.41	5	25	250	0.04
BSPE015MF	3/8"	0.82	1.24	0.41	5	25	300	0.07
BSPE02MF	1/2"	1.01	1.48	0.54	5	25	200	0.10
BSPE03MF	3/4"	1.18	1.65	0.55	5	25	100	0.17
BSPE04MF	1"	1.43	1.98	0.69	5	25	75	0.26
BSPE05MF	1 1/4"	1.69	2.24	0.71	5	-	40	0.47
BSPE06MF	1 1/2"	1.84	2.46	0.73	5	-	35	0.60
BSPE08MF	2"	2.12	2.88	0.76	1	-	20	0.89
BSPE10MF	2 1/2"	2.70	3.86	1.14	1	-	10	1.81
BSPE12MF	3"	3.08	4.51	1.20	1	-	6	2.92
BSPE16MF	4"	3.79	5.69	1.30	1	-	4	5.20

## 45° Equal Elbow Female x Female



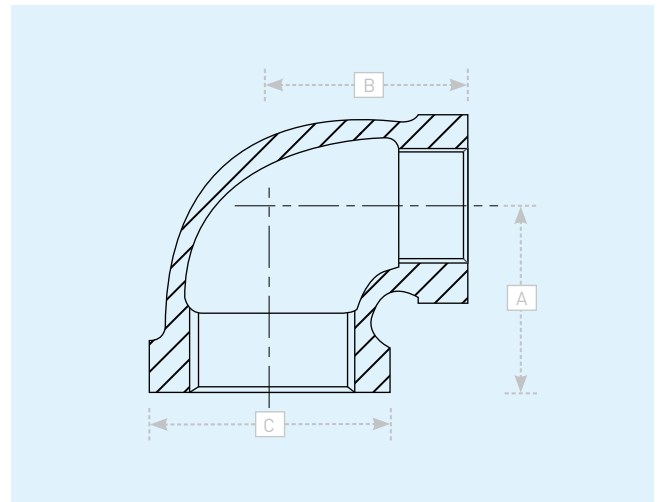
Part Number	Size	A (ins)	B (ins)	Pack Quantity			Product Weight (kg each)
				Bag	Box	Carton	
BSP45E01F	1/4"	0.56	0.32	5	25	100	0.04
BSP45E015F	3/8"	0.63	0.36	5	25	100	0.07
BSP45E02F	1/2"	0.78	0.43	5	25	100	0.10
BSP45E03F	3/4"	0.89	0.50	5	25	100	0.15
BSP45E04F	1"	1.06	0.58	5	25	50	0.27
BSP45E05F	1 1/4"	1.22	0.67	5	-	50	0.38
BSP45E06F	1 1/2"	1.30	0.70	5	-	40	0.54
BSP45E08F	2"	1.45	0.75	1	-	25	0.81
BSP45E10F	2 1/2"	1.95	0.92	1	-	12	1.44
BSP45E12F	3"	2.17	0.98	1	-	8	2.17
BSP45E16F	4"	2.61	1.08	1	-	4	3.63

## 45° Elbow Male x Female



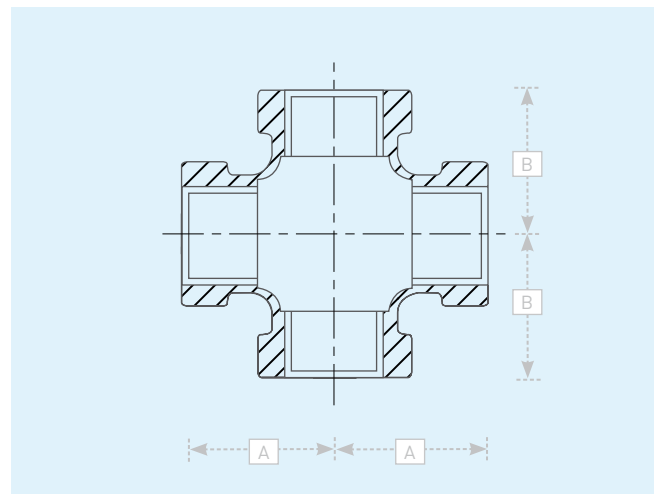
Part Number	Size	A (ins)	B (ins)	C (ins)	D (ins)	Pack Quantity			Product Weight (kg each)
						Bag	Box	Carton	
BSP45E01MF	1/4"	0.32	0.71	0.41	0.88	5	25	100	0.04
BSP45E015MF	3/8"	0.36	0.82	0.41	0.92	5	25	100	0.06
BSP45E02MF	1/2"	0.43	1.01	0.54	1.06	5	25	100	0.09
BSP45E03MF	3/4"	0.50	1.18	0.55	1.23	5	25	100	0.15
BSP45E04MF	1"	0.58	1.43	0.69	1.40	5	25	50	0.25
BSP45E05MF	1 1/4"	0.67	1.69	0.71	1.64	5	-	50	0.36
BSP45E06MF	1 1/2"	0.70	1.84	0.73	1.80	5	-	45	0.44
BSP45E08MF	2"	0.75	2.12	0.76	2.14	1	-	20	0.80

# 90° Reducing Elbow Female x Female



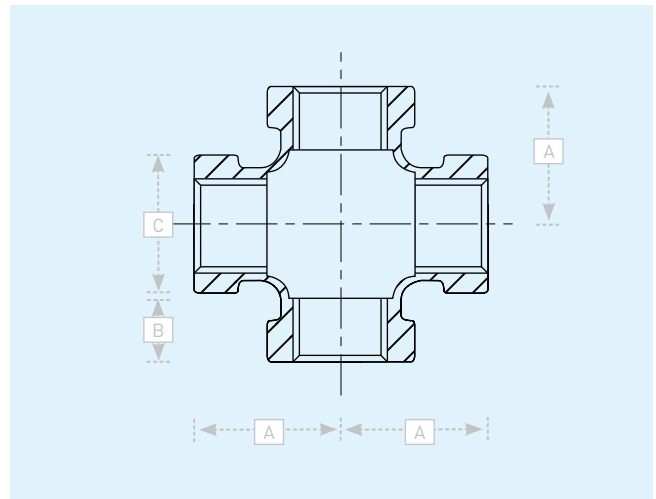
Part Number	Size	A (ins)	B (ins)	C (ins)	Pack Quantity			Product Weight (kg each)
					Bag	Box	Carton	
BSPE01501F	3/8" x 1/4"	0.75	0.78	1.00	5	25	100	0.07
BSPE0201F	1/2" x 1/4"	0.93	0.90	1.17	5	25	100	0.09
BSPE02015F	1/2" x 3/8"	0.93	0.90	1.17	5	25	100	0.10
BSPE0301F	3/4" x 1/4"	1.08	1.11	1.42	5	25	100	0.12
BSPE03015F	3/4" x 3/8"	1.08	1.11	1.42	5	25	100	0.14
BSPE0302F	3/4" x 1/2"	1.08	1.11	1.42	5	25	50	0.15
BSPE0401F	1" x 1/4"	1.20	1.24	1.72	5	25	50	0.17
BSPE0402F	1" x 1/2"	1.20	1.24	1.72	5	25	50	0.24
BSPE0403F	1" x 3/4"	1.30	1.31	1.72	5	25	50	0.24
BSPE0502F	1 1/4" x 1/2"	1.17	1.60	2.10	5	-	50	0.30
BSPE0503F	1 1/4" x 3/4"	1.42	1.60	2.10	5	-	50	0.33
BSPE0504F	1 1/4" x 1"	1.52	1.60	2.10	5	-	50	0.40
BSPE0602F	1 1/2" x 1/2"	1.17	1.48	2.38	5	-	50	0.32
BSPE0603F	1 1/2" x 3/4"	1.39	1.48	2.38	5	-	50	0.38
BSPE0604F	1 1/2" x 1"	1.55	1.72	2.38	5	-	50	0.45
BSPE0605F	1 1/2" x 1 1/4"	1.72	1.81	2.38	5	-	35	0.55
BSPE0802F	2" x 1/2"	1.60	2.07	2.92	1	-	25	0.50
BSPE0803F	2" x 3/4"	1.60	2.07	2.92	1	-	25	0.54
BSPE0804F	2" x 1"	1.72	2.07	2.92	1	-	25	0.70
BSPE0805F	2" x 1 1/4"	1.89	2.07	2.92	1	-	25	0.69
BSPE0806F	2" x 1 1/2"	1.89	2.07	2.92	1	-	25	0.85
BSPE1002F	2 1/2" x 1/2"	2.20	2.60	3.49	1	-	15	0.90
BSPE1004F	2 1/2" x 1"	2.20	2.60	3.49	1	-	20	1.15
BSPE1005F	2 1/2" x 1 1/4"	2.38	2.60	3.49	1	-	16	1.16
BSPE1006F	2 1/2" x 1 1/2"	2.38	2.60	2.92	1	-	15	1.19
BSPE1008F	2 1/2" x 2"	2.39	2.60	2.92	1	-	15	1.46
BSPE1206F	3" x 1 1/2"	2.83	2.99	4.20	1	-	6	1.42
BSPE1208F	3" x 2"	2.83	2.99	4.20	1	-	10	1.65
BSPE1210F	3" x 2 1/2"	2.83	2.99	4.20	1	-	10	1.86
BSPE1608F	4" x 2"	3.30	3.60	5.31	1	-	5	2.83
BSPE1610F	4" x 2 1/2"	3.30	3.60	5.31	1	-	5	2.87
BSPE1612F	4" x 3"	3.30	3.60	5.31	1	-	5	4.15

# Reducing Cross Female All Ends



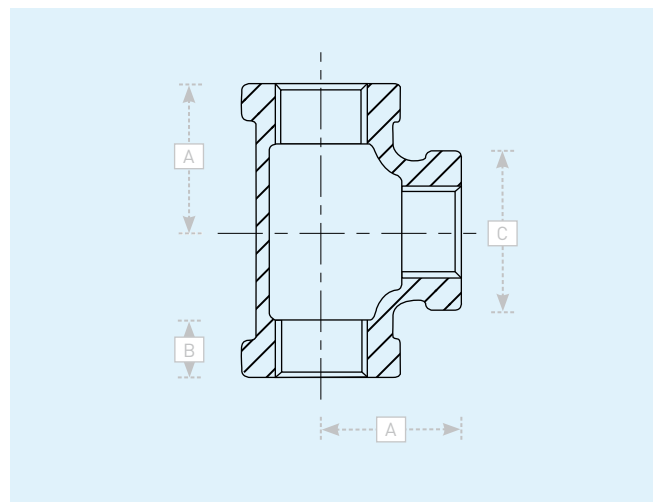
Part Number	Size	A (ins)	B (ins)	Pack Quantity			Product Weight (kg each)
				Bag	Box	Carton	
BSPC03030202F	3/4" x 3/4" x 1/2" x 1/2"	1.08	1.11	5	25	40	0.23

## Equal Cross Female All Ends



Part Number	Size	A (ins)	B (ins)	C (ins)	Pack Quantity			Product Weight (kg each)
					Bag	Box	Carton	
BSPC01F	1/4"	0.81	0.34	0.93	5	25	100	0.04
BSPC015F	3/8"	0.95	0.37	1.12	5	25	100	0.13
BSPC02F	1/2"	1.12	0.45	1.34	5	25	75	0.20
BSPC03F	3/4"	1.31	0.52	1.63	5	10	40	0.27
BSPC04F	1"	1.50	0.58	1.95	5	5	20	0.49
BSPC05F	1 1/4"	1.75	0.67	2.39	5	-	24	0.74
BSPC06F	1 1/2"	1.94	0.70	2.68	5	-	15	1.33
BSPC08F	2"	2.25	0.76	3.28	1	-	12	1.45
BSPC10F	2 1/2"	2.74	0.93	3.49	1	-	6	2.61

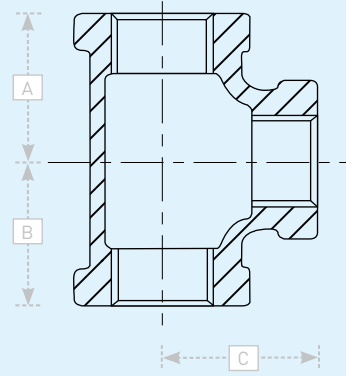
## Equal Tee Female All Ends



Part Number	Size	A (ins)	B (ins)	C (ins)	Pack Quantity			Product Weight (kg each)
					Bag	Box	Carton	
BSPT01F	1/4"	0.72	0.35	0.81	5	-	300	0.06
BSPT015F	3/8"	0.83	0.37	1.00	5	-	100	0.12
BSPT02F	1/2"	1.03	0.45	1.17	5	-	100	0.16
BSPT03F	3/4"	1.19	0.52	1.42	5	-	75	0.24
BSPT04F	1"	1.43	0.60	1.72	5	-	40	0.41
BSPT05F	1 1/4"	1.71	0.67	2.10	5	-	35	0.63
BSPT06F	1 1/2"	1.87	0.70	2.38	5	-	24	0.79
BSPT08F	2"	2.14	0.76	2.92	1	-	15	1.31
BSPT10F	2 1/2"	2.74	0.93	3.49	1	-	8	2.38
BSPT12F	3"	3.10	1.00	4.20	1	-	4	3.34
BSPT16F	4"	3.80	1.10	5.31	1	-	2	6.02

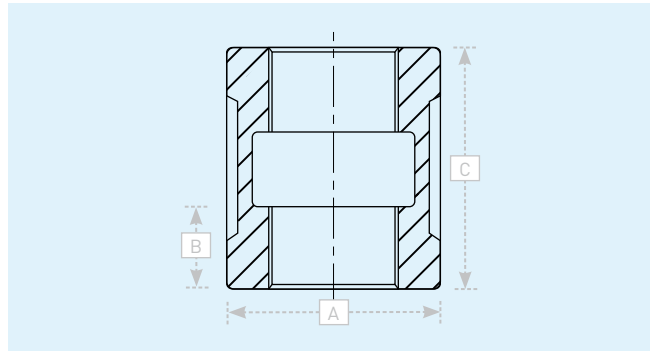


# Reducing Tee Female All Ends



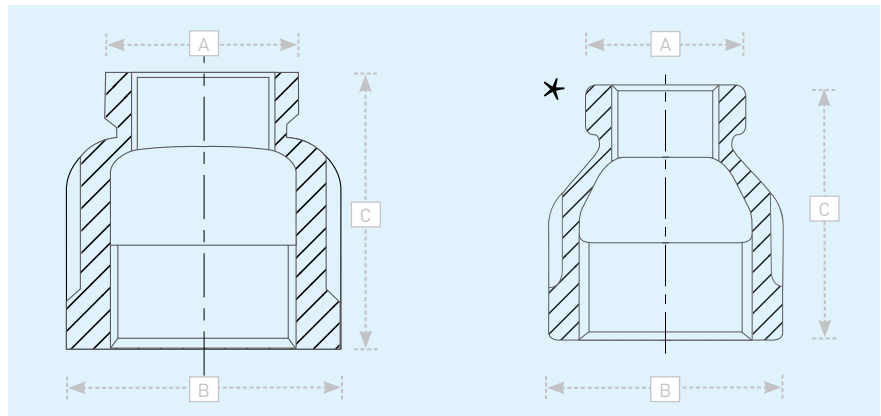
Part Number	Size (inlet x outlet x branch)	A (ins)	B (ins)	C (ins)	Pack Quantity			Product Weight (kg each)
					Bag	Box	Carton	
BSPT01501501F	3/8" x 3/8" x 1/4"	0.75	0.75	0.78	5	25	100	0.09
BSPT020201F	1/2" x 1/2" x 1/4"	0.87	0.87	0.87	5	25	100	0.13
BSPT0202015F	1/2" x 1/2" x 3/8"	0.93	0.93	0.90	5	25	100	0.13
BSPT030301F	3/4" x 3/4" x 1/4"	1.05	1.05	1.08	5	25	100	0.18
BSPT0303015F	3/4" x 3/4" x 3/8"	1.00	1.00	1.00	5	25	100	0.21
BSPT030302F	3/4" x 3/4" x 1/2"	1.08	1.08	1.11	5	25	100	0.21
BSPT040401F	1" x 1" x 1/4"	1.04	1.04	1.13	5	10	50	0.26
BSPT0404015F	1" x 1" x 3/8"	1.18	1.18	1.27	5	10	50	0.29
BSPT040402F	1" x 1" x 1/2"	1.20	1.20	1.24	5	10	40	0.31
BSPT040403F	1" x 1" x 3/4"	1.30	1.30	1.31	5	10	40	0.33
BSPT0505015F	1 1/4" x 1 1/4" x 3/8"	1.45	1.45	1.62	5	-	50	0.39
BSPT050502F	1 1/4" x 1 1/4" x 1/2"	1.34	1.34	1.53	5	-	45	0.43
BSPT050503F	1 1/4" x 1 1/4" x 3/4"	1.30	1.30	1.31	5	-	40	0.47
BSPT050504F	1 1/4" x 1 1/4" x 1"	1.58	1.58	1.67	5	-	35	0.53
BSPT060602F	1 1/2" x 1 1/2" x 1/2"	1.32	1.32	1.53	5	-	40	0.55
BSPT060603F	1 1/2" x 1 1/2" x 3/4"	1.42	1.42	1.60	5	-	30	0.62
BSPT060604F	1 1/2" x 1 1/2" x 1"	1.55	1.55	1.72	5	-	30	0.65
BSPT060605F	1 1/2" x 1 1/2" x 1 1/4"	1.72	1.72	1.81	5	-	26	0.69
BSPT080802F	2" x 2" x 1/2"	1.49	1.49	1.88	1	-	25	0.85
BSPT080803F	2" x 2" x 3/4"	1.47	1.47	1.84	1	-	25	0.88
BSPT080804F	2" x 2" x 1"	1.60	1.60	1.98	1	-	25	0.98
BSPT080805F	2" x 2" x 1 1/4"	1.77	1.77	2.04	1	-	20	1.00
BSPT080806F	2" x 2" x 1 1/2"	2.02	2.02	2.16	1	-	20	1.10
BSPT101004F	2 1/2" x 2 1/2" x 1"	2.16	2.16	2.51	1	-	16	1.50
BSPT101005F	2 1/2" x 2 1/2" x 1 1/4"	2.16	2.16	2.51	1	-	15	1.59
BSPT101006F	2 1/2" x 2 1/2" x 1 1/2"	2.39	2.39	2.60	1	-	15	1.55
BSPT101008F	2 1/2" x 2 1/2" x 2"	2.52	2.52	2.89	1	-	12	2.04
BSPT121208F	3" x 3" x 2"	2.83	2.83	2.99	1	-	5	2.60
BSPT121210F	3" x 3" x 2 1/2"	2.74	2.74	3.42	1	-	5	2.50
BSPT161608F	4" x 4" x 2"	3.05	3.05	3.51	1	-	4	3.45
BSPT161610F	4" x 4" x 2 1/2"	3.30	3.30	3.60	1	-	4	4.41
BSPT161612F	4" x 4" x 3"	3.30	3.30	3.60	1	-	4	3.90
BSPT020203F	1/2" x 1/2" x 3/4"	1.22	1.22	1.20	5	25	100	0.20
BSPT030202F	3/4" x 1/2" x 1/2"	1.20	1.12	1.22	5	25	100	0.21
BSPT030203F	3/4" x 1/2" x 3/4"	1.37	1.31	1.45	5	-	100	0.23
BSPT030304F	3/4" x 3/4" x 1"	1.22	1.22	1.20	5	-	50	0.32
BSPT040202F	1" x 1/2" x 1/2"	1.31	1.22	1.31	5	-	50	0.26
BSPT040203F	1" x 1/2" x 3/4"	1.45	1.45	1.37	5	-	50	0.30
BSPT040204F	1" x 1/2" x 1"	1.26	1.12	1.36	5	-	50	0.37
BSPT040302F	1" x 3/4" x 1/2"	1.26	1.20	1.36	5	-	50	0.27
BSPT040303F	1" x 3/4" x 3/4"	1.37	1.31	1.45	5	-	50	0.30
BSPT040304F	1" x 3/4" x 1"	1.50	1.45	1.50	5	-	50	0.42
BSPT040405F	1" x 1" x 1 1/4"	1.67	1.67	1.58	5	-	35	0.54
BSPT040504F	1" x 1 1/4" x 1"	1.67	1.67	1.67	5	-	25	0.49
BSPT050205F	1 1/4" x 1/2" x 1 1/4"	1.69	1.40	1.69	5	-	45	0.55
BSPT050302F	1 1/4" x 3/4" x 1/2"	1.45	1.31	1.62	5	-	10	0.37
BSPT050304F	1 1/4" x 3/4" x 1"	1.58	1.45	1.50	5	-	45	0.50
BSPT050305F	1 1/4" x 3/4" x 1 1/4"	1.75	1.62	1.75	5	-	35	0.55
BSPT050404F	1 1/4" x 1" x 1"	1.58	1.50	1.67	5	-	35	0.45
BSPT050405F	1 1/4" x 1" x 1 1/4"	1.75	1.67	1.75	5	-	35	0.44
BSPT060206F	1 1/2" x 1/2" x 1 1/2"	1.94	1.66	1.94	5	-	30	0.72
BSPT060505F	1 1/2" x 1 1/4" x 1 1/4"	1.82	1.82	1.88	5	-	25	0.84
BSPT060506F	1 1/2" x 1 1/4" x 1 1/2"	1.94	1.88	1.94	5	-	26	0.79
BSPT080208F	2" x 1 1/2" x 2"	2.25	1.88	2.25	1	-	20	1.04
BSPT080308F	2" x 3/4" x 2"	2.25	1.97	2.25	1	-	20	1.13

# Equal Socket Female x Female



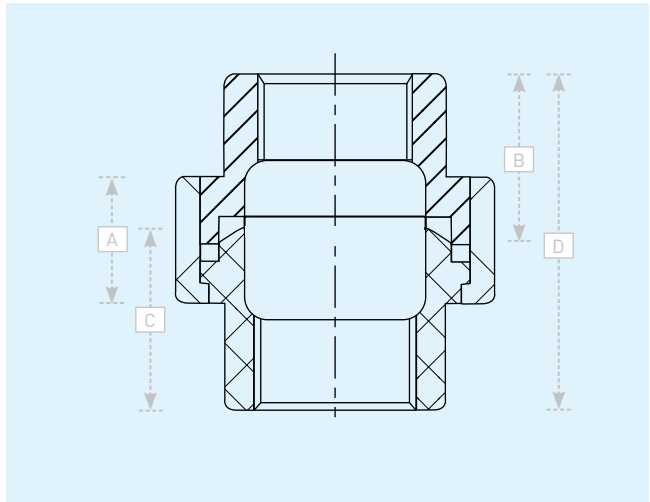
Part Number	Size	A (ins)	B (ins)	C (ins)	Pack Quantity			Product Weight (kg each)
					Bag	Box	Carton	
BSPS01F	1/4"	0.81	0.32	0.97	5	25	600	0.03
BSPS015F	3/8"	1.00	0.36	1.05	5	25	300	0.06
BSPS02F	1/2"	1.17	0.43	1.29	5	25	200	0.09
BSPS03F	3/4"	1.42	0.50	1.43	5	25	100	0.13
BSPS04F	1"	1.72	0.58	1.68	5	25	100	0.21
BSPS05F	1 1/4"	2.10	0.67	1.86	5	25	75	0.33
BSPS06F	1 1/2"	2.38	0.70	1.92	5	-	50	0.44
BSPS08F	2"	2.92	0.75	2.20	1	-	30	0.67
BSPS10F	2 1/2"	3.49	0.92	2.88	1	-	18	1.28
BSPS12F	3"	4.20	0.98	3.18	1	-	12	1.76
BSPS16F	4"	5.31	1.08	3.69	1	-	8	2.97

# Reducing Socket Female x Female



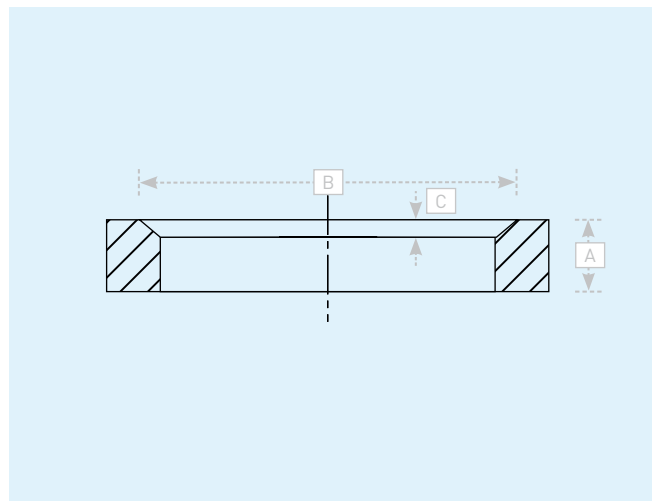
Part Number	Size	A (ins)	B (ins)	C (ins)	Pack Quantity			Product Weight (kg each)
					Bag	Box	Carton	
BSPS01501F	3/8" x 1/4"	0.81	1.00	0.92	5	25	150	0.05
BSPS0201F	1/2" x 1/4"	0.81	1.17	1.17	5	25	100	0.08
BSPS02015F	1/2" x 3/8"	1.00	1.17	1.17	5	25	200	0.07
BSPS0301F	3/4" x 1/4"	0.81	1.42	1.35	5	25	100	0.11
BSPS03015F	3/4" x 3/8"	1.00	1.42	1.35	5	25	100	0.11
BSPS0302F	3/4" x 1/2"	1.17	1.42	1.35	5	25	175	0.13
BSPS0401F	1" x 1/4"	0.81	1.72	1.56	5	25	50	0.17
BSPS04015F	1" x 3/8"	1.00	1.72	1.56	5	25	50	0.18
BSPS0402F	1" x 1/2"	1.17	1.72	1.56	5	25	75	0.17
BSPS0403F	1" x 3/4"	1.42	1.72	1.56	5	25	100	0.18
BSPS0502F	1 1/4" x 1/2"	1.17	2.10	1.77	5	-	50	0.25
BSPS0503F	1 1/4" x 3/4"	1.42	2.10	1.77	5	-	90	0.26
BSPS0504F	1 1/4" x 1"	1.72	2.10	1.77	5	-	70	0.28
BSPS0602F	1 1/2" x 1/2"	1.17	2.38	1.80	5	-	50	0.35
BSPS0603F	1 1/2" x 3/4"	1.42	2.38	1.80	5	-	50	0.33
BSPS0604F	1 1/2" x 1"	1.72	2.38	1.80	5	-	70	0.34
BSPS0605F	1 1/2" x 1 1/4"	2.10	2.38	1.80	5	-	50	0.38
BSPS0802F	2" x 1/2"	1.17	2.92	2.03	1	-	25	0.53
BSPS0803F	2" x 3/4"	1.42	2.92	2.03	1	-	25	0.49
BSPS0804F	2" x 1"	1.72	2.92	2.03	1	-	25	0.52
BSPS0805F	2" x 1 1/4"	2.10	2.92	2.03	1	-	25	0.52
BSPS0806F	2" x 1 1/2"	2.38	2.92	2.03	1	-	43	0.57
BSPS1004F	2 1/2" x 1"	1.72	3.49	3.15	1	-	25	0.91
BSPS1005F	2 1/2" x 1 1/4"	2.10	3.49	3.15	1	-	20	0.92
BSPS1006F	2 1/2" x 1 1/2"	2.38	3.49	3.15	1	-	20	1.16
BSPS1008F	2 1/2" x 2"	2.92	3.49	3.15	1	-	20	1.10
BSPS1204F	*3" x 1"	1.72	4.20	3.69	1	-	15	1.01
BSPS1206F	*3" x 1 1/2"	2.92	4.20	3.69	1	-	15	1.07
BSPS1208F	3" x 2"	2.92	4.20	3.69	1	-	12	1.65
BSPS1210F	3" x 2 1/2"	3.49	4.20	3.69	1	-	12	1.79
BSPS1608F	*4" x 2"	2.92	5.31	4.38	1	-	9	2.63
BSPS1612F	4" x 3"	4.20	5.31	4.38	1	-	5	2.84

# Straight Union (Flat Joint) Female x Female



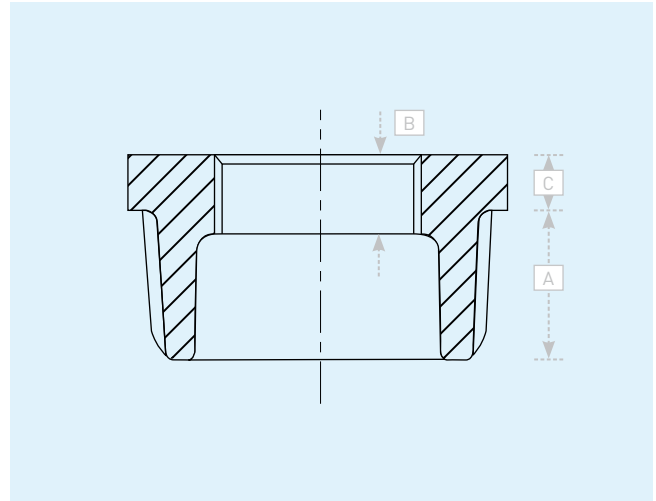
Part Number	Size	A (ins)	B (ins)	C (ins)	D (ins)	Pack Quantity			Product Weight (kg each)
						Bag	Box	Carton	
BSPU01	1/4"	0.53	0.68	0.78	1.26	5	25	100	0.11
BSPU015	3/8"	0.62	0.82	0.86	1.49	5	25	100	0.18
BSPU02	1/2"	0.67	0.84	0.88	1.57	5	25	75	0.21
BSPU03	3/4"	0.73	0.98	1.06	1.90	5	25	75	0.30
BSPU04	1"	0.78	1.12	1.20	2.12	5	10	40	0.45
BSPU05	1 1/4"	0.94	1.26	1.37	2.36	5	-	35	0.65
BSPU06	1 1/2"	1.02	1.35	1.53	2.67	5	-	25	0.81
BSPU08	2"	1.06	1.49	1.71	2.99	1	-	18	1.36
BSPU10	2 1/2"	1.16	1.67	1.87	3.40	1	-	10	2.10
BSPU12	3"	1.31	1.90	1.98	3.95	1	-	8	3.01
BSPU16	4"	1.57	2.36	2.44	4.64	1	-	3	5.20

# BSP Locknut



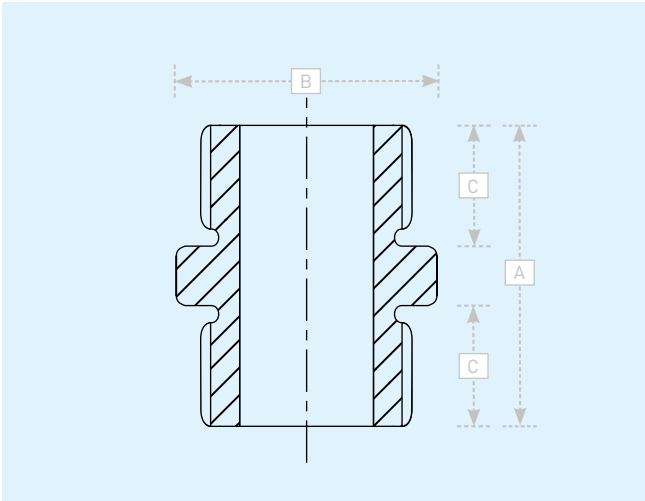
Part Number	Size	A (ins)	B (ins)	C (ins)	Pack Quantity			Product Weight (kg each)
					Bag	Box	Carton	
BSPL01	1/4"	0.25	0.66	0.06	5	25	225	0.01
BSPL015	3/8"	0.28	0.77	0.06	5	25	100	0.02
BSPL02	1/2"	0.31	0.97	0.06	5	25	450	0.05
BSPL03	3/4"	0.34	1.23	0.06	5	25	100	0.06
BSPL04	1"	0.38	1.50	0.06	5	25	50	0.09
BSPL05	1 1/4"	0.42	1.86	0.06	5	-	50	0.12
BSPL06	1 1/2"	0.47	2.12	0.06	5	-	50	0.24
BSPL08	2"	0.53	2.63	0.09	1	-	50	0.28
BSPL10	2 1/2"	0.59	3.18	0.09	1	-	25	0.50
BSPL12	3"	0.67	3.84	0.09	1	-	25	0.55
BSPL16	4"	0.80	5.00	0.13	1	-	25	0.81

# Reducing Hexagon Bush



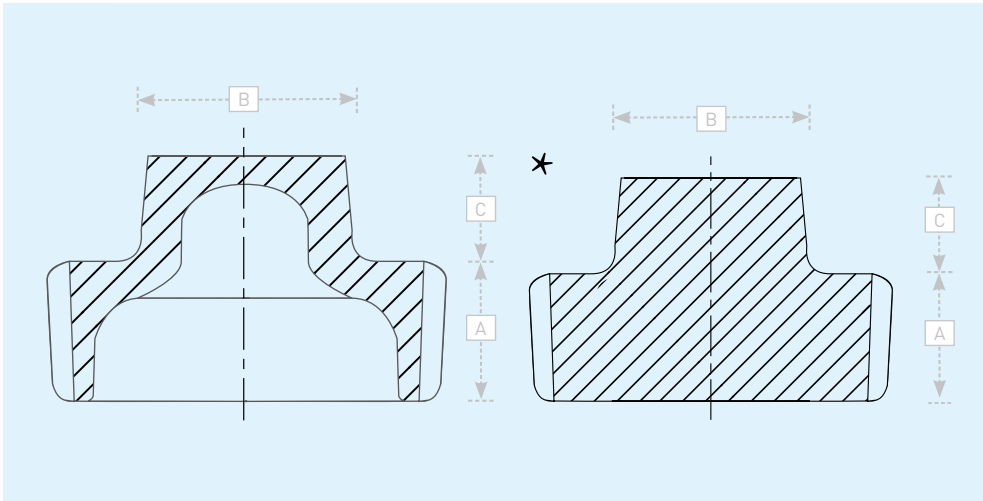
Part Number	Size	A (ins)	B (ins)	C (ins)	Pack Quantity			Product Weight (kg each)
					Bag	Box	Carton	
BSPB01005	1/4" x 1/8"	0.44	0.26	0.14	5	25	600	0.01
BSPB015005	3/8" x 1/8"	0.48	0.25	0.16	5	25	425	0.03
BSPB01501	3/8" x 1/4"	0.48	0.40	0.16	5	25	600	0.02
BSPB02005	1/2" x 1/8"	0.56	0.25	0.19	5	25	450	0.05
BSPB0201	1/2" x 1/4"	0.56	0.32	0.19	5	25	450	0.04
BSPB02015	1/2" x 3/8"	0.56	0.41	0.19	5	25	450	0.04
BSPB0301	3/4" x 1/4"	0.63	0.32	0.22	5	25	300	0.07
BSPB03015	3/4" x 3/8"	0.63	0.36	0.22	5	25	300	0.07
BSPB0302	3/4" x 1/2"	0.63	0.53	0.22	5	25	300	0.06
BSPB0401	1" x 1/4"	0.75	0.32	0.30	5	25	50	0.11
BSPB04015	1" x 3/8"	0.75	0.36	0.30	5	25	125	0.10
BSPB0402	1" x 1/2"	0.75	0.43	0.25	5	25	150	0.12
BSPB0403	1" x 3/4"	0.75	0.50	0.25	5	25	150	0.10
BSPB0501	1 1/4" x 1/4"	0.80	0.32	0.30	5	-	50	0.15
BSPB05015	1 1/4" x 3/8"	0.80	0.36	0.34	5	-	50	0.13
BSPB0502	1 1/4" x 1/2"	0.80	0.43	0.34	5	-	120	0.16
BSPB0503	1 1/4" x 3/4"	0.80	0.50	0.28	5	-	115	0.21
BSPB0504	1 1/4" x 1"	0.80	0.58	0.28	5	-	120	0.15
BSPB0601	1 1/2" x 1/4"	0.83	0.32	0.34	5	-	50	0.13
BSPB06015	1 1/2" x 3/8"	0.83	0.36	0.34	5	-	50	0.20
BSPB0602	1 1/2" x 1/2"	0.83	0.43	0.37	5	-	105	0.23
BSPB0603	1 1/2" x 3/4"	0.83	0.50	0.37	5	-	105	0.23
BSPB0604	1 1/2" x 1"	0.83	0.58	0.31	5	-	90	0.27
BSPB0605	1 1/2" x 1 1/4"	0.83	0.71	0.31	5	-	100	0.19
BSPB08015	2" x 3/8"	0.88	0.36	0.30	1	-	25	0.43
BSPB0802	2" x 1/2"	0.88	0.43	0.41	1	-	83	0.30
BSPB0803	2" x 3/4"	0.88	0.50	0.41	1	-	76	0.33
BSPB0804	2" x 1"	0.88	0.58	0.41	1	-	67	0.37
BSPB0805	2" x 1 1/4"	0.88	0.67	0.34	1	-	59	0.42
BSPB0806	2" x 1 1/2"	0.88	0.70	0.34	1	-	78	0.32
BSPB1002	2 1/2" x 1/2"	1.07	0.43	0.41	1	-	25	0.49
BSPB1003	2 1/2" x 3/4"	1.07	0.50	0.41	1	-	25	0.50
BSPB1004	2 1/2" x 1"	1.07	0.58	0.44	1	-	25	0.54
BSPB1005	2 1/2" x 1 1/4"	1.07	0.67	0.44	1	-	25	0.76
BSPB1006	2 1/2" x 1 1/2"	1.07	0.75	0.37	1	-	25	0.58
BSPB1008	2 1/2" x 2"	1.07	0.75	0.37	1	-	46	0.54
BSPB1204	3" x 1"	1.13	0.58	0.41	1	-	25	0.74
BSPB1206	3" x 1 1/2"	1.13	0.75	0.48	1	-	25	0.90
BSPB1208	3" x 2"	1.13	0.75	0.48	1	-	21	1.18
BSPB1210	3" x 2 1/2"	1.13	0.92	0.40	1	-	24	0.90
BSPB1606	4" x 1 1/2"	1.22	0.75	0.60	1	-	19	1.28
BSPB1608	4" x 2"	1.22	0.75	0.60	1	-	17	1.43
BSPB1610	4" x 2 1/2"	1.22	0.92	0.60	1	-	15	1.61
BSPB1612	4" x 3"	1.22	0.98	0.50	1	-	16	1.53

# Equal Hexagon Nipple



Part Number	Size	A (ins)	B (ins)	C (ins)	Pack Quantity			Product Weight (kg each)
					Bag	Box	Carton	
BSPN01	1/4"	1.34	0.67	0.47	5	25	350	0.03
BSPN015	3/8"	1.42	0.83	0.51	5	25	175	0.05
BSPN02	1/2"	1.77	1.06	0.73	5	25	200	0.08
BSPN03	3/4"	1.89	1.26	0.77	5	25	100	0.13
BSPN04	1"	2.09	1.50	0.85	5	25	80	0.20
BSPN05	1 1/4"	2.21	1.89	0.91	5	-	35	0.28
BSPN06	1 1/2"	2.36	2.17	0.95	5	-	25	0.35
BSPN08	2"	2.76	2.76	1.10	1	-	10	0.52
BSPN10	2 1/2"	2.99	3.35	1.22	1	-	6	1.08
BSPN12	3"	3.31	3.94	1.34	1	-	4	1.52
BSPN16	4"	3.74	5.12	1.52	1	-	2	2.21

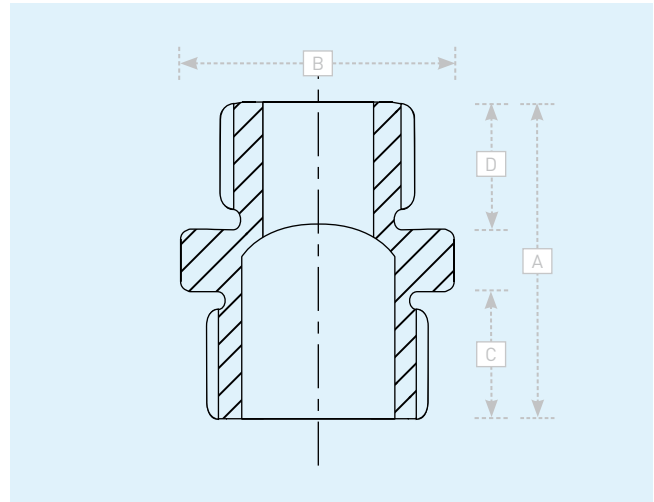
# Plain Plug Male



Part Number	Size	A (ins)	B (ins)	C (ins)	Pack Quantity			Product Weight (kg each)
					Bag	Box	Carton	
BSPP01M	*1/4"	0.41	0.37	0.28	5	25	850	0.02
BSPP015M	*3/8"	0.41	0.43	0.31	5	25	325	0.03
BSPP02M	1/2"	0.54	0.56	0.38	5	25	500	0.05
BSPP03M	3/4"	0.55	0.62	0.44	5	25	300	0.07
BSPP04M	1"	0.69	0.81	0.50	5	25	200	0.12
BSPP05M	1 1/4"	0.71	0.93	0.56	5	-	140	0.17
BSPP06M	1 1/2"	0.73	1.12	0.62	5	-	95	0.26
BSPP08M	2"	0.76	1.31	0.68	1	-	50	0.34
BSPP10M	2 1/2"	1.07	1.50	0.74	1	-	25	0.60
BSPP12M	3"	1.13	1.68	0.80	1	-	25	0.86
BSPP16M	4"	1.22	2.25	0.92	1	-	17	1.45

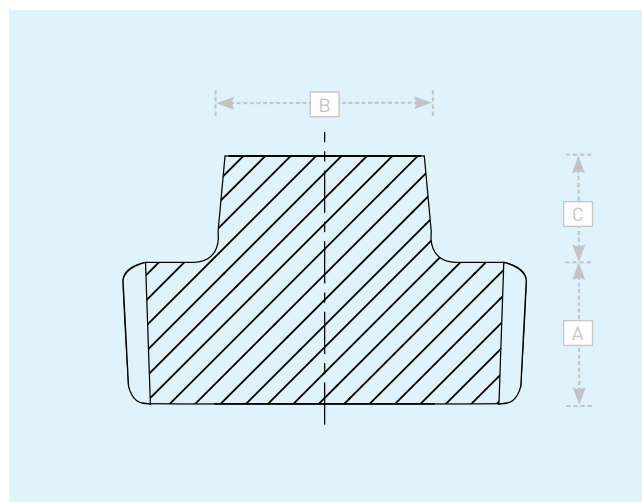


# Reducing Hexagon Nipple



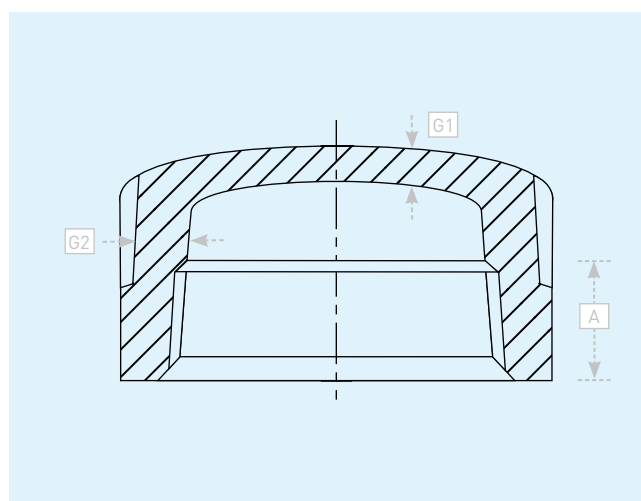
Part Number	Size	A (ins)	B (ins)	C (ins)	D (ins)	Pack Quantity			Product Weight (kg each)
						Bag	Box	Carton	
BSPN01501	3/8" x 1/4"	1.50	0.75	0.59	0.55	5	25	100	0.05
BSPN0201	1/2" x 1/4"	1.73	0.87	0.75	0.63	5	25	100	0.07
BSPN02015	1/2" x 3/8"	1.73	0.87	0.75	0.63	5	25	100	0.07
BSPN03015	3/4" x 3/8"	1.85	1.14	0.79	0.65	5	25	100	0.12
BSPN0302	3/4" x 1/2"	1.85	1.18	0.81	0.69	5	25	100	0.12
BSPN0402	1" x 1/2"	2.09	1.42	0.97	0.73	5	25	50	0.14
BSPN0403	1" x 3/4"	2.09	1.42	0.89	0.81	5	25	150	0.15
BSPN0502	1 1/4" x 1/2"	2.25	1.77	0.89	0.82	5	-	50	0.24
BSPN0503	1 1/4" x 3/4"	2.24	1.81	1.02	0.83	5	-	50	0.30
BSPN0504	1 1/4" x 1"	2.24	1.81	0.98	0.87	5	-	50	0.29
BSPN0603	1 1/2" x 3/4"	2.32	1.97	1.02	0.83	5	-	50	0.42
BSPN0604	1 1/2" x 1"	2.32	1.97	0.98	0.87	5	-	50	0.31
BSPN0605	1 1/2" x 1 1/4"	2.32	1.97	0.98	0.87	5	-	50	0.40
BSPN0802	2" x 1/2"	2.68	2.56	1.30	0.83	1	-	25	0.46
BSPN0803	2" x 3/4"	2.68	2.56	1.26	0.87	1	-	25	0.46
BSPN0804	2" x 1"	2.68	2.56	1.18	0.95	1	-	25	0.43
BSPN0805	2" x 1 1/4"	2.68	2.56	1.18	0.95	1	-	25	0.42
BSPN0806	2" x 1 1/2"	2.68	2.56	1.18	0.95	1	-	25	0.53
BSPN1004	2 1/2" x 1"	2.95	3.15	1.38	0.95	1	-	25	0.84
BSPN1005	2 1/2" x 1 1/4"	2.95	3.15	1.30	1.02	1	-	25	0.81
BSPN1006	2 1/2" x 1 1/2"	2.95	3.15	1.30	1.02	1	-	25	0.90
BSPN1008	2 1/2" x 2"	2.95	3.15	1.22	1.10	1	-	25	0.82
BSPN1206	3" x 1 1/2"	3.27	3.74	1.54	1.10	1	-	16	1.20
BSPN1208	3" x 2"	3.27	3.74	1.46	1.18	1	-	14	1.15
BSPN1210	3" x 2 1/2"	3.27	3.74	1.38	1.26	1	-	12	1.14
BSPN1608	4" x 2"	3.74	5.12	1.85	1.22	1	-	6	2.14
BSPN1610	4" x 2 1/2"	3.35	4.72	1.46	1.32	1	-	5	2.02
BSPN1612	4" x 3"	3.74	5.12	1.65	1.42	1	-	4	1.88

## Solid Plain Plug Male



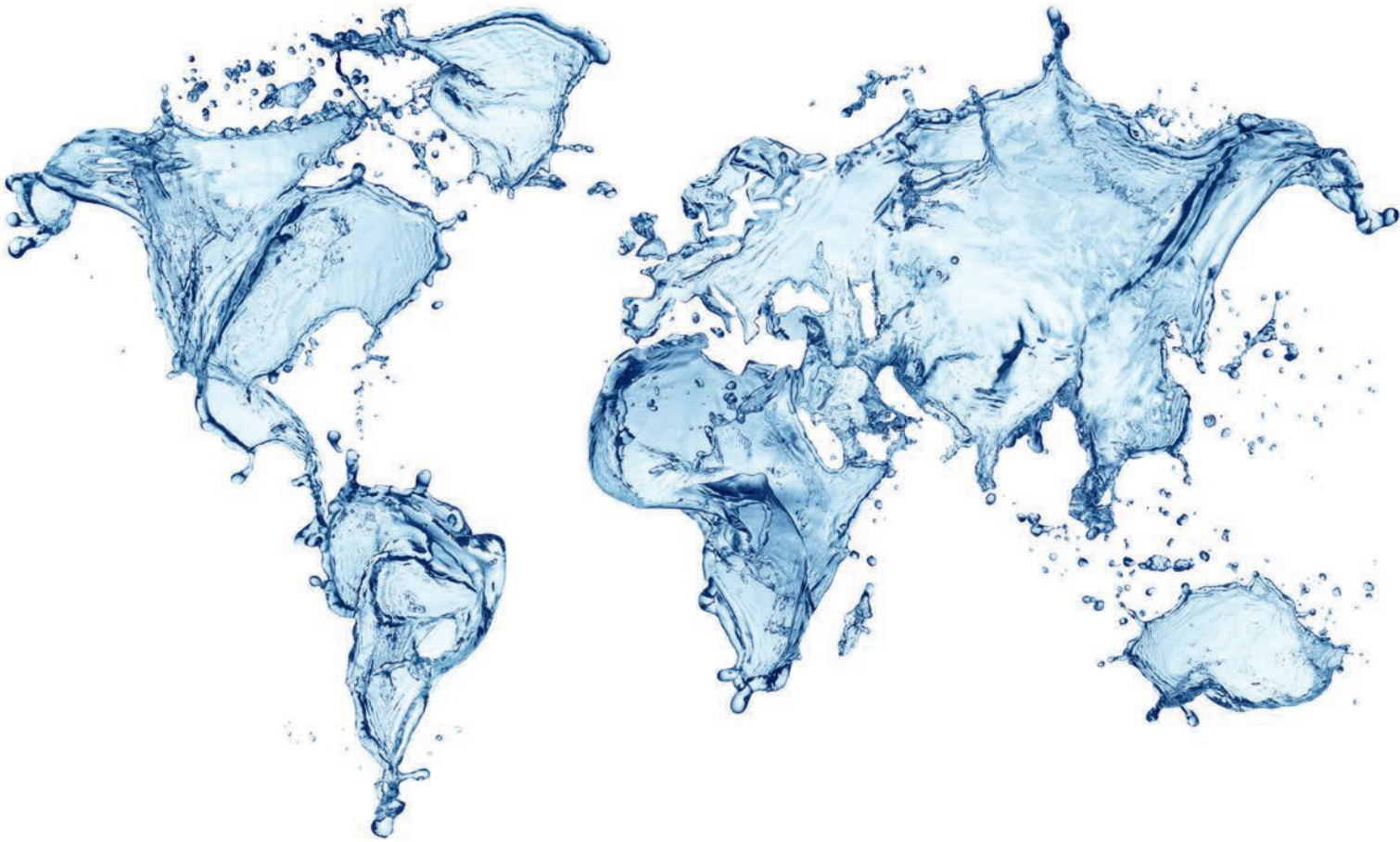
Part Number	Size	A (ins)	B (ins)	C (ins)	Pack Quantity			Product Weight (kg each)
					Bag	Box	Carton	
BSPSP02M	1/2"	0.54	0.56	0.38	5	-	100	0.06
BSPSP03M	3/4"	0.55	0.62	0.44	5	-	100	0.09
BSPSP04M	1"	0.69	0.81	0.50	5	-	50	0.17
BSPSP05M	1 1/4"	0.71	0.93	0.56	5	-	50	0.27
BSPSP06M	1 1/2"	0.73	1.12	0.62	5	-	50	0.40
BSPSP08M	2"	0.76	1.31	0.68	1	-	25	0.63
BSPSP10M	2 1/2"	1.07	1.50	0.74	1	-	23	1.07
BSPSP12M	3"	1.13	1.68	0.80	1	-	13	1.85
BSPSP16M	4"	1.22	2.25	0.92	1	-	7	3.40

## Blank Cap



Part Number	Size	A (ins)	G1 (ins)	G2 (ins)	Pack Quantity			Product Weight (kg each)
					Bag	Box	Carton	
BSPCA01	1/4"	0.32	0.08	0.10	5	25	100	0.03
BSPCA015	3/8"	0.36	0.09	0.11	5	25	100	0.04
BSPCA02	1/2"	0.45	0.09	0.12	5	25	300	0.06
BSPCA03	3/4"	0.50	0.10	0.13	5	25	200	0.09
BSPCA04	1"	0.58	0.11	0.15	5	25	150	0.15
BSPCA05	1 1/4"	0.67	0.12	0.17	5	-	75	0.25
BSPCA06	1 1/2"	0.70	0.13	0.19	5	-	85	0.29
BSPCA08	2"	0.75	0.15	0.22	1	-	46	0.53
BSPCA10	2 1/2"	0.92	0.17	0.25	1	-	25	0.88
BSPCA12	3"	0.98	0.19	0.29	1	-	20	1.23
BSPCA16	4"	1.08	0.22	0.36	1	-	10	1.45

# Your Choice in Waterflow Control



TALIS is always the number one choice whenever water transport or control is required. TALIS has the best solution for water and energy management, as well as for industry and municipal applications. With a varied range of products we offer comprehensive solutions for the entire water cycle. From hydrants to butterfly valves. From the knife-gate valves to the needle valves. Our experience, innovative technology, global expertise and individual consultation process form the basis for developing sustainable solutions for the efficient handling of the vital resource "water".



## TALIS UK

Edison Road  
Hams Hall Distribution Park  
Coleshill, Birmingham  
B46 1AB United Kingdom

Tel: +44 (0) 1675 437900

Fax: +44 (0) 1675 437909

Email: [enquiries@talis-group.com](mailto:enquiries@talis-group.com)

Web: [www.talis-group.com](http://www.talis-group.com)