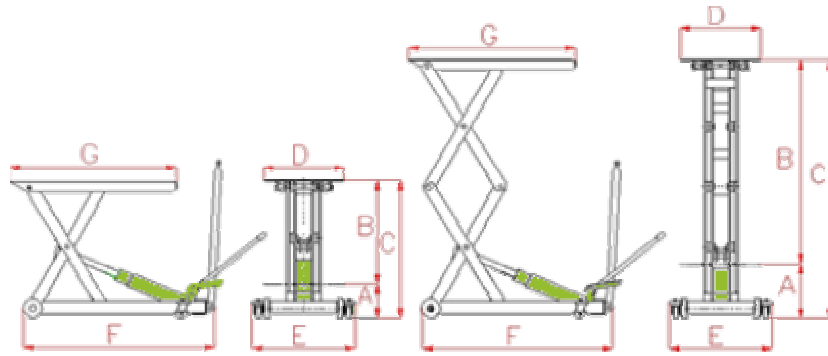


## HYDRAULIC LIFTING TABLES



	Capacity	Stroke	Model	A	B	C	D	E	F	G	Weight
	Kg	mm		mm	mm	mm	mm	mm	mm	mm	Kg
<input type="checkbox"/>	500	1015	<b>Double Lift</b>	270	1285	1555	520	666	1242	1080	182
<input type="checkbox"/>	1500	440	<b>Single Lift</b>	235	675	910	520	666	1242	1080	141