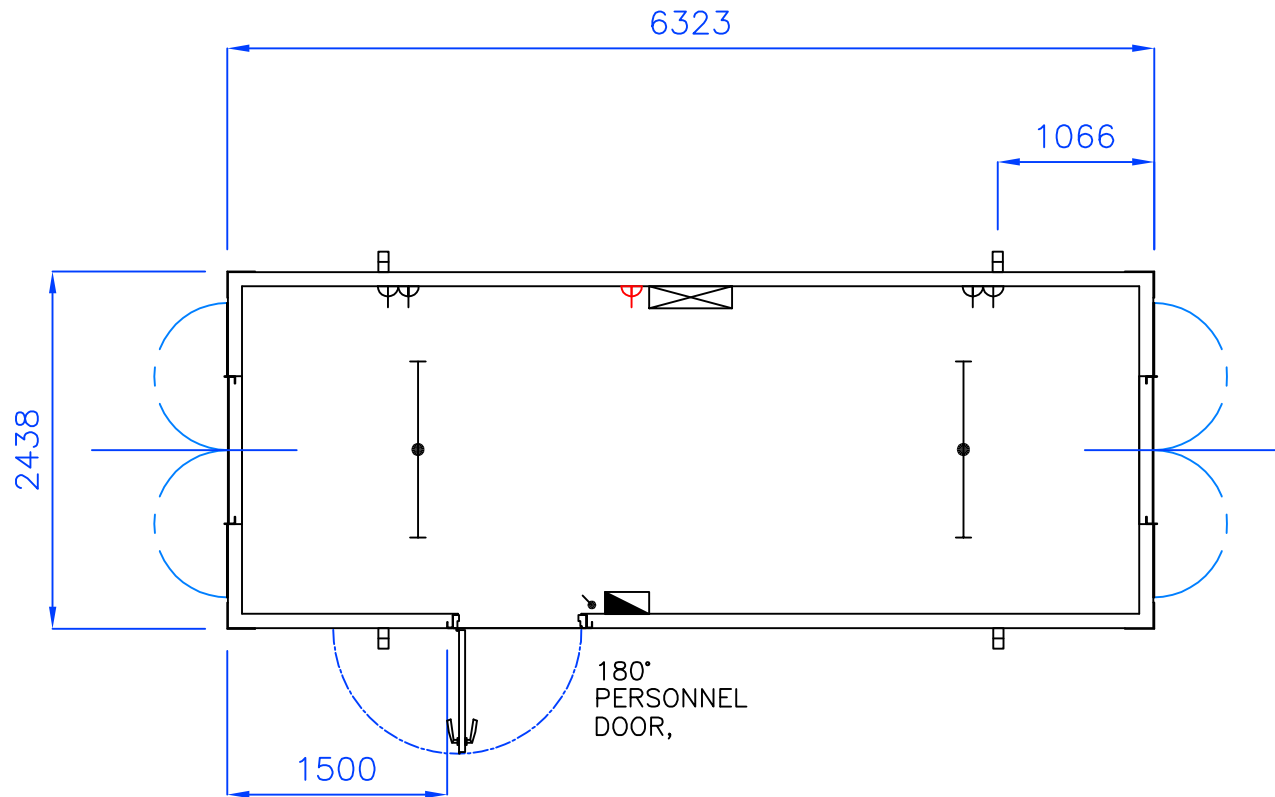


Jacklegs shown for reference only.
Check order prior to manufacture.



LINED USING EGB2001 & INSULATED.
MONO-WHITE CEILING PANELS.
WOODSTAIN TRIM.
'POLYFLOR' FLOORING.

Please Note
3'x3' Single Glazed,
'Ali' Framed Sliding Windows
c/w Secure Steel Shutters

	Consumer Unit
	Light Switch
	4' Fluorescent Light
	Twin Skt., 300mm above F.F.L.
	Convective Heater c/w Spur

APPROVAL BOX

Customer:
Signature:
Name:
Date:

1	4//601	FIRST ISSUE
ISSUE	DATE	DESCRIPTION

TITLE Termospace
21'x8' Office

DRAWN	SJB	DATE	4/6/01	DRG. No.
APPROVED		DATE		TER_OP2108V02
CHECKED				