

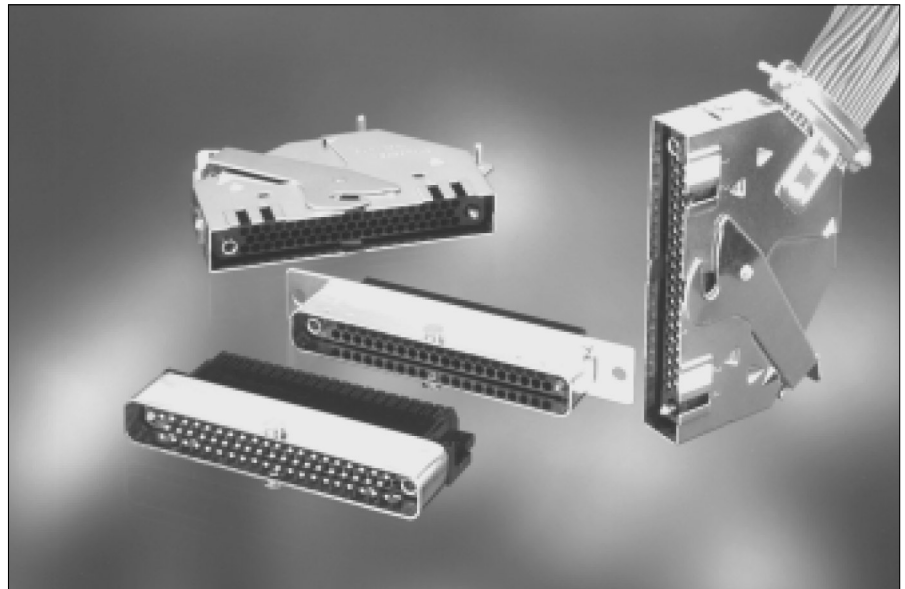


## High performance Low profile rectangular MSG connectors

### Description

MSG Series connectors is a 50 and 59 position low profile, compact design rectangular I/O connector.

MSG has been developed for industrial and railway control equipments which require a easy handling and high density connector. In addition to its panel mount version, a PCB mount version has been especially designed to fit 19 inch Euro-rack system.



### Features and benefits

- Connectors supplied pre-assembled.
- Available in 50 and 59 contact versions.
- PCB mount version fully equipped with male contacts. Selective contact loading optional.
- Accessories : polarizing screws (receptacle)  
polarizing plate (plug)  
dust cap (plug)

### Performance characteristics

Operating temperature:	-55°C to +125°C
Insulation resistance:	5000 MΩ min.
Test potential:	2000 VAC
Current rating:	7.5A - cable to PCB 13A - cable to cable
Creepage distance:	2.5mm (50 positions) 2.2mm (59 positions)
Durability:	500 matings and unmatings.
Vibration	Per JIS-C STD 0040
Salt Spray:	Per JIS-C STD 0023

### Construction

Connector Material :	Glass filled thermoplast
Flammability rating :	UL94-V0
Hoods, skirts :	Steel, nickel plated
Cable clamps:	Steel, nickel plated
Guiding hardware:	Stainless steel
Contacts receptacle :	Copper alloy (Au over Ni)

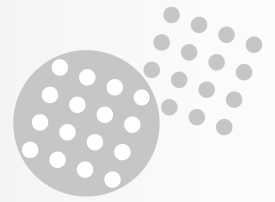
### Contact accommodation

- "MSG" Rectangular connectors accept TRIM TRIO size 16 crimp-type removable contacts (see contact section)
- For the plug connector and the panel mount receptacle, contacts have to be ordered separately.

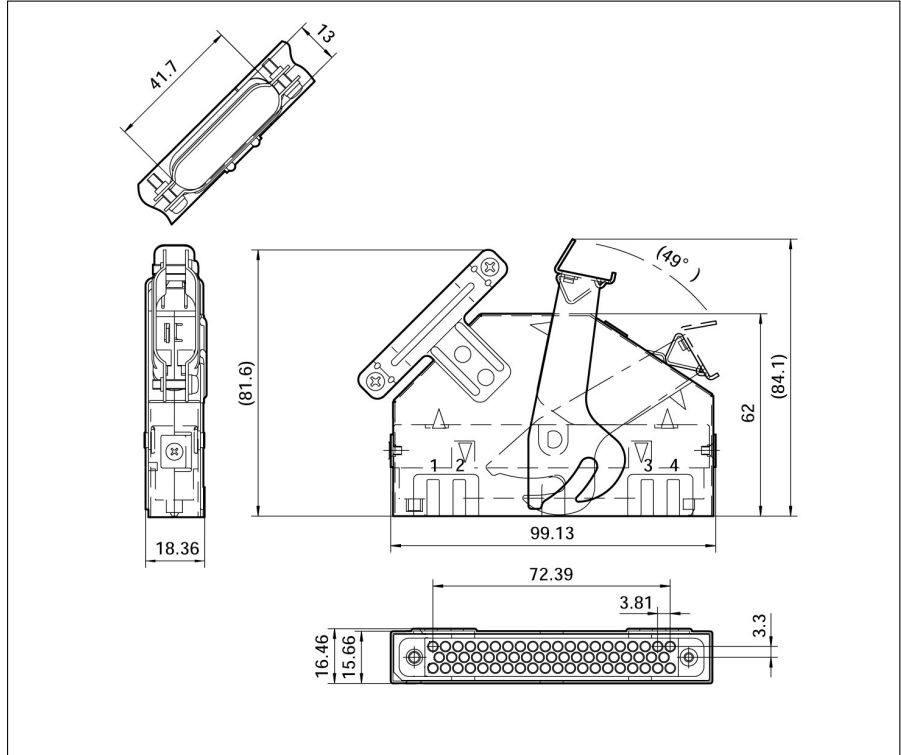
## How to order

Number of contacts	Part number	Description
59	<b>MSG59P-L11</b>	Plug for cable up
	<b>MSG59P-L21</b>	Plug for cable down
	<b>MSG59R-PL110</b>	Panel mount receptacle
	<b>MSG59R-RL111</b>	Right angle PCB mount receptacle without flange
	<b>MSG59R-FL111</b>	Right angle PCB mount receptacle with flange
50	<b>MSG50P-L11</b>	Cable plug
	<b>MSG50RG-L111</b>	Right angle PCB mount receptacle with flange

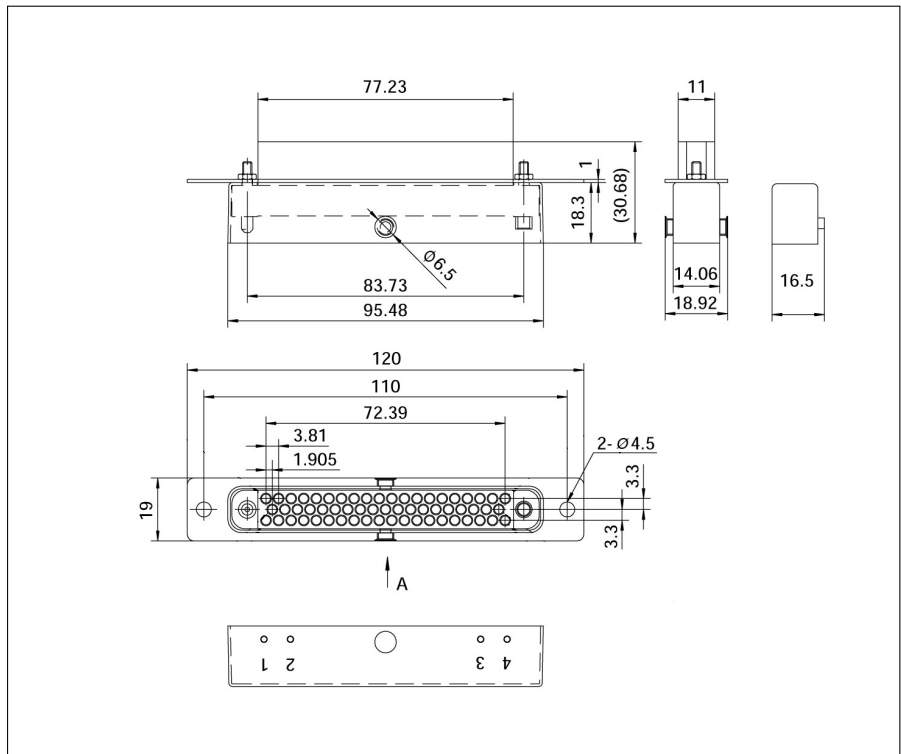
# MSG

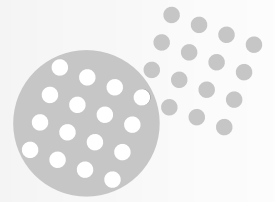


## Plug connector with metal hood (MSG59P-L11)

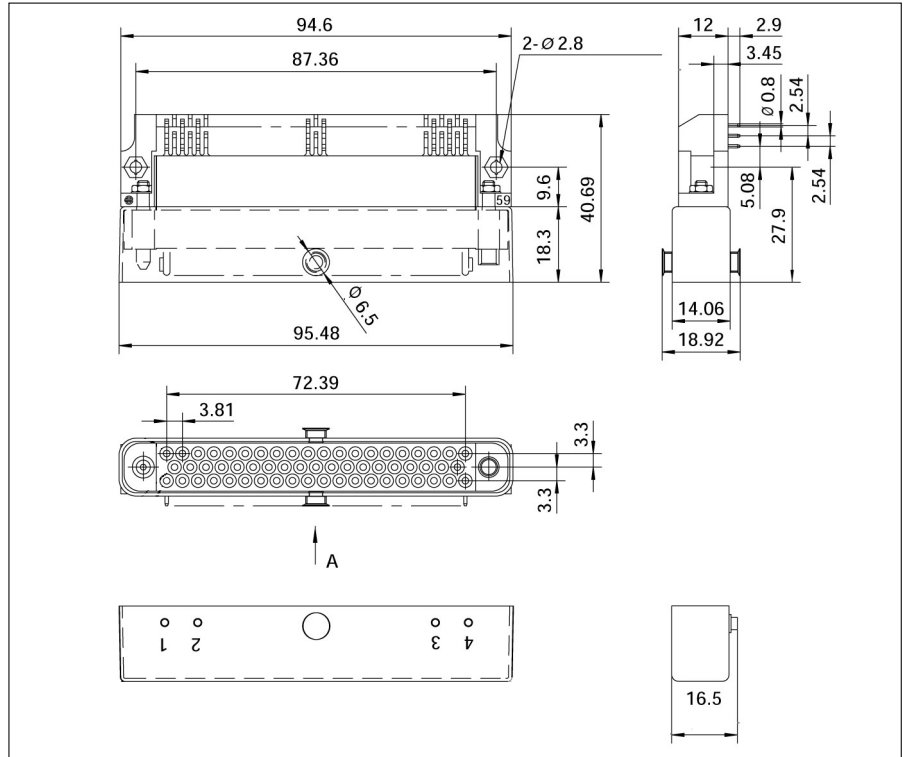


## Panel mount receptacle (MSG59RP-L110)

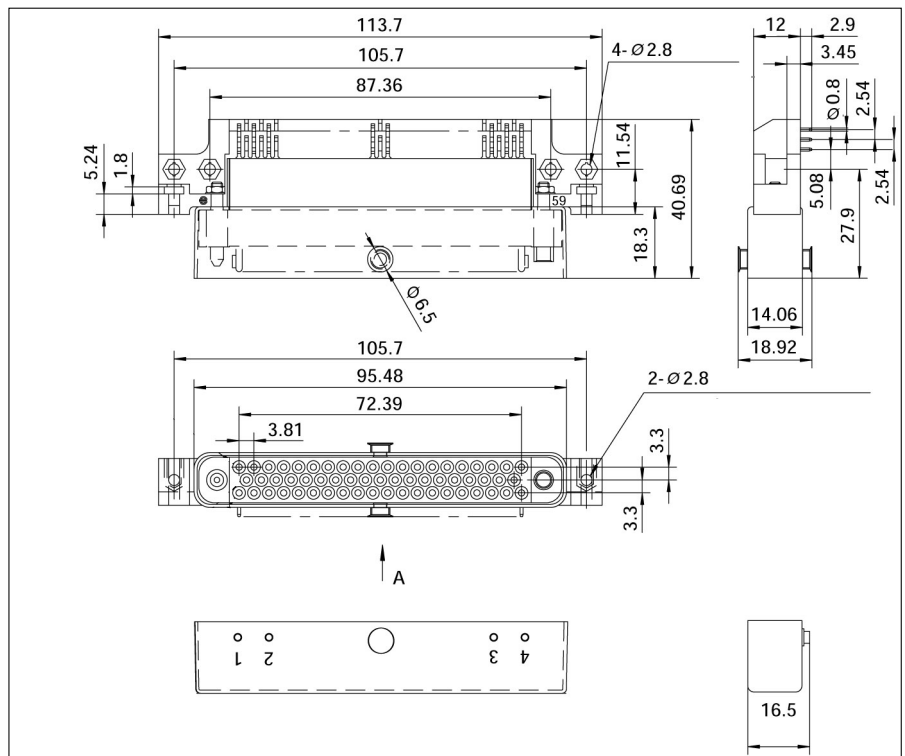




## Right angle PCB mount receptacle without flange (MSG59RR-L111)



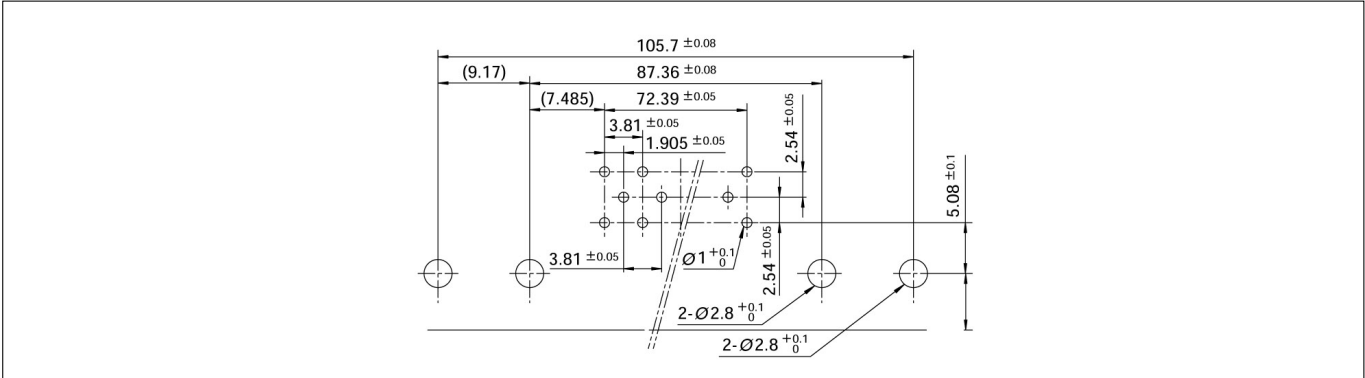
## Right angle PCB mount receptacle with flange (MSG59RF-L111)



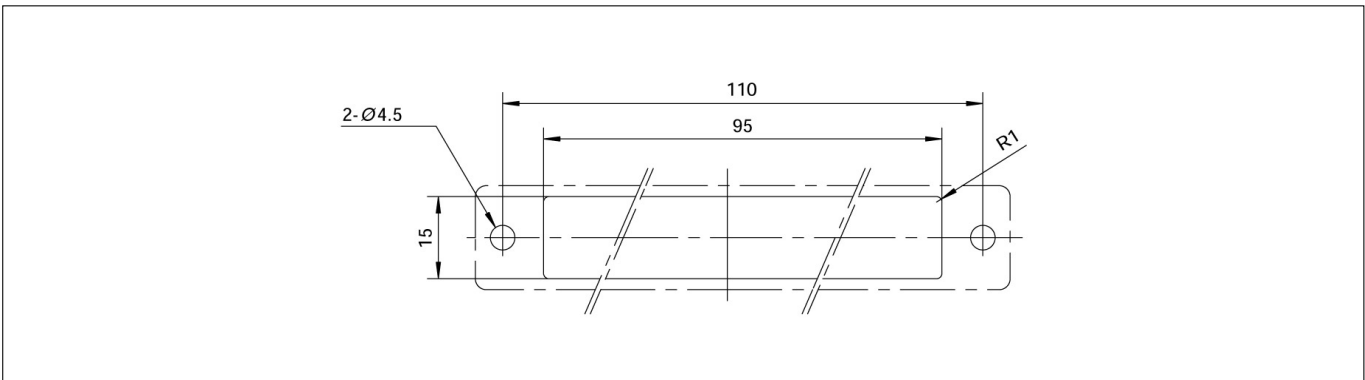
# MSG



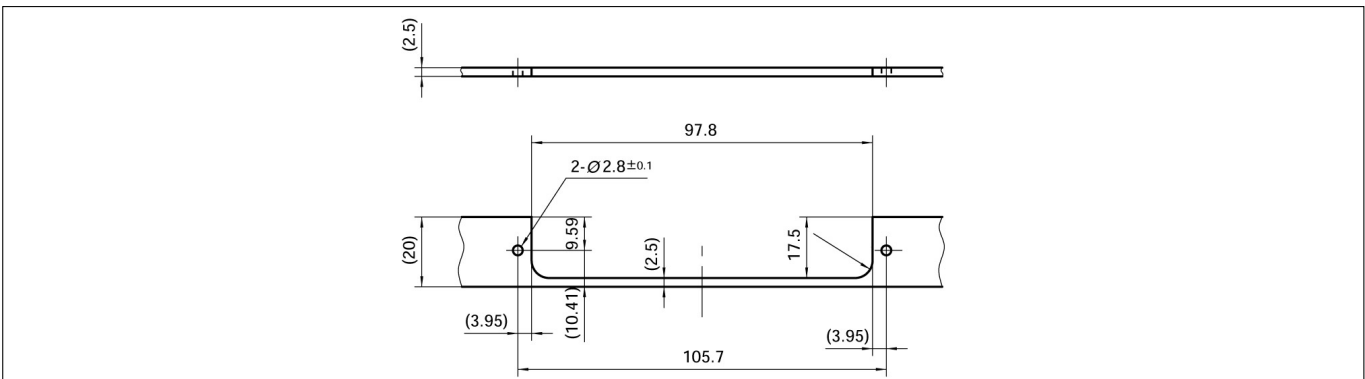
## MSG59 recommended drilling hole pattern (for PCB) (MSG59RR-L111, MSG59RF-L111)



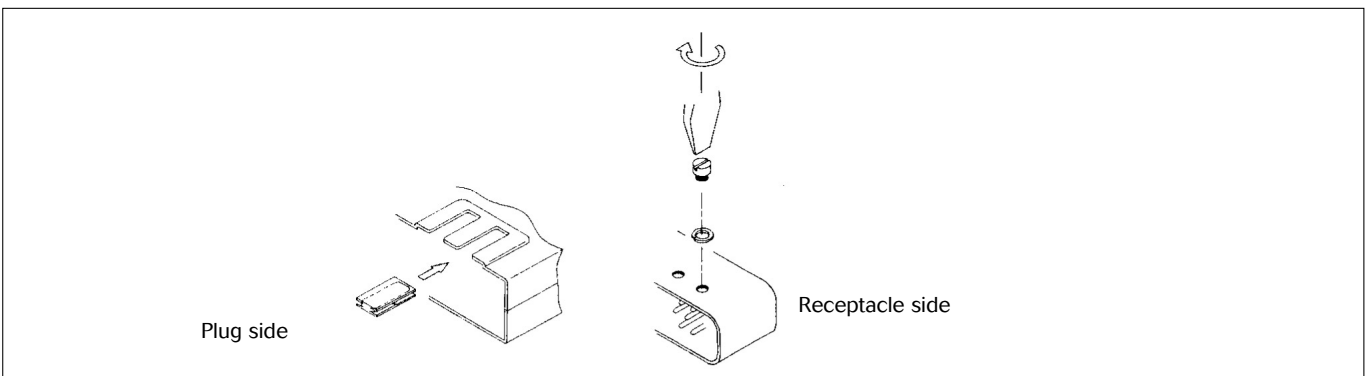
## MSG59 recommended panel cut-out (front mount) (MSG59RR-L110)



## MSG59 recommended for front mount (MSG59RR-L111, MSG59RF-L111)



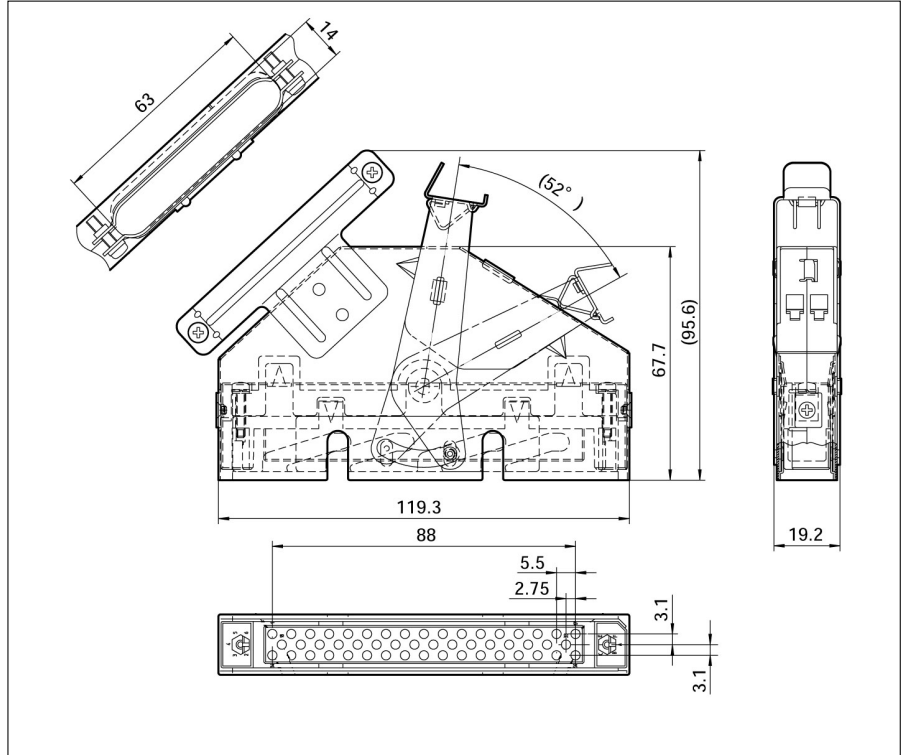
## Polarizing hardware



# MSG



**(MSG50P-L11)**



**(MSG50RF-L111)**

