



YH series

MIL-DTL-5015 Style Connector
ISO 9001 / ISO14001



Rev No. 1



개요 (Overview)



이 커넥터는 원래 군용 장비에 사용되도록 디자인 되었으나, 현재는 여러 산업분야에서 사용되고 있습니다. 특히 높은 신뢰성이 요구되는 산업제품인 각종 의료장비, 전자자동차, 산업용공작기계, 로봇 등에 저렴한 가격으로 적용되고 있습니다. 커넥터의 결합방식은 나사식 결합방식이며, 커넥터의 전선과 접점 연결방식은 납땜형입니다. CLASS "A", "B" 형은 방수가 되지 않는 제품이며, CLASS "E", "F", "R" 형은 절연체 패킹을 포함하여 커넥터 후면의 전선부를 방수 할 수 있도록 하였고, YH3106/YH3108 플러그 커넥터의 CLASS "F", "R" 형은 O링을 포함하여 커넥터 전면부에 대한 방수가 가능하도록 제작되었습니다. 이 커넥터의 상호 결합 관련 치수 및 접점배열은 MIL-DTL-5015 규격과 일치합니다.

This connector was originally designed for military equipments and today it is widely applied at low costs in various industries. In particular, the MIL-DTL-5015 Style Connector is used in industrial products which require high levels of reliability such as medical equipments, electric cars, industrial building machinery, robots, and etc.,

The MIL-DTL-5015 Style uses a screw type coupling method and Soldering type coupling is used to contact the connector cables. Products in Class "A" and "B" are not waterproof types, whereas Class "E", "F", and "R" types use insulating packing materials which enable the back of the connector cables to be waterproof. The Class "F" and "R" type YH3106/YH3108 plug connector's have an O-ring which enables the entire connector to be waterproof.

This connector's measurements regarding mutual coupling and contact arrangements are consistent with the MIL-DTL-5015 standards.

Introduction	개요 (Overview)	3
	품명구성 (Ordering Information)	4
	기술적 정보 (Technical Data)	5
MIL-DTL-5015 Style Connector	MIL-DTL-5015 Style CLASS A/E/F/R Wall Mounting Receptacle (YH3100)	6
	Cable Connecting Plug (YH3101)	7
	Box Mounting Receptacle (YH3102)	9
	Straight Plug (YH3106)	9
	90°Angle Plug (YH3108)	11
MIL-DTL-5015 Style CLASS "B" (Split Type)	Box Mounting Receptacle (YH3102)	12
	Straight Plug (YH3106)	12
	90° Angle Plug (YH3108)	13
MIL-DTL-5015 Style	Straight Plug (YH25183)	13
MIL-DTL-5015 Style Accessories	Sealing Gasket	14
	Dummy Receptacle (YH3105)	14
	YH3057 Cable Clamp	15
	YH3420 Rubber Bushing	15
	YH25043 / YH25042 Protective Cap	16
MIL-DTL-5015 Style Dust Cap		17
MIL-DTL-5015 Style 접점 배열도 (Contact Arrangements)		18
MIL-DTL-5015 Style 배열에 따른 접점구성 (Contact Arrangements & Formation)		25
MIL-DTL-5015 Style 절연체 회전위치 (Alternate Insert Positions)		26

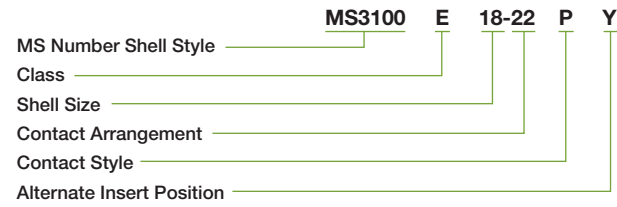
YH series

MIL-DTL-5015 Style Connector
ISO 9001/ISO14001



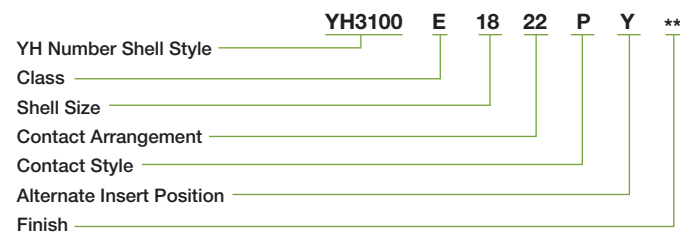
품명구성 (Ordering Information)

Military Nomenclature



- MS Number Shell Style**
MS3100 - Wall Mounting Receptacle
MS3101 - Cable Connecting Plug
MS3102 - Box mounting Receptacle
MS3106 - Straight Plug
MS3108 - 90°Angle Plug
- Class**
A - Solid shell for general, non-environmental applications
E - With resilient insulator and integral clamp for cable strain relief
F - Same as E, However style 3106 with O-ring seal under the coupling nut
R - With resilient insulator and shortened, lightweight endbell (additional sealing with O-ring under the coupling nut for shell styles 3106 and 3108)
- Shell Size**
10SL, 12S, 12, 14S, 14, 16S, 16, 18, 20, 22, 24, 28, 32, 36
- Contact Arrangement**
MIL-STD-1651에 따른다.
- Contact Style**
P - Pin Contact
S - Socket Contact
- Alternate Insert Position**
N(Normal), W, X, Y, Z(MIL-STD-1651)

Yeonhab Nomenclature



- YH Number Shell Style**
YH3100 - Wall Mounting Receptacle
YH3101 - Cable Connecting Plug
YH3102 - Box mounting Receptacle
YH3106 - Straight Plug
YH3108 - 90°Angle Plug
- Class**
A - Solid shell for general, non-environmental applications
E - With resilient insulator and integral clamp for cable strain relief
F - Same as E, However style 3106 with O-ring seal under the coupling nut
R - With resilient insulator and shortened, lightweight endbell (additional sealing with O-ring under the coupling nut for shell styles 3106 and 3108)
- Shell Size**
10SL, 12S, 12, 14S, 14, 16S, 16, 18, 20, 22, 24, 28, 32, 36
- Contact Arrangement**
MIL-STD-1651에 따른다.
- Contact Style**
P - Pin Contact
S - Socket Contact
- Alternate Insert Position**
N(Normal), W, X, Y, Z(MIL-STD-1651)
- Finish**
BLANK - Conductive Olive Drab Chromate Over Cadmium or Zinc plate.
01 - Black Anodize
02 - Electroless Nickel plate
03 - Black Zinc Cobalt Plate

결합안내 (Mating Face View)



기술적 정보 (Technical Data)

표준 재질 및 보호피막 (Standard Materials and Finishes)

Portion	Materials	Finishes
몸체 (Shell)	Aluminum alloy	Olive drab chromate coating over cadmium or zinc plating.
절연체 (Insulator)	Polychloroprene (resilient)	-
접점 (contacts)	Brass or Copper alloy	Silver plate

전기적 특성 (Electrical Data)

절연저항 (Insulation Resistance)	5,000MΩ Min.(at 25°C)
사용온도범위 (Operating Temperature Range)	-55°C ~ +125°C
내구성 (Durability)	500 cycle, mate and unmate

접점배열 서비스 등급 (Contact Arrangements Service Rating)

Service Rating	Dielectric Withstanding Voltage			Contact Engaging & Separating Force			
	Test Voltage AC(rms)	Operating Voltage		Contact Size	Force in Lbs		
		AC (rms)	DC		Maximum	Average	Minimum
inst.	1,000	200	250	16	3.00	2.06	0.13
A	2,000	500	700	12	5.00	3.50	0.19
D	2,800	900	1,250	8	10.00	-	0.31
E	3,500	1,250	1,750	4	15.00	-	0.63
B	4,500	1,750	2,450	0	20.00	-	0.94
C	7,000	3,000	4,200				

Altitude Voltage Derating Chart

Service Rating	Nominal Distance		Standard Sea Level Conditions		Pressure Altitude 70,000 ft	
	Airspace	Creepage	Minimum Flashover Voltage AC(rms)	Test Voltage AC(rms)	Minimum Flashover Voltage AC(rms)	Test Voltage AC(rms)
inst.	1/32	1/16	1400	1,000	325	260
A	1/16	1/8	2800	2,000	450	360
D	1/8	3/16	3600	2,800	500	400
E	3/16	1/4	4500	3,500	550	440
B	1/4	5/16	5700	4,500	600	480
C	5/16	1	8500	7,000	700	560

Contact Size	Pin Contact Dia.	Solder Pot Dia.	Current(A) Rating (Mated With Insulators)	Contact Resistance		Wire Range Accommodations		
				Test Current (A)	Potential Drop Max(mV)	Wire Size (AWG)	Wire Normal Square Size(mm)	Dielectric Material Outer Dia.
16	1.6	2.0	13A	20A	21	16~22	≤ 1.3	1.7~3.3
12	2.4	3.0	23A	35A	20	12~14	≤ 3.5	2.9~4.3
8	3.6	5.2	46A	60A	12	8~10	≤ 8.0	4.2~6.4
4	5.7	8.5	80A	110A	10	6~4	≤ 22.0	7.0~9.4
0	9.1	12.0	150A	200A	10	0~2	≤ 50.0	10.6~14.0

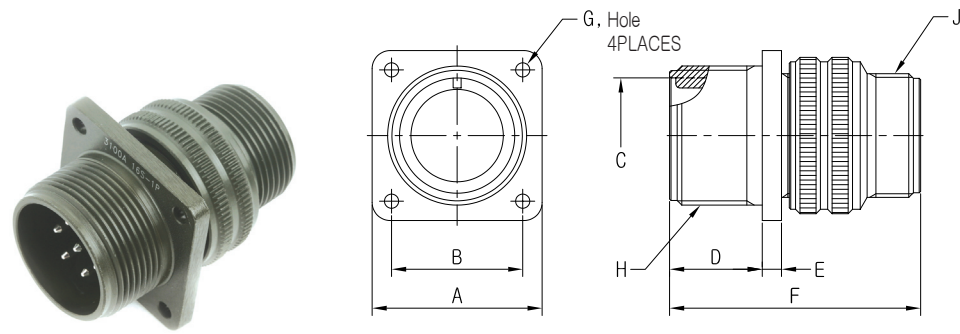
MIL-DTL-5015 Style CLASS A/E/F/R

Wall Mounting Receptacle (MS3100)

YH3100 CLASS "A"

엔드벨에 YH3057 등의 악세서리와 함께 사용가능함.
절연체 패킹 및 부싱제외.

Can be used with accessories such as YH3057 at the endbell.
Excludes grommet and bushing.



UNIT: mm

Part Number	A ±0.79	B ±0.12	C Dia. +0.38 -0.00	D +0.79 -0.00	E Max./Min.	F Max.	G Dia. +0.25 -0.13	H Thread. (Class : 2A)	J Thread. (Class : 2A)
YH3100A10SL-xxxx	25.40	18.26	11.38	14.28	3.96/1.58	38.88	3.05	5/8-24UNEF	5/8-24UNEF
YH3100A12S-xxxx	27.79	20.62	14.15	14.28	3.96/1.58	42.87	3.05	3/4-20UNEF	5/8-24UNEF
YH3100A12-xxxx	27.79	20.62	14.15	19.05	3.96/1.58	52.37	3.05	3/4-20UNEF	5/8-24UNEF
YH3100A14S-xxxx	30.18	23.01	17.33	14.28	3.96/1.58	42.87	3.05	7/8-20UNEF	3/4-20UNEF
YH3100A14-xxxx	30.18	23.01	17.33	19.05	3.96/1.58	52.37	3.05	7/8-20UNEF	3/4-20UNEF
YH3100A16S-xxxx	32.54	24.61	20.50	14.28	3.96/1.58	42.87	3.05	1-20UNEF	7/8-20UNEF
YH3100A16-xxxx	32.54	24.61	20.50	19.05	3.96/1.58	52.37	3.05	1-20UNEF	7/8-20UNEF
YH3100A18-xxxx	34.93	26.97	23.68	19.05	5.12/2.39	52.37	3.05	1 1/8-18UNEF	1-20UNEF
YH3100A20-xxxx	38.10	29.36	26.88	19.05	5.12/2.39	55.57	3.05	1 1/4-18UNEF	1 3/16-18UNEF
YH3100A22-xxxx	41.28	31.75	30.03	19.05	5.12/2.39	55.57	3.05	1 3/8-18UNEF	1 3/16-18UNEF
YH3100A24-xxxx	44.45	34.93	33.20	20.63	5.12/2.39	58.72	3.73	1 1/2-18UNEF	1 7/16-18UNEF
YH3100A28-xxxx	50.80	39.67	38.77	20.63	5.12/2.39	58.72	3.73	1 3/4-18UNS	1 7/16-18UNEF
YH3100A32-xxxx	57.15	44.45	45.12	22.23	9.11/3.18	61.92	4.39	2-18UNS	1 3/4-18UNS
YH3100A36-xxxx	63.50	49.23	50.68	22.23	9.11/3.18	61.92	4.39	2 1/4-16UN	2-18UNS

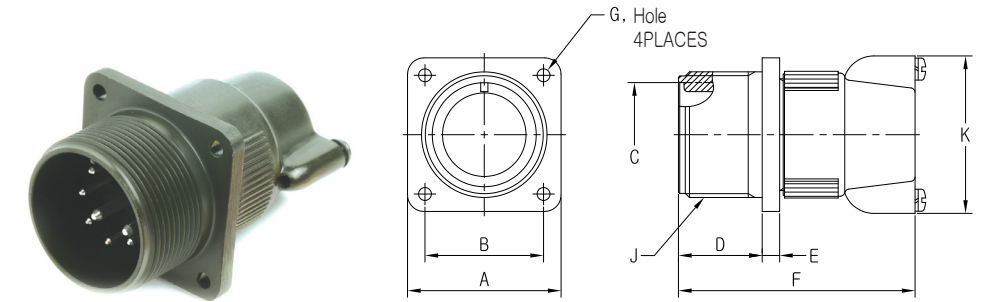
MIL-DTL-5015 Style CLASS A/E/F/R

Wall Mounting Receptacle (MS3100)

YH3100 CLASS "R"

절연체 패킹 및 부싱포함.

Includes grommet and bushing.



UNIT: mm

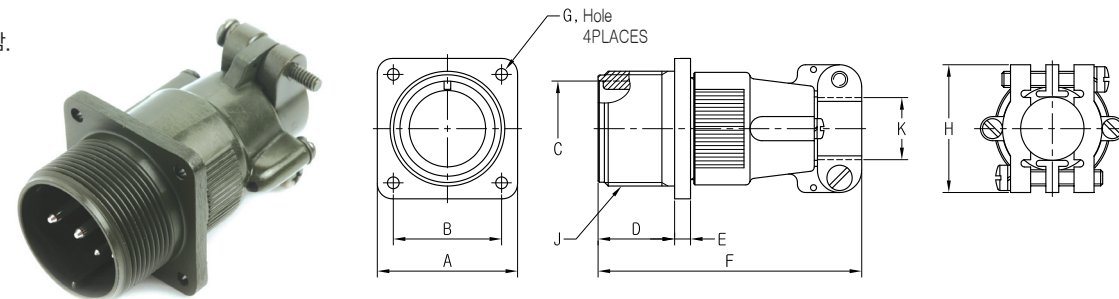
Part Number	A ±0.79	B ±0.12	C Dia. +0.38 -0.00	D +0.79 -0.00	E Max./Min.	F Max.	G Dia. +0.25 -0.13	K Max.	J Thread. (Class : 2A)
YH3100R10SL-xxxx	25.40	18.26	11.38	14.28	3.96/1.58	46.69	3.05	24.4	5/8-24UNEF
YH3100R12S-xxxx	27.79	20.62	14.15	14.28	3.96/1.58	46.69	3.05	24.4	3/4-20UNEF
YH3100R12-xxxx	27.79	20.62	14.15	19.05	3.96/1.58	55.40	3.05	24.4	3/4-20UNEF
YH3100R14S-xxxx	30.18	23.01	17.33	14.28	3.96/1.58	46.69	3.05	29.0	7/8-20UNEF
YH3100R14-xxxx	30.18	23.01	17.33	19.05	3.96/1.58	55.40	3.05	29.0	7/8-20UNEF
YH3100R16S-xxxx	32.54	24.61	20.50	14.28	3.96/1.58	46.69	3.05	31.5	1-20UNEF
YH3100R16-xxxx	32.54	24.61	20.50	19.05	3.96/1.58	55.40	3.05	31.5	1-20UNEF
YH3100R18-xxxx	34.93	26.97	23.68	19.05	5.12/2.39	55.40	3.05	36.6	1 1/8-18UNEF
YH3100R20-xxxx	38.10	29.36	26.88	19.05	5.12/2.39	55.40	3.05	39.7	1 1/4-18UNEF
YH3100R22-xxxx	41.28	31.75	30.03	19.05	5.12/2.39	55.40	3.05	39.7	1 3/8-18UNEF
YH3100R24-xxxx	44.45	34.93	33.20	20.63	5.12/2.39	55.40	3.73	47.4	1 1/2-18UNEF
YH3100R28-xxxx	50.80	39.67	38.77	20.63	5.12/2.39	55.40	3.73	47.4	1 3/4-18UNS
YH3100R32-xxxx	57.15	44.45	45.12	22.23	9.11/3.18	58.98	4.39	55.9	2-18UNS
YH3100R36-xxxx	63.50	49.23	50.68	22.23	9.11/3.18	58.98	4.39	60.8	2 1/4-16UN

Wall Mounting Receptacle (MS3100)

YH3100 CLASS "E", "F"

절연체 패킹 및 부싱포함.

Includes grommet and bushing.



UNIT: mm

Part Number	A ±0.79	B ±0.12	C Dia. +0.38 -0.00	D +0.79 -0.00	E Max./Min.	F Max.	G Dia. +0.25 -0.13	H Max.	* K Dia. Max.	J Thread. (Class : 2A)
YH3100x10SL-xxxx	25.40	18.26	11.38	14.28	3.96/1.58	57.15	3.05	22.7	6.5	5/8-24UNEF
YH3100x12S-xxxx	27.79	20.62	14.15	14.28	3.96/1.58	57.15	3.05	22.7	6.5	3/4-20UNEF
YH3100x12-xxxx	27.79	20.62	14.15	19.05	3.96/1.58	66.68	3.05	22.7	6.5	3/4-20UNEF
YH3100x14S-xxxx	30.18	23.01	17.33	14.28	3.96/1.58	57.15	3.05	27.5	9.0	7/8-20UNEF
YH3100x14-xxxx	30.18	23.01	17.33	19.05	3.96/1.58	66.68	3.05	27.5	9.0	7/8-20UNEF
YH3100x16S-xxxx	32.54	24.61	20.50	14.28	3.96/1.58	57.15	3.05	30.0	11.0	1-20UNEF
YH3100x16-xxxx	32.54	24.61	20.50	19.05	3.96/1.58	66.68	3.05	30.0	11.0	1-20UNEF
YH3100x18-xxxx	34.93	26.97	23.68	19.05	5.12/2.39	68.28	3.05	32.2	14.2	1 1/8-18UNEF
YH3100x20-xxxx	38.10	29.36	26.88	19.05	5.12/2.39	69.85	3.05	37.5	15.8	1 1/4-18UNEF
YH3100x22-xxxx	41.28	31.75	30.03	19.05	5.12/2.39	69.85	3.05	37.5	15.8	1 3/8-18UNEF
YH3100x24-xxxx	44.45	34.93	33.20	20.63	5.12/2.39	75.41	3.73	43.3	21.4	1 1/2-18UNEF
YH3100x28-xxxx	50.80	39.67	38.77	20.63	5.12/2.39	76.99	3.73	43.3	21.4	1 3/4-18UNS
YH3100x32-xxxx	57.15	44.45	45.12	22.23	9.11/3.18	76.99	4.39	51.7	26.7	2-18UNS
YH3100x36-xxxx	63.50	49.23	50.68	22.23	9.11/3.18	83.34	4.39	58.0	31.7	2 1/4-16UN

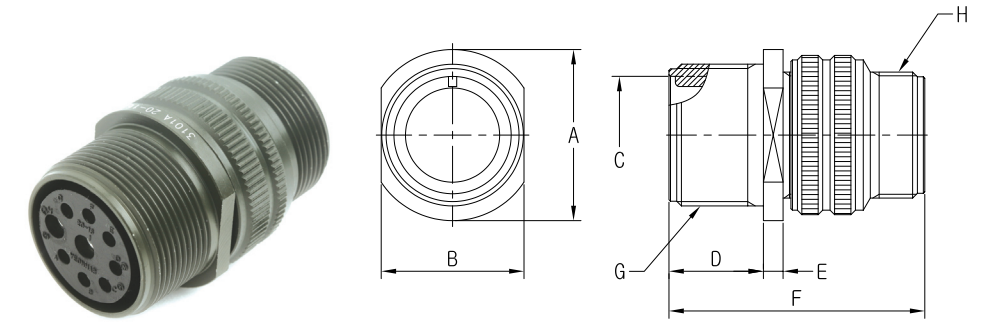
* 적용 케이블 최대 외경임.

Cable Connecting Plug (MS3101)

YH3101 CLASS "A"

엔드벨에 YH3057 등의 악세서리와 함께 사용 가능함.
절연체 패킹 및 부싱제외.

Can be used with accessories such as YH3057 at the endbell.
Excludes grommet and bushing.



UNIT: mm

Part Number	A Dia. Max.	B Max.	C Dia. +0.38 -0.00	D +0.79 -0.00	E Max./Min.	F Max.	G Thread. (Class : 2A)	H Thread. (Class : 2A)
YH3101A10SL-xxxx	21.8	16.2	11.38	14.28	3.96/1.58	38.88	5/8-24UNEF	5/8-24UNEF
YH3101A12S-xxxx	25.0	19.3	14.15	14.28	3.96/1.58	42.87	3/4-20UNEF	5/8-24UNEF
YH3101A12-xxxx	25.0	19.3	14.15	19.05	3.96/1.58	52.37	3/4-20UNEF	5/8-24UNEF
YH3101A14S-xxxx	28.2	22.5	17.33	14.28	3.96/1.58	42.87	7/8-20UNEF	3/4-20UNEF
YH3101A14-xxxx	28.2	22.5	17.33	19.05	3.96/1.58	52.37	7/8-20UNEF	3/4-20UNEF
YH3101A16S-xxxx	31.4	25.6	20.50	14.28	3.96/1.58	42.87	1-20UNEF	7/8-20UNEF
YH3101A16-xxxx	31.4	25.6	20.50	19.05	3.96/1.58	52.37	1-20UNEF	7/8-20UNEF
YH3101A18-xxxx	34.5	28.8	23.68	19.05	5.12/2.39	52.37	1 1/8-18UNEF	1-20UNEF
YH3101A20-xxxx	37.6	32.0	26.88	19.05	5.12/2.39	55.57	1 1/4-18UNEF	1 3/16-18UNEF
YH3101A22-xxxx	41.0	35.2	30.03	19.05	5.12/2.39	55.57	1 3/8-18UNEF	1 3/16-18UNEF
YH3101A24-xxxx	43.8	38.4	33.20	20.63	5.12/2.39	58.72	1 1/2-18UNEF	1 7/16-18UNEF
YH3101A28-xxxx	50.5	44.8	38.77	20.63	5.12/2.39	58.72	1 3/4-18UNS	1 7/16-18UNEF
YH3101A32-xxxx	57.0	51.2	45.12	22.23	9.11/3.18	61.92	2-18UNS	1 3/4-18UNS
YH3101A36-xxxx	63.2	57.5	50.68	22.23	9.11/3.18	61.92	2 1/4-16UN	2-18UNS

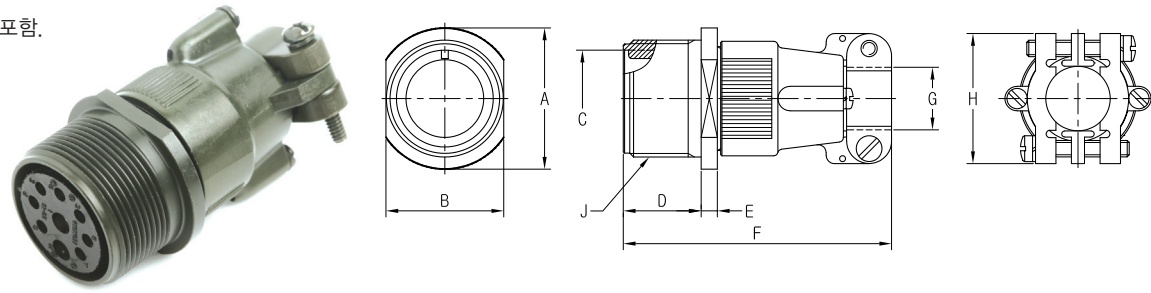
MIL-DTL-5015 Style CLASS A/E/F/R

Cable Connecting Plug (MS3101)

YH3101 CLASS “E”, “F”

절연체 패킹 및 부싱포함.

Includes grommet and bushing.



UNIT: mm

Part Number	A Dia. Max.	B Max.	C Dia. +0.38 -0.00	D +0.79 -0.00	E Max./Min.	F Max.	* G Dia. Max.	H Max.	J Thread. (Class : 2A)
YH3101x10SL-xxxx	21.8	16.2	11.38	14.28	3.96/1.58	57.15	6.5	22.7	5/8-24UNEF
YH3101x12S-xxxx	25.0	19.3	14.15	14.28	3.96/1.58	57.15	6.5	22.7	3/4-20UNEF
YH3101x12-xxxx	25.0	19.3	14.15	19.05	3.96/1.58	66.68	6.5	22.7	3/4-20UNEF
YH3101x14S-xxxx	28.2	22.5	17.33	14.28	3.96/1.58	57.15	9.0	27.5	7/8-20UNEF
YH3101x14-xxxx	28.2	22.5	17.33	19.05	3.96/1.58	66.68	9.0	27.5	7/8-20UNEF
YH3101x16S-xxxx	31.4	25.6	20.50	14.28	3.96/1.58	57.15	11.0	30.0	1-20UNEF
YH3101x16-xxxx	31.4	25.6	20.50	19.05	3.96/1.58	66.68	11.0	30.0	1-20UNEF
YH3101x18-xxxx	34.5	28.8	23.68	19.05	5.12/2.39	68.28	14.2	32.2	1 1/8-18UNEF
YH3101x20-xxxx	37.6	32.0	26.88	19.05	5.12/2.39	69.85	15.8	37.5	1 1/4-18UNEF
YH3101x22-xxxx	41.0	35.2	30.03	19.05	5.12/2.39	69.85	15.8	37.5	1 3/8-18UNEF
YH3101x24-xxxx	43.8	38.4	33.20	20.63	5.12/2.39	75.41	21.4	43.3	1 1/2-18UNEF
YH3101x28-xxxx	50.5	44.8	38.77	20.63	5.12/2.39	76.99	21.4	43.3	1 3/4-18UNS
YH3101x32-xxxx	57.0	51.2	45.12	22.23	9.11/3.18	76.99	26.7	51.7	2-18UNS
YH3101x36-xxxx	63.2	57.5	50.68	22.23	9.11/3.18	83.34	31.7	58.0	2 1/4-16UN

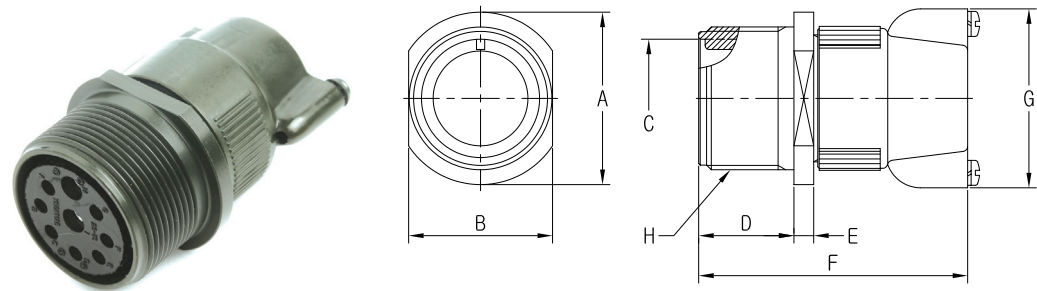
* 적용 케이블 최대 외경임.

Cable Connecting Plug (MS3101)

YH3101 CLASS “R”

절연체 패킹 및 부싱포함.

Includes grommet and bushing.



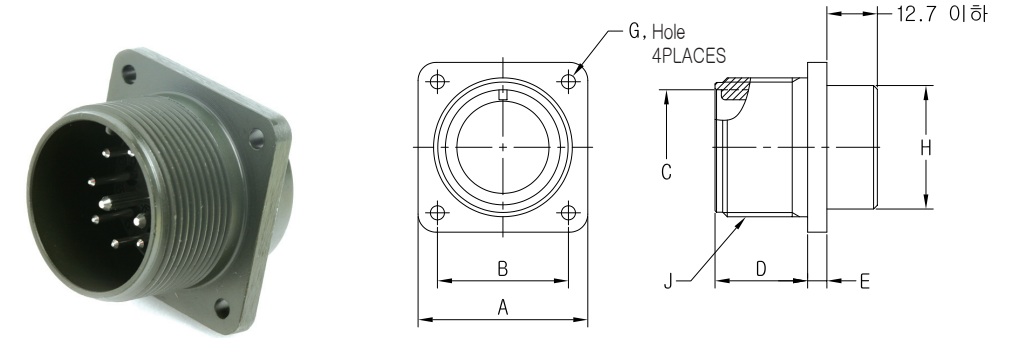
UNIT: mm

Part Number	A Dia. Max.	B Max.	C Dia. +0.38 -0.00	D +0.79 -0.00	E Max./Min.	F Max.	G Max.	H Thread. (Class : 2A)
YH3101R10SL-xxxx	21.8	16.2	11.38	14.28	3.96/1.58	46.69	24.4	5/8-24UNEF
YH3101R12S-xxxx	25.0	19.3	14.15	14.28	3.96/1.58	46.69	24.4	3/4-20UNEF
YH3101R12-xxxx	25.0	19.3	14.15	19.05	3.96/1.58	55.40	24.4	3/4-20UNEF
YH3101R14S-xxxx	28.2	22.5	17.33	14.28	3.96/1.58	46.69	29.0	7/8-20UNEF
YH3101R14-xxxx	28.2	22.5	17.33	19.05	3.96/1.58	55.40	29.0	7/8-20UNEF
YH3101R16S-xxxx	31.4	25.6	20.50	14.28	3.96/1.58	46.69	31.5	1-20UNEF
YH3101R16-xxxx	31.4	25.6	20.50	19.05	3.96/1.58	55.40	31.5	1-20UNEF
YH3101R18-xxxx	34.5	28.8	23.68	19.05	5.12/2.39	55.40	36.6	1 1/8-18UNEF
YH3101R20-xxxx	37.6	32.0	26.88	19.05	5.12/2.39	55.40	39.7	1 1/4-18UNEF
YH3101R22-xxxx	41.0	35.2	30.03	19.05	5.12/2.39	55.40	39.7	1 3/8-18UNEF
YH3101R24-xxxx	43.8	38.4	33.20	20.63	5.12/2.39	55.40	47.4	1 1/2-18UNEF
YH3101R28-xxxx	50.5	44.8	38.77	20.63	5.12/2.39	55.40	47.4	1 3/4-18UNS
YH3101R32-xxxx	57.0	51.2	45.12	22.23	9.11/3.18	58.98	55.9	2-18UNS
YH3101R36-xxxx	63.2	57.5	50.68	22.23	9.11/3.18	58.98	60.8	2 1/4-16UN

MIL-DTL-5015 Style CLASS A/E/F/R

Box Mouting Receptacle (MS3102)

YH3102 CLASS “E”, “R”



UNIT: mm

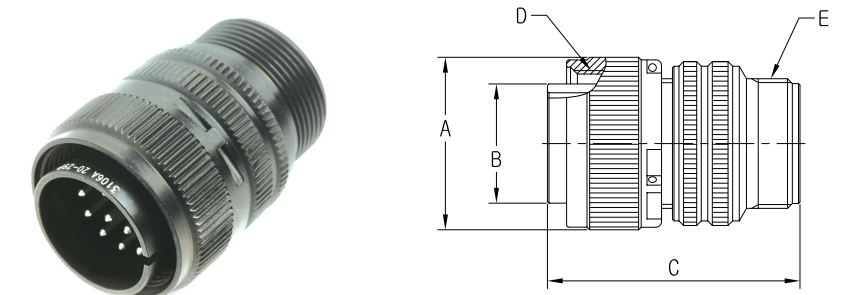
Part Number	A ±0.79	B ±0.12	C Dia. +0.38 -0.00	D +0.79 -0.00	E Max./Min.	G Dia. +0.25 -0.13	H Dia. Max.	J Thread. (Class : 2A)
YH3102x10SL-xxxx	25.40	18.26	11.38	14.28	3.96/1.58	3.05	15.9	5/8-24UNEF
YH3102x12S-xxxx	27.79	20.62	14.15	14.28	3.96/1.58	3.05	15.9	3/4-20UNEF
YH3102x12-xxxx	27.79	20.62	14.15	19.05	3.96/1.58	3.05	15.9	3/4-20UNEF
YH3102x14S-xxxx	30.18	23.01	17.33	14.28	3.96/1.58	3.05	19.0	7/8-20UNEF
YH3102x14-xxxx	30.18	23.01	17.33	19.05	3.96/1.58	3.05	19.0	7/8-20UNEF
YH3102x16S-xxxx	32.54	24.61	20.50	14.28	3.96/1.58	3.05	22.2	1-20UNEF
YH3102x16-xxxx	32.54	24.61	20.50	19.05	3.96/1.58	3.05	22.2	1-20UNEF
YH3102x18-xxxx	34.93	26.97	23.68	19.05	5.12/2.39	3.05	25.4	1 1/8-18UNEF
YH3102x20-xxxx	38.10	29.36	26.88	19.05	5.12/2.39	3.05	29.0	1 1/4-18UNEF
YH3102x22-xxxx	41.28	31.75	30.03	19.05	5.12/2.39	3.05	32.2	1 3/8-18UNEF
YH3102x24-xxxx	44.45	34.93	33.20	20.63	5.12/2.39	3.73	35.3	1 1/2-18UNEF
YH3102x28-xxxx	50.80	39.67	38.77	20.63	5.12/2.39	3.73	41.2	1 3/4-18UNS
YH3102x32-xxxx	57.15	44.45	45.12	22.23	9.11/3.18	4.39	47.6	2-18UNS
YH3102x36-xxxx	63.50	49.23	50.68	22.23	9.11/3.18	4.39	52.4	2 1/4-16UN

Straight Plug (MS3106)

YH3106 CLASS “A”

엔드벨에 YH3057 등의 약세사리와 함께 사용가능함.
오링 및 절연체 패킹, 부싱제외

Can be used with accessories such as YH3057 at the endbell.
Excludes O-Ring, grommet and bushing.



UNIT: mm

Part Number	A Dia. Max.	B Dia. +0.00 -0.38	C Max.	D Thread. (Class : 2B)	E Thread. (Class : 2A)
YH3106A10SL-xxxx	24.61	11.33	38.88	5/8-24UNEF	5/8-24UNEF
YH3106A12S-xxxx	26.97	14.10	42.87	3/4-20UNEF	5/8-24UNEF
YH3106A12-xxxx	26.97	14.10	52.37	3/4-20UNEF	5/8-24UNEF
YH3106A14S-xxxx	29.36	17.15	42.87	7/8-20UNEF	3/4-20UNEF
YH3106A14-xxxx	29.36	17.15	52.37	7/8-20UNEF	3/4-20UNEF
YH3106A16S-xxxx	31.75	20.45	42.87	1-20UNEF	7/8-20UNEF
YH3106A16-xxxx	31.75	20.45	52.37	1-20UNEF	7/8-20UNEF
YH3106A18-xxxx	34.13	23.62	52.37	1 1/8-18UNEF	1-20UNEF
YH3106A20-xxxx	37.31	26.67	55.57	1 1/4-18UNEF	1 3/16-18UNEF
YH3106A22-xxxx	40.48	29.85	55.57	1 3/8-18UNEF	1 3/16-18UNEF
YH3106A24-xxxx	43.66	33.02	58.72	1 1/2-18UNEF	1 7/16-18UNEF
YH3106A28-xxxx	50.01	38.61	58.72	1 3/4-18UNS	1 7/16-18UNEF
YH3106A32-xxxx	56.36	44.96	61.92	2-18UNS	1 3/4-18UNS
YH3106A36-xxxx	62.71	50.29	61.92	2 1/4-16UN	2-18UNS

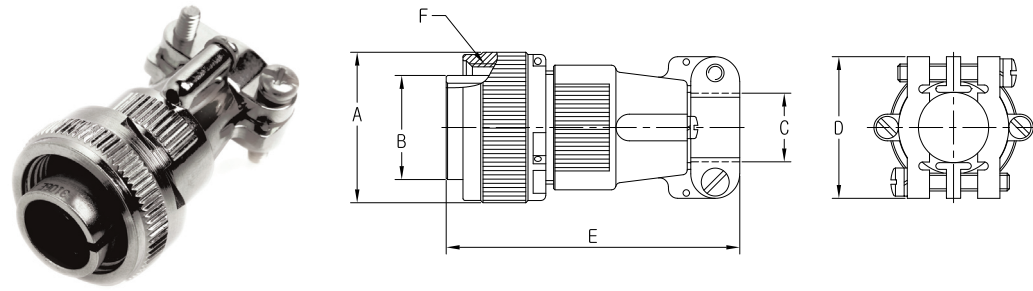
MIL-DTL-5015 Style CLASS A/E/F/R

Straight Plug (MS3106)

YH3106 CLASS “E”, “F”

E - 오링제외,
F - 오링포함,
절연체 패킹 및 부상포함.

E - Excludes O-Ring
F - Includes O-Ring
Includes grommet
and bushing.



UNIT: mm

Part Number	A Dia. Max.	B Dia. +0.00 -0.38	* C Dia. Max.	D Max.	E Max.	F Thread. (Class : 2B)
YH3106x10SL-xxxx	24.61	11.33	6.5	22.7	57.15	5/8-24UNEF
YH3106x12S-xxxx	26.97	14.10	6.5	22.7	57.15	3/4-20UNEF
YH3106x12-xxxx	26.97	14.10	6.5	22.7	66.68	3/4-20UNEF
YH3106x14S-xxxx	29.36	17.15	9.0	27.5	57.15	7/8-20UNEF
YH3106x14-xxxx	29.36	17.15	9.0	27.5	66.68	7/8-20UNEF
YH3106x16S-xxxx	31.75	20.45	11.0	30.0	57.15	1-20UNEF
YH3106x16-xxxx	31.75	20.45	11.0	30.0	66.68	1-20UNEF
YH3106x18-xxxx	34.13	23.62	14.2	32.2	68.28	1 1/8-18UNEF
YH3106x20-xxxx	37.31	26.67	15.8	37.5	69.85	1 1/4-18UNEF
YH3106x22-xxxx	40.48	29.85	15.8	37.5	69.85	1 3/8-18UNEF
YH3106x24-xxxx	43.66	33.02	21.4	43.3	75.41	1 1/2-18UNEF
YH3106x28-xxxx	50.01	38.61	21.4	43.3	76.99	1 3/4-18UNS
YH3106x32-xxxx	56.36	44.96	26.7	51.7	76.99	2-18UNS
YH3106x36-xxxx	62.71	50.29	31.7	58.0	83.34	2 1/4-16UN

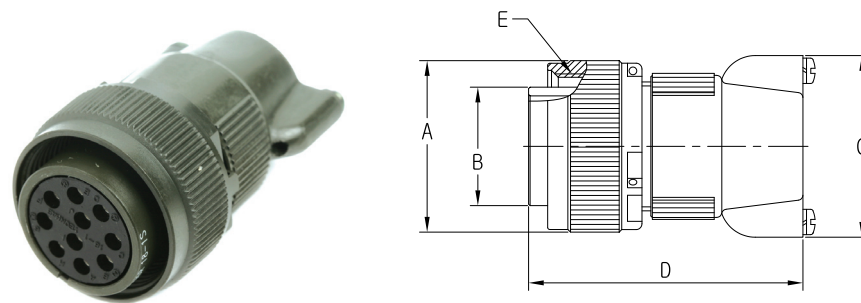
* 적용 케이블 최대 외경임.

Straight Plug (MS3106)

YH3106 CLASS “R”

오링 및 절연체 패킹, 부상포함.

Includes O-Ring, grommet
and bushing.



UNIT: mm

Part Number	A Dia. Max.	B Dia. +0.00 -0.38	C Max.	D Max.	E Thread. (Class : 2B)
YH3106R10SL-xxxx	24.61	11.33	24.4	46.69	5/8-24UNEF
YH3106R12S-xxxx	26.97	14.10	24.4	46.69	3/4-20UNEF
YH3106R12-xxxx	26.97	14.10	24.4	55.40	3/4-20UNEF
YH3106R14S-xxxx	29.36	17.15	29.0	46.69	7/8-20UNEF
YH3106R14-xxxx	29.36	17.15	29.0	55.40	7/8-20UNEF
YH3106R16S-xxxx	31.75	20.45	31.5	46.69	1-20UNEF
YH3106R16-xxxx	31.75	20.45	31.5	55.40	1-20UNEF
YH3106R18-xxxx	34.13	23.62	36.6	55.40	1 1/8-18UNEF
YH3106R20-xxxx	37.31	26.67	39.7	55.40	1 1/4-18UNEF
YH3106R22-xxxx	40.48	29.85	39.7	55.40	1 3/8-18UNEF
YH3106R24-xxxx	43.66	33.02	47.4	55.40	1 1/2-18UNEF
YH3106R28-xxxx	50.01	38.61	47.4	55.40	1 3/4-18UNS
YH3106R32-xxxx	56.36	44.96	55.9	58.98	2-18UNS
YH3106R36-xxxx	62.71	50.29	60.8	58.98	2 1/4-16UN

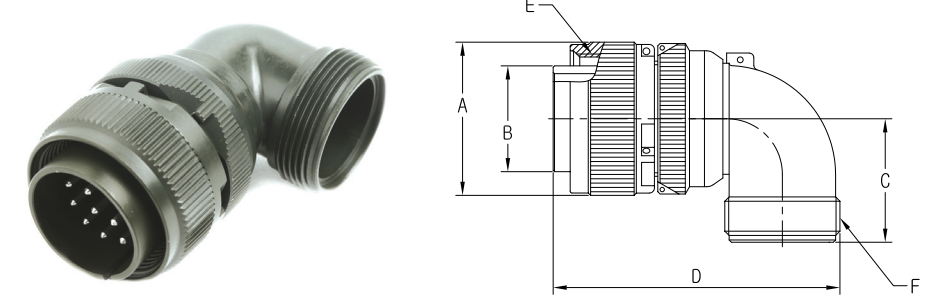
MIL-DTL-5015 Style CLASS A/E/F/R

90° Angle plug (MS3108)

YH3108 CLASS “A”

엔드벨에 YH3057 등의 악세사리와
함께 사용가능함.
오링 및 절연체 패킹, 부상제외.

Can be used with accessories such as
YH3057 at the endbell.
Excludes O-Ring, grommet and bushing.



UNIT: mm

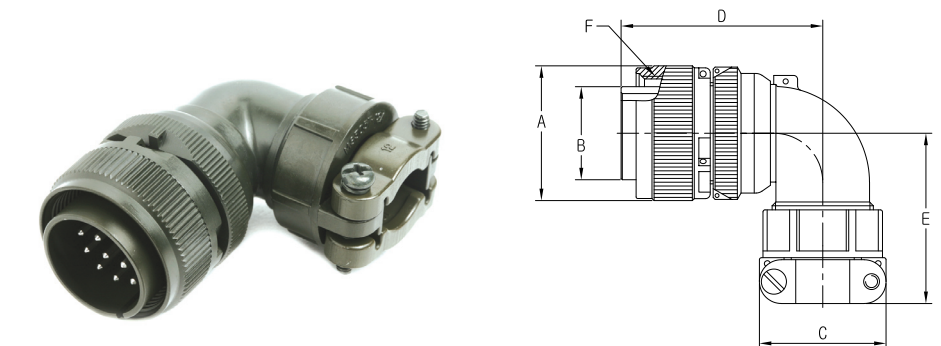
Part Number	A Dia. Max.	B Dia. +0.00 -0.38	C Max.	D Max.	E Thread. (Class : 2B)	F Thread. (Class : 2A)
YH3108A10SL-xxxx	24.61	11.33	25.40	55.58	5/8-24UNEF	5/8-24UNEF
YH3108A12S-xxxx	26.97	14.10	26.97	55.58	3/4-20UNEF	5/8-24UNEF
YH3108A12-xxxx	26.97	14.10	26.97	64.29	3/4-20UNEF	5/8-24UNEF
YH3108A14S-xxxx	29.36	17.15	28.57	58.72	7/8-20UNEF	3/4-20UNEF
YH3108A14-xxxx	29.36	17.15	28.57	68.26	7/8-20UNEF	3/4-20UNEF
YH3108A16S-xxxx	31.75	20.45	30.17	61.11	1-20UNEF	7/8-20UNEF
YH3108A16-xxxx	31.75	20.45	30.17	70.64	1-20UNEF	7/8-20UNEF
YH3108A18-xxxx	34.13	23.62	33.32	72.24	1 1/8-18UNEF	1-20UNEF
YH3108A20-xxxx	37.31	26.67	34.92	82.55	1 1/4-18UNEF	1 3/16-18UNEF
YH3108A22-xxxx	40.48	29.85	34.92	82.55	1 3/8-18UNEF	1 3/16-18UNEF
YH3108A24-xxxx	43.66	33.02	39.67	94.46	1 1/2-18UNEF	1 7/16-18UNEF
YH3108A28-xxxx	50.01	38.61	39.67	94.46	1 3/4-18UNS	1 7/16-18UNEF
YH3108A32-xxxx	56.36	44.96	47.62	106.38	2-18UNS	1 3/4-18UNS
YH3108A36-xxxx	62.71	50.29	52.37	109.14	2 1/4-16UN	2-18UNS

90° Angle Plug (MS3108)

YH3108 CLASS “E”, “R”

E - 오링제외,
R - 오링포함,
절연체 패킹 및 부상포함.

E - Excludes O-Ring
F - Includes O-Ring
Includes grommet and bushing.



UNIT: mm

Part Number	A Dia. Max.	B Dia. +0.00 -0.38	C Max.	D Max.	E Max.	F Thread. (Class : 2B)
YH3108R10SL-xxxx	24.61	11.33	22.7	45.0	38.10	5/8-24UNEF
YH3108R12S-xxxx	26.97	14.10	22.7	45.0	38.10	3/4-20UNEF
YH3108R12-xxxx	26.97	14.10	22.7	54.0	38.10	3/4-20UNEF
YH3108R14S-xxxx	29.36	17.15	27.5	47.0	40.49	7/8-20UNEF
YH3108R14-xxxx	29.36	17.15	27.5	55.0	40.49	7/8-20UNEF
YH3108R16S-xxxx	31.75	20.45	30.0	48.0	42.88	1-20UNEF
YH3108R16-xxxx	31.75	20.45	30.0	57.0	42.88	1-20UNEF
YH3108R18-xxxx	34.13	23.62	32.2	58.0	45.24	1 1/8-18UNEF
YH3108R20-xxxx	37.31	26.67	37.5	61.0	50.01	1 1/4-18UNEF
YH3108R22-xxxx	40.48	29.85	37.5	61.0	50.80	1 3/8-18UNEF
YH3108R24-xxxx	43.66	33.02	43.3	66.0	53.97	1 1/2-18UNEF
YH3108R28-xxxx	50.01	38.61	43.3	66.0	55.58	1 3/4-18UNS
YH3108R32-xxxx	56.36	44.96	51.7	72.0	65.89	2-18UNS
YH3108R36-xxxx	62.71	50.29	58.0	75.0	69.06	2 1/4-16UN

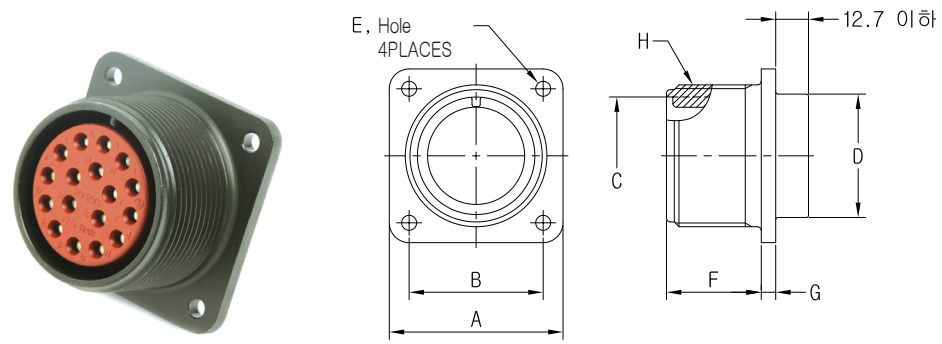
MIL-DTL-5015 Style CLASS "B" (Sprit Type)

Box Mounting Receptacle (MS3102)

YH3102 CLASS "B"

방수구조 아님.

Not a waterproof structure.



UNIT: mm

Part Number	A ±0.79	B ±0.12	C Dia. +0.38 -0.00	D Dia. Max.	E Dia. +0.25 -0.13	F +0.79 -0.00	G Max./Min.	H Thread. (Class : 2A)
YH3102B10SL-xxxx	25.40	18.26	11.38	15.9	3.05	14.28	3.96/1.58	5/8-24UNEF
YH3102B12S-xxxx	27.79	20.62	14.15	15.9	3.05	14.28	3.96/1.58	3/4-20UNEF
YH3102B12-xxxx	27.79	20.62	14.15	15.9	3.05	19.05	3.96/1.58	3/4-20UNEF
YH3102B14S-xxxx	30.18	23.01	17.33	19.0	3.05	14.28	3.96/1.58	7/8-20UNEF
YH3102B14-xxxx	30.18	23.01	17.33	19.0	3.05	19.05	3.96/1.58	7/8-20UNEF
YH3102B16S-xxxx	32.54	24.61	20.50	22.2	3.05	14.28	3.96/1.58	1-20UNEF
YH3102B16-xxxx	32.54	24.61	20.50	22.2	3.05	19.05	3.96/1.58	1-20UNEF
YH3102B18-xxxx	34.93	26.97	23.68	25.4	3.05	19.05	5.12/2.39	1 1/8-18UNEF
YH3102B20-xxxx	38.10	29.36	26.88	29.0	3.05	19.05	5.12/2.39	1 1/4-18UNEF
YH3102B22-xxxx	41.28	31.75	30.03	32.2	3.05	19.05	5.12/2.39	1 3/8-18UNEF
YH3102B24-xxxx	44.45	34.93	33.20	35.3	3.73	20.63	5.12/2.39	1 1/2-18UNEF
YH3102B28-xxxx	50.80	39.67	38.77	41.2	3.73	20.63	5.12/2.39	1 3/4-18UNS
YH3102B32-xxxx	57.15	44.45	45.12	47.6	4.39	22.23	9.11/3.18	2-18UNS
YH3102B36-xxxx	63.50	49.23	50.68	52.4	4.39	22.23	9.11/3.18	2 1/4-16UN

Straight Plug (MS3106)

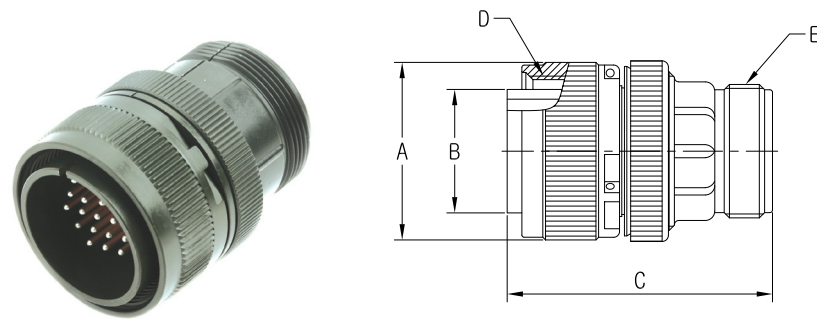
YH3106 CLASS "B"

엔드벨에 YH3057 등의 악세사리와 함께 사용가능함.

엔드벨 분리형.

방수구조 아님.

Can be used with accessories such as YH3057 at the endbell. Endbell may be separated. Not a waterproof structure.



UNIT: mm

Part Number	A Dia. Max.	B Dia. +0.00 -0.38	C Max.	D Thread. (Class : 2B)	E Thread. (Class : 2A)
YH3106B10SL-xxxx	24.61	11.33	38.88	5/8-24UNEF	5/8-24UNEF
YH3106B12S-xxxx	26.97	14.10	42.87	3/4-20UNEF	5/8-24UNEF
YH3106B12-xxxx	26.97	14.10	52.37	3/4-20UNEF	5/8-24UNEF
YH3106B14S-xxxx	29.36	17.15	42.87	7/8-20UNEF	3/4-20UNEF
YH3106B14-xxxx	29.36	17.15	52.37	7/8-20UNEF	3/4-20UNEF
YH3106B16S-xxxx	31.75	20.45	42.87	1-20UNEF	7/8-20UNEF
YH3106B16-xxxx	31.75	20.45	52.37	1-20UNEF	7/8-20UNEF
YH3106B18-xxxx	34.13	23.62	52.37	1 1/8-18UNEF	1-20UNEF
YH3106B20-xxxx	37.31	26.67	55.57	1 1/4-18UNEF	1 3/16-18UNEF
YH3106B22-xxxx	40.48	29.85	55.57	1 3/8-18UNEF	1 3/16-18UNEF
YH3106B24-xxxx	43.66	33.02	58.72	1 1/2-18UNEF	1 7/16-18UNEF
YH3106B28-xxxx	50.01	38.61	58.72	1 3/4-18UNS	1 7/16-18UNEF
YH3106B32-xxxx	56.36	44.96	61.92	2-18UNS	1 3/4-18UNS
YH3106B36-xxxx	62.71	50.29	61.92	2 1/4-16UN	2-18UNS

MIL-DTL-5015 Style CLASS "B" (Sprit Type)

90° Angle Plug (MS3108)

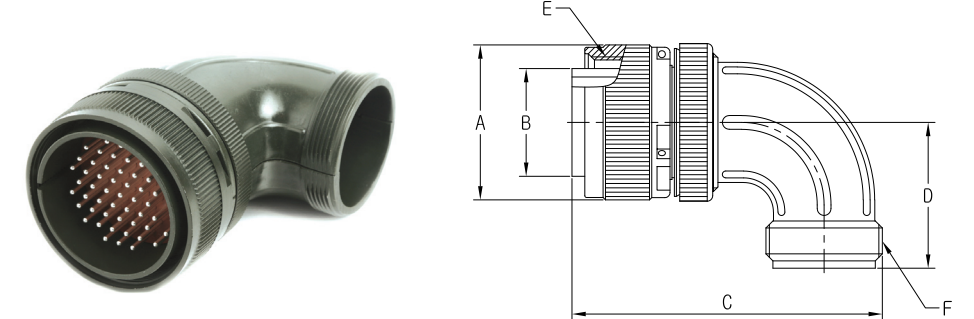
YH3108 CLASS "B"

엔드벨에 YH3057 등의 악세사리와 함께 사용가능함.

엔드벨 분리형.

방수구조 아님.

Can be used with accessories such as YH3057 at the endbell. Endbell may be separated. Not a waterproof structure.



UNIT: mm

Part Number	A Dia. Max.	B Dia. +0.00 -0.38	C Max.	D Max.	E Thread. (Class : 2B)	F Thread. (Class : 2A)
YH3108B10SL-xxxx	24.61	11.33	46.02	25.40	5/8-24UNEF	5/8-24UNEF
YH3108B12S-xxxx	26.97	14.10	50.80	26.97	3/4-20UNEF	5/8-24UNEF
YH3108B12-xxxx	26.97	14.10	57.15	26.97	3/4-20UNEF	5/8-24UNEF
YH3108B14S-xxxx	29.36	17.15	53.97	29.36	7/8-20UNEF	3/4-20UNEF
YH3108B14-xxxx	29.36	17.15	58.72	29.36	7/8-20UNEF	3/4-20UNEF
YH3108B16S-xxxx	31.75	20.45	60.32	31.75	1-20UNEF	7/8-20UNEF
YH3108B16-xxxx	31.75	20.45	65.07	31.75	1-20UNEF	7/8-20UNEF
YH3108B18-xxxx	34.13	23.62	68.27	33.32	1 1/8-18UNEF	1-20UNEF
YH3108B20-xxxx	37.31	26.67	76.98	34.92	1 1/4-18UNEF	1 3/16-18UNEF
YH3108B22-xxxx	40.48	29.85	86.51	34.92	1 3/8-18UNEF	1 3/16-18UNEF
YH3108B24-xxxx	43.66	33.02	86.51	39.67	1 1/2-18UNEF	1 7/16-18UNEF
YH3108B28-xxxx	50.01	38.61	93.98	39.67	1 3/4-18UNS	1 7/16-18UNEF
YH3108B32-xxxx	56.36	44.96	100.02	47.62	2-18UNS	1 3/4-18UNS
YH3108B36-xxxx	62.71	50.29	120.65	52.37	2 1/4-16UN	2-18UNS

MIL-DTL-5015 Style

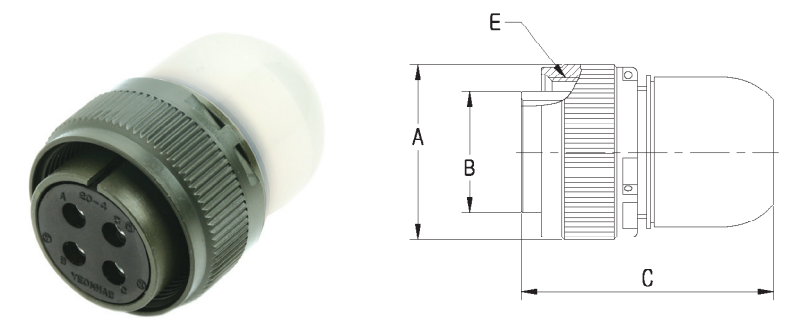
Straight Plug (MS25183)

YH25183

포트타입.

오링포함.

Pot Type. Includes O-Ring.



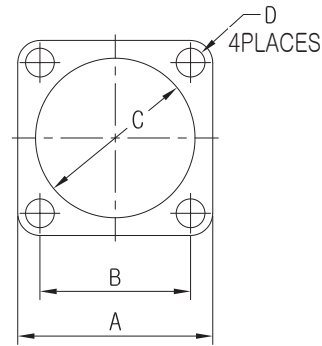
UNIT: mm

Part Number	A Dia. Max.	B Dia. +0.00 -0.38	C Max.	E Thread. (Class : 2B)
YH25183-10SL-xxxx	24.61	11.33	38.10	5/8-24UNEF
YH25183-12S-xxxx	26.97	14.10	38.10	3/4-20UNEF
YH25183-12-xxxx	26.97	14.10	48.41	3/4-20UNEF
YH25183-14S-xxxx	29.36	17.15	38.10	7/8-20UNEF
YH25183-14-xxxx	29.36	17.15	48.41	7/8-20UNEF
YH25183-16S-xxxx	31.75	20.45	38.10	1-20UNEF
YH25183-16-xxxx	31.75	20.45	48.41	1-20UNEF
YH25183-18-xxxx	34.13	23.62	48.41	1 1/8-18UNEF
YH25183-20-xxxx	37.31	26.67	55.52	1 1/4-18UNEF
YH25183-22-xxxx	40.48	29.85	55.52	1 3/8-18UNEF
YH25183-24-xxxx	43.66	33.02	55.52	1 1/2-18UNEF
YH25183-28-xxxx	50.01	38.61	55.52	1 3/4-18UNS
YH25183-32-xxxx	56.36	44.96	55.52	2-18UNS
YH25183-36-xxxx	62.71	50.29	55.52	2 1/4-16UN

MIL-DTL-5015 Style Accessories

Sealing Gasket (MS52000)

YH 52000 - 1
Size
Part Number



UNIT: mm

Part Number	Shell Size	A +0.40 -0.00	B ±0.25	C Dia. +0.4 -0.0	D Dia. ±0.25
YH52000-1	10SL	25.40	18.26	15.88	4.37
YH52000-2	12	27.79	20.62	19.05	4.37
YH52000-3	14	30.18	23.01	22.23	4.37
YH52000-4	16	32.54	24.61	25.40	4.37
YH52000-5	18	34.93	26.97	28.58	5.16
YH52000-6	20	38.10	29.36	31.75	5.16
YH52000-7	22	41.28	31.75	34.93	5.16
YH52000-8	24	44.45	34.93	38.10	5.16
YH52000-9	28	50.80	39.67	44.45	5.16
YH52000-10	32	57.15	44.45	50.80	5.56
YH52000-11	36	63.50	49.23	57.05	5.56

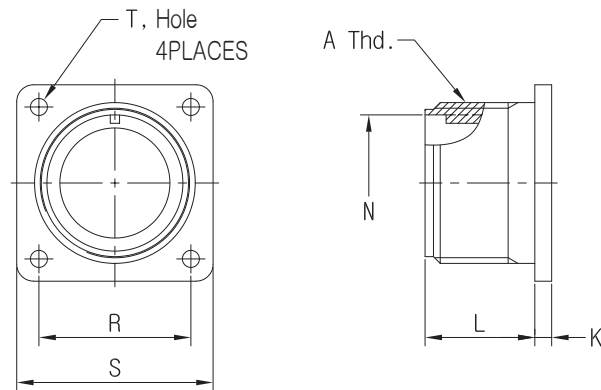
Dummy Receptacle (MS3105)

YH3105

더미사각.
YH3106 또는 YH3108 플러그와 결합.

Dummy receptacle.
Used with YH3106 or YH3108 plug.

YH 3105 - 10S
Size
Part Number



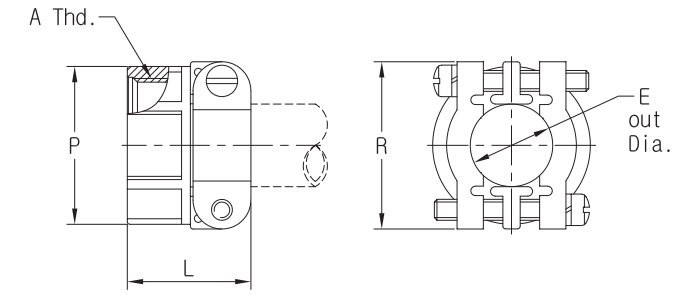
UNIT: mm

Part Number	A Thread. (Class : 2A)	K Max./Min.	L +0.79 -0.00	N ±0.79	R ±0.12	S ±0.79	T +0.25 -0.13
YH3105-10S	5/8-24UNEF	3.96/1.98	14.27	8.20	18.26	25.40	3.05
YH3105-12S	3/4-20UNEF	3.96/1.98	14.27	11.43	20.62	27.79	3.05
YH3105-12	3/4-20UNEF	3.96/1.98	19.05	11.43	20.62	27.79	3.05
YH3105-14S	7/8-20UNEF	3.96/1.98	14.27	13.36	23.01	30.18	3.05
YH3105-14	7/8-20UNEF	3.96/1.98	19.05	13.36	23.01	30.18	3.05
YH3105-16S	1-20UNEF	3.96/1.98	14.27	16.41	24.61	32.54	3.05
YH3105-16	1-20UNEF	3.96/1.98	19.05	16.41	24.61	32.54	3.05
YH3105-18	1 1/8-18UNEF	3.96/1.98	19.05	19.58	26.97	34.93	3.05
YH3105-20	1 1/4-18UNEF	5.16/2.39	19.05	23.55	29.36	38.10	3.05
YH3105-22	1 3/8-18UNEF	5.16/2.39	19.05	25.93	31.75	41.28	3.05
YH3105-24	1 1/2-18UNEF	5.16/2.39	20.62	29.21	34.93	44.45	3.73
YH3105-28	1 3/4-18UNS	5.16/2.39	20.62	34.67	39.67	50.80	3.73
YH3105-32	2-18UNS	9.12/3.18	22.22	41.15	44.45	57.15	4.39
YH3105-36	2 1/4-16UN	9.12/3.18	22.22	46.56	49.23	63.50	4.39

MIL-DTL-5015 Style Accessories

YH3057 (MS3057) Cable Clamp

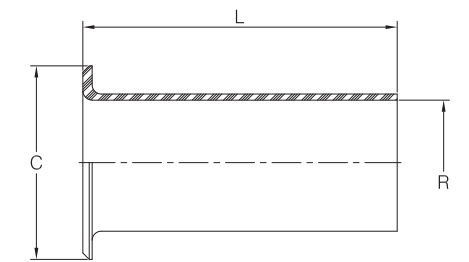
YH 3057 - 4A
Size
Part Number



Part Number	Shell Size	E		L ±0.79	p ±0.79	R ±0.79	A Thread (Class : 2B)
		Min.	Max.				
YH3057-4A	10SL,12S,12	3.56	7.92	20.62	20.62	22.22	5/8-24UNEF
YH3057-6A	14S,14	4.95	11.13	22.22	24.61	26.97	3/4-20UNEF
YH3057-8A	16S,16	6.48	14.27	23.83	27.79	29.36	7/8-20UNEF
YH3057-10A	18	7.24	15.88	23.83	30.18	31.75	1-20UNEF
YH3057-12A	20,22	8.89	19.05	23.83	34.92	37.31	1 3/16-18UNEF
YH3057-16A	24,28	11.89	23.83	26.19	42.06	42.88	1 7/16-18UNEF
YH3057-20A	32	16.87	31.75	27.79	51.59	51.59	1 3/4-18UNS
YH3057-24A	36	17.63	34.92	29.36	56.36	57.94	2-18UNS

YH3420 (MS3420) Rubber Bushing

YH 3420 - 4
Size
Part Number



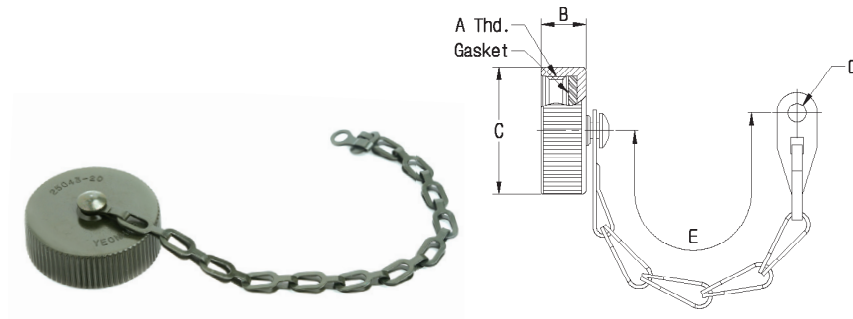
Part Number	Shell Size	C ±0.41	L ±0.79	R ±0.41
YH3420-4	10SL,12,12S	12.83	69.85	5.59
YH3420-6	14,14S	15.72	66.68	7.92
YH3420-8	16,16S	18.90	63.50	11.10
YH3420-10	18	22.58	60.32	14.27
YH3420-12	20,22	27.53	57.15	15.88
YH3420-16	24,28	33.38	53.98	19.05
YH3420-20	32	40.54	50.80	23.80
YH3420-24	36	46.91	47.62	31.75

MIL-DTL-5015 Style Accessories

YH25043 (MS25043) Protective Cap (Receptacle)

YH 25043 - 18D

Shell Size
Part Number

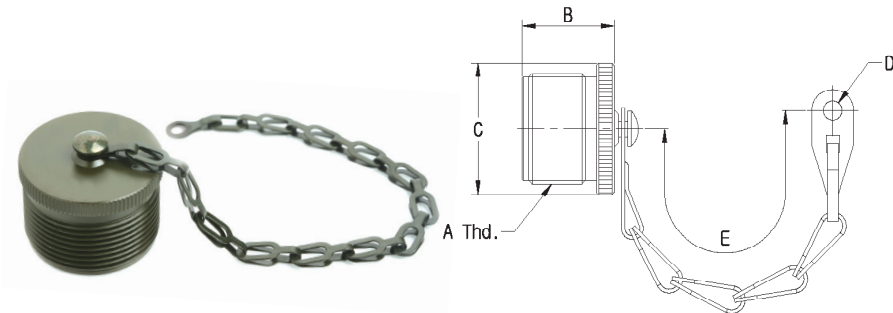


Part Number	Shell Size	B Max.	C Dia Max.	E ±One Link	D Dia +0.25 -0.13	A Thread (Class : 2B)
YH25043-10D	10S,10SL	11.91	20.70	101.6	3.56	5/8-24UNEF
YH25043-12D	12S,12SL	11.91	25.40	114.3	3.56	3/4-20UNEF
YH25043-14D	14,14S	11.91	25.58	114.3	3.56	7/8-20UNEF
YH25043-16D	16,16S	11.91	30.18	114.3	3.56	1-20UNEF
YH25043-18D	18	11.91	34.14	114.3	3.56	1 1/8-18UNEF
YH25043-20D	20	11.91	37.31	127.0	3.56	1 1/4-18UNEF
YH25043-22D	22	11.91	40.49	127.0	3.56	1 3/8-18UNEF
YH25043-24D	24	11.91	43.66	139.7	4.34	1 1/2-18UNEF
YH25043-28D	28	13.49	50.01	196.9	4.34	1 3/4-18UNS
YH25043-32D	32	13.49	56.36	196.9	4.75	2-18UNS
YH25043-36D	36	13.49	62.71	196.9	4.75	2 1/4-16UN

YH25042 (MS25042) Protective Cap (Plug)

YH 25042 - 20D

Shell Size
Part Number



Part Number	Shell Size	B Max.	C Dia Max.	E ±One Link	D Dia +0.25 -0.13	A Thread (Class : 2A)
YH25042-10D	10S,10SL	16.66	17.45	114.30	3.96	5/8-24UNEF
YH25042-12D	12S,12SL	21.44	20.62	127.00	3.96	3/4-20UNEF
YH25042-14D	14,14S	21.44	23.80	127.00	3.96	7/8-20UNEF
YH25042-16D	16S,16SL	21.44	26.97	127.00	3.96	1-20UNEF
YH25042-18D	18	21.44	30.15	127.00	3.96	1 1/8-18UNEF
YH25042-20D	20	21.44	33.32	139.70	4.75	1 1/4-18UNEF
YH25042-22D	22	21.44	36.50	139.70	4.75	1 3/8-18UNEF
YH25042-24D	24	21.44	39.67	152.40	4.75	1 1/2-18UNEF
YH25042-28D	28	21.44	46.02	209.55	4.75	1 3/4-18UNS
YH25042-32D	32	21.44	52.37	209.55	5.54	2-18UNS
YH25042-36D	36	21.44	58.72	209.55	5.54	2 1/4-16UN

MIL-DTL-5015 Style Dust Cap



The polyethylene dust caps provide added protection for precision-built YH connectors during storage and handling, in assembling with equipment, protective caps cover threaded sections of plugs and receptacles, assure against damage to thread from any cause permit lowcost, attractive coverings which protect contacts and the insulation from dust, dirt and handling damage.

Part Number	YH3100F,R		YH3102F,R		YH3106/YH3108F,R		Part Number	YH3100F,R		YH3102F,R		YH3106/YH3108F,R	
	Coupling End	Solder Pot End	Coupling End	Solder Pot End	Coupling End	Solder Pot End		Coupling End	Solder Pot End	Coupling End	Solder Pot End	Coupling End	Solder Pot End
YH01-90376				8S	8S		YH21-90376						22
YH02-90376	8S	8S,10S	8S	8S,10S		8S,10S	YH22-90376						24
YH03-90376	10S,10SL	10SL,12S,12	10S,10SL	10SL,12S,12	10SL,12S,12	10SL,12S,12	YH23-90376						28
YH04-90376	12S,12	14S,14	12S,12	14S,14		14S,14	YH24-90376						32
YH05-90376	14S,14	16S,16	14S,14	16S,16		16S,16	YH25-90376						36
YH06-90376				18			YH26-90376						40
YH07-90376				20	20		YH27-90376						44
YH08-90376	20		20	22			YH28-90376						48
YH09-90376	22		22	24			YH29-90376	16S,16	18	16S,16	48		18
YH10-90376				28			YH30-90376		20,22		36	22	20,22
YH11-90376				32			YH31-90376		24,28		40		24,28
YH12-90376				36			YH32-90376	28	32	28	44		32
YH13-90376				40			YH33-90376	32	36	32	32		36
YH14-90376				44			YH34-90376	36	40	36	24,28		40
YH15-90376				48			YH35-90376	40	44	40	20,22		44
YH16-90376					10S,10SL		YH36-90376	48		48	18		48
YH17-90376					12S,12		YH37-90376	18		18			
YH18-90376					14S,14		YH38-90376	24		24			
YH19-90376					16S,16		YH39-90376	44	48	44			
YH20-90376					18								

MIL-DTL-5015 Style 접점 배열도 (Contact Arrangements)

	Shell Size 8				Shell Size 10				Shell Size 12							
Insert Arrangement Service Rating Number of Contacts Contact Size																
	8S-1	10S-2	10SL-3	10SL-4	12S-1	12S-3	12S-4	12S-5	14S-1	14S-2	14-3	14S-4	14S-5	14S-6	14S-7	14S-9
	A	A	INST, A	A	A	A	D	D	A	INST	A	D	INST	INST	A	D
	1	1	3	2	2	2	1	1	3	4	1	1	5	6	3	2
	16	16	16	16	16	16	16	16	16	8	16	16	16	16	16	16
Shell Size 14																
Insert Arrangement Service Rating Number of Contacts Contact Size																
	14S-12	16S-01				16S-1		16S-4	16S-5	16S-6						
	A	A				A		D	A	A						
	3	8				7		2	3	3						
	16	16				16		16	16	16						
Shell Size 16																
Insert Arrangement Service Rating Number of Contacts Contact Size																
	16S-8	16-9	16-10	16-11	16-12	16-13										
	A	A	A	A	A	A										
	5	2	3	2	1	2										
	16	12	12	12	4	12										
Shell Size 18																
Insert Arrangement Service Rating Number of Contacts Contact Size																
	18-1	18-2	18-3	18-4	18-5	18-8										
	A(B,C,F,G)	24V	D	D	D	A										
	10	3	2	4	1	7										
	16	16	12	16	12	16										
Shell Size 18																
Insert Arrangement Service Rating Number of Contacts Contact Size																
	18-9	18-10	18-11	18-12	18-13	18-14										
	INST	A	A	A	A	A										
	5	4	5	6	3	1										
	16	12	12	16	8	16										

1. View looking into front face of pin insert (+insulator).
 2. Please make a direct inquiry for the information not contained in the table.
 3. The contact arrangement in the table meets the MIL-STD-1651 standards.



MIL-DTL-5015 Style 접점 배열도 (Contact Arrangements)

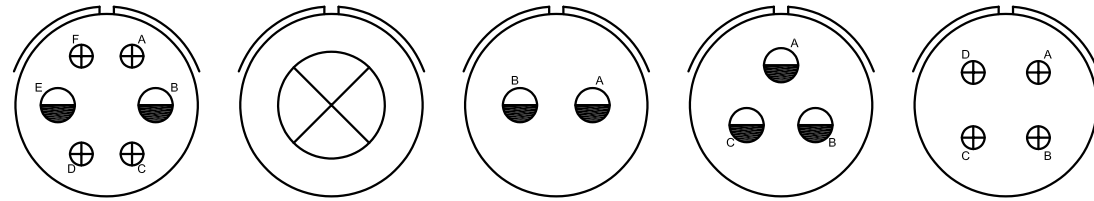
	Shell Size 18					
Insert Arrangement Service Rating Number of Contacts Contact Size						
	18-16	18-18	18-19	18-20	18-21	18-22
	C	INST	A	A	A	D
	1	5	10	5	3	3
	12	16	16	16	12	16
Shell Size 20						
Insert Arrangement Service Rating Number of Contacts Contact Size						
	20-01	20-2	20-3	20-4	20-7	
	A	D	D	D	A(ALL OTHERS)	
	10	1	3	4	8	
	16	0	12	12	16	
Shell Size 20						
Insert Arrangement Service Rating Number of Contacts Contact Size						
	20-8	20-10	20-11	20-15	20-16	
	INST	A	INST	A	A	
	4	4	13	7	7	
	16	16	16	12	12	
Shell Size 20						
Insert Arrangement Service Rating Number of Contacts Contact Size						
	20-17	20-18	20-22	20-23	20-24	
	A	A	A	A	A	
	1	6	3	2	2	
	16	12	16	8	16	
Shell Size 20				Shell Size 22		
Insert Arrangement Service Rating Number of Contacts Contact Size						
	20-27	20-29	20-33	22-2	22-4	
	A	A	A	D	A	
	14	17	11	3	2	
	16	16	8	8		

1. View looking into front face of pin insert (+insulator).
 2. Please make a direct inquiry for the information not contained in the table.
 3. The contact arrangement in the table meets the MIL-STD-1651 standards.



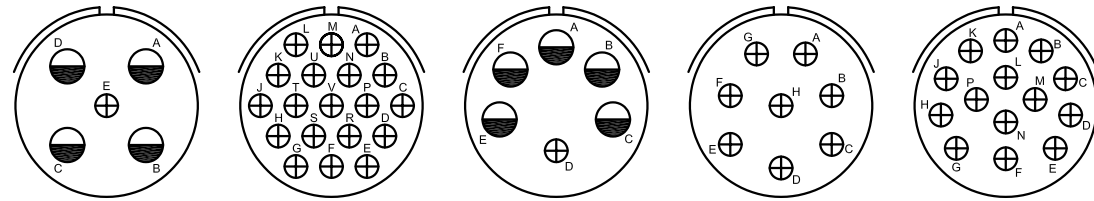
MIL-DTL-5015 Style 접점 배열도 (Contact Arrangements)

Shell Size 22



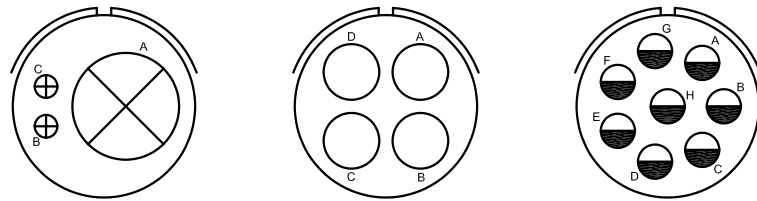
Insert Arrangement	22-5	22-7	22-8	22-9	22-10
Service Rating	D	E	E	E	E
Number of Contacts	4	1	2	3	4
Contact Size	16 12	0	12	12	16

Shell Size 22



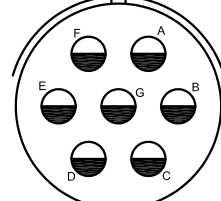
Insert Arrangement	22-13	22-14	22-15	22-18	22-19
Service Rating	A(ALL OTHERS) D(E)	A	A(ALL OTHERS) D(E)	A(C,D,E) D(ALL OTHERS)	A
Number of Contacts	1 4	19	1 5	8	14
Contact Size	16 12	16	16 12	8 16	16

Shell Size 22



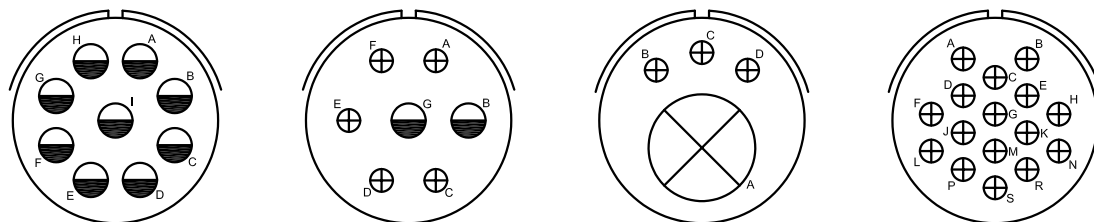
Insert Arrangement	22-21	22-22	22-23
Service Rating	A	A	A(ALL OTHERS), D(H)
Number of Contacts	2 2	4	8
Contact Size	16 0	8	12

Shell Size 24



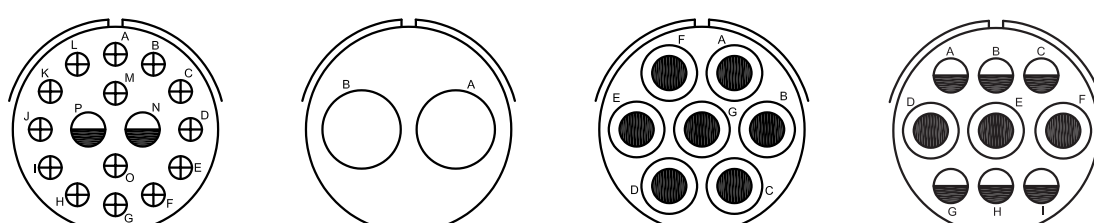
Insert Arrangement	24-2
Service Rating	D
Number of Contacts	7
Contact Size	12

Shell Size 24



Insert Arrangement	24-02	24-3	24-4	24-5
Service Rating	A	D	D	A
Number of Contacts	9	5 2	3 1	16
Contact Size	12	16 12	16 0	16

Shell Size 24



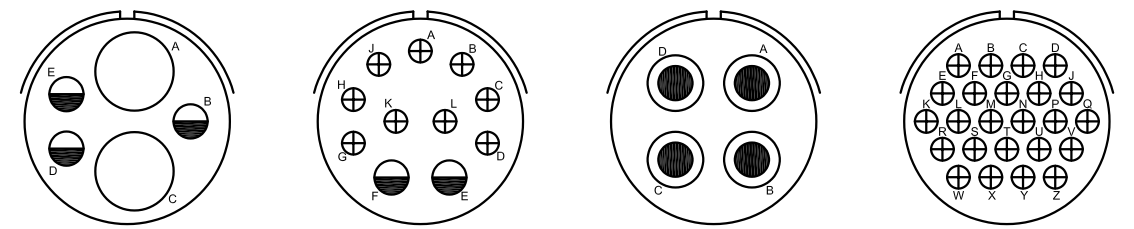
Insert Arrangement	24-7	24-9	24-10	24-11
Service Rating	A	A	A	A
Number of Contacts	14 2	2	7	6 3
Contact Size	16 12	4	8	12 8

1. View looking into front face of pin insert (+insulator).
2. Please make a direct inquiry for the information not contained in the table.
3. The contact arrangement in the table meets the MIL-STD-1651 standards.



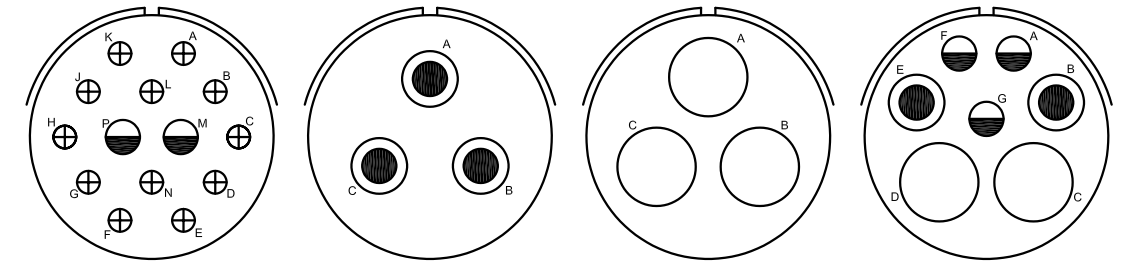
MIL-DTL-5015 Style 접점 배열도 (Contact Arrangements)

Shell Size 24



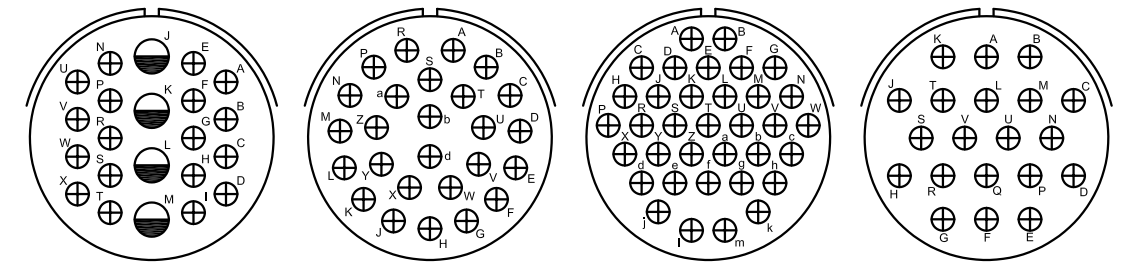
Insert Arrangement	24-12	24-20	24-22	24-28
Service Rating	A	D	D	INST
Number of Contacts	3 2	9 2	4	24
Contact Size	12 4	16 12	8	12

Shell Size 28



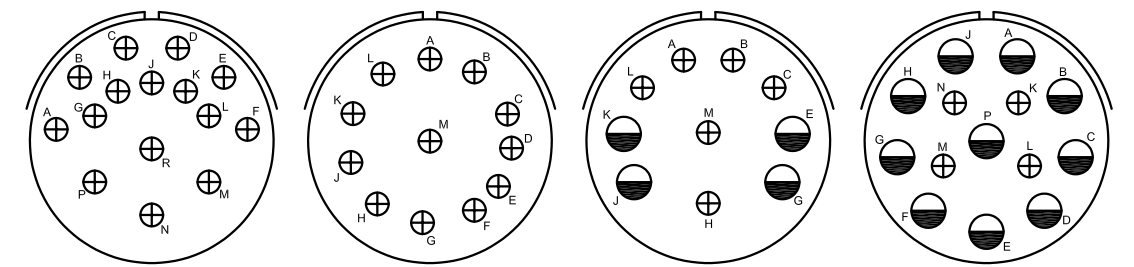
Insert Arrangement	28-2	28-3	28-6	28-10
Service Rating	D	E	D	A(ALL OTHERS), D(G)
Number of Contacts	12 2	3	3	3 2 2
Contact Size	16 12	8	4	12 8 4

Shell Size 28



Insert Arrangement	28-11	28-12	28-15	28-16
Service Rating	A	A	A	A
Number of Contacts	18 4	26	35	20
Contact Size	16 12	16	16	16

Shell Size 28



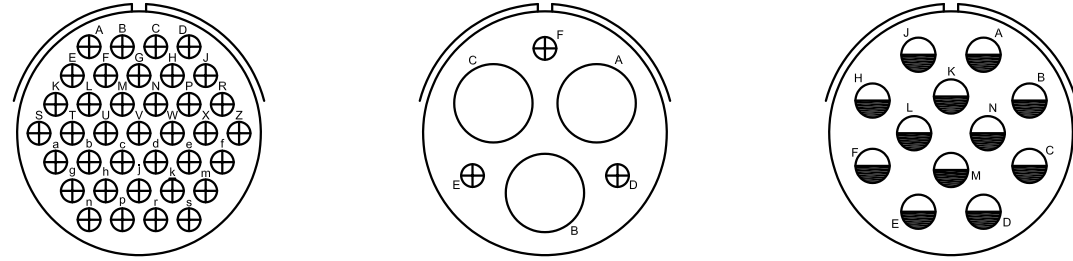
Insert Arrangement	28-17	28-18	28-19	28-20
Service Rating	A(ALL OTHERS) B(R), D(M,N,P)	A(A,B), C(M), INST(C,D,E,F) D(ALL OTHERS)	A(ALL OTHERS) B(H,M), D(A,B)	A
Number of Contacts	15	12	6 4	4 9
Contact Size	16	16	16 12	16 12

1. View looking into front face of pin insert (+insulator).
2. Please make a direct inquiry for the information not contained in the table.
3. The contact arrangement in the table meets the MIL-STD-1651 standards.



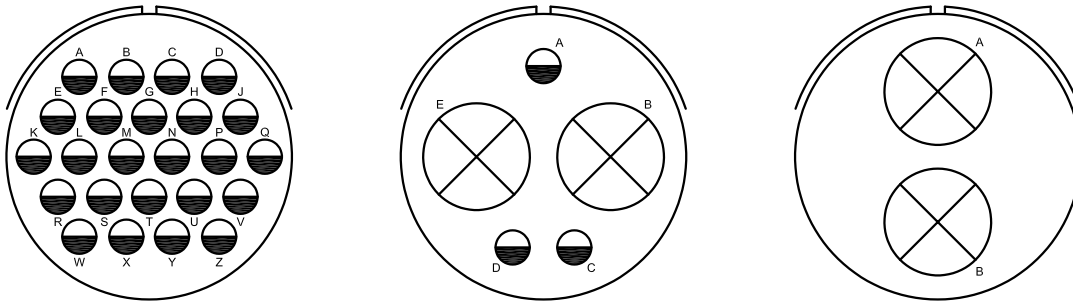
MIL-DTL-5015 Style 접촉 배열도 (Contact Arrangements)

Shell Size 28



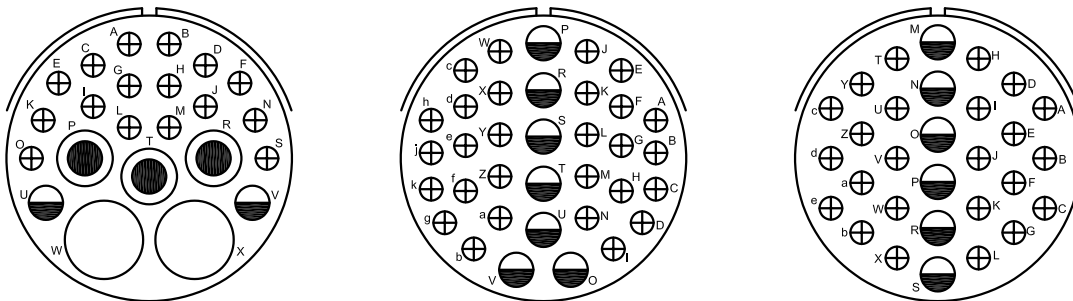
Insert Arrangement	28-21	28-22	28-51
Service Rating	A	D	A
Number of Contacts	37	3 3	12
Contact Size	16	16 4	12

Shell Size 32



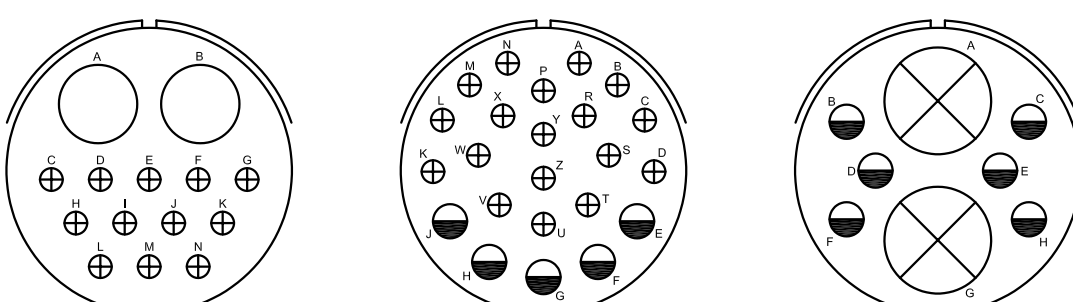
Insert Arrangement	32-01	32-1	32-5
Service Rating	A	E(A), D(ALL OTHERS)	D
Number of Contacts	24	3 2	2
Contact Size	12	12 0	0

Shell Size 32



Insert Arrangement	32-6	32-7	32-8
Service Rating	A	A(ALL OTHERS), INST(A,B,h,j)	A
Number of Contacts	16 2 3 2	28 7	24 6
Contact Size	16 12 8 4	16 12	16 12

Shell Size 32



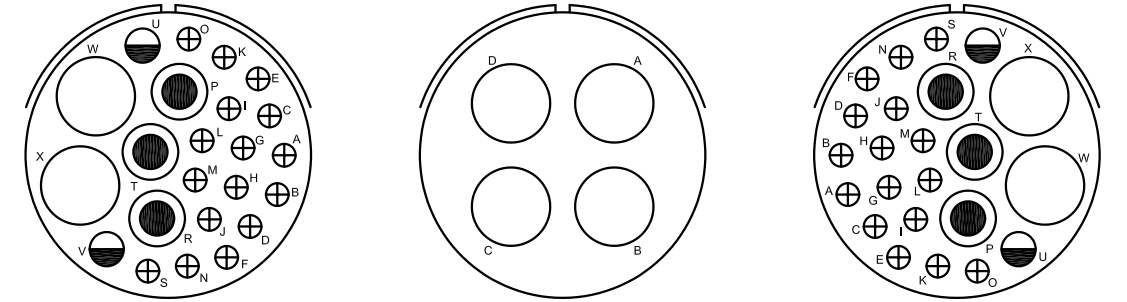
Insert Arrangement	32-9	32-13	32-15
Service Rating	D	D	D
Number of Contacts	12 2	18 5	6 2
Contact Size	16 4	16 12	12 0

1. View looking into front face of pin insert (+insulator).
2. Please make a direct inquiry for the information not contained in the table.
3. The contact arrangement in the table meets the MIL-STD-1651 standards.



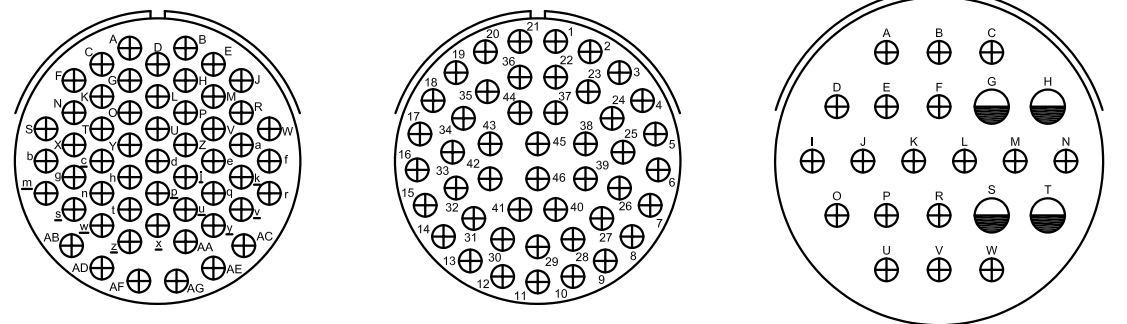
MIL-DTL-5015 Style 접촉 배열도 (Contact Arrangements)

Shell Size 32



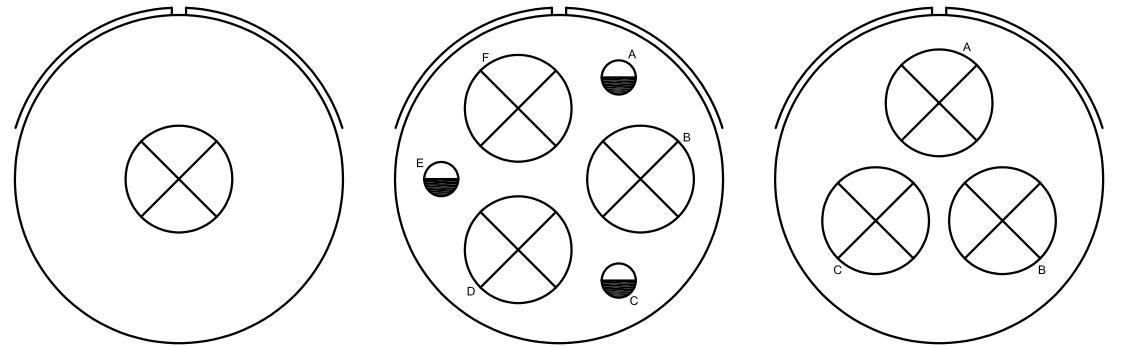
Insert Arrangement	32-16	32-17	32-20
Service Rating	A	D	A
Number of Contacts	16 2 3 2	4	16 2 3 2
Contact Size	16 12 8 4	4	16 12 8 4

Shell Size 32



Insert Arrangement	32-22	32-73	36-1
Service Rating	A	A	D
Number of Contacts	54	46	18 4
Contact Size	16	16	16 12

Shell Size 36



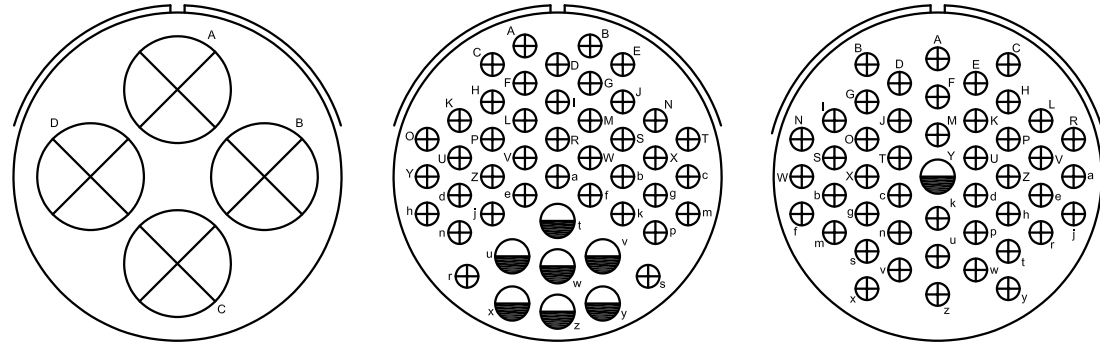
Insert Arrangement	36-03	36-3	36-4
Service Rating	A	D	A(B,C), D(A)
Number of Contacts	1	3 3	3
Contact Size	0	12 0	0

1. View looking into front face of pin insert (+insulator).
2. Please make a direct inquiry for the information not contained in the table.
3. The contact arrangement in the table meets the MIL-STD-1651 standards.



MIL-DTL-5015 Style 접점 배열도 (Contact Arrangements)

Shell Size 36



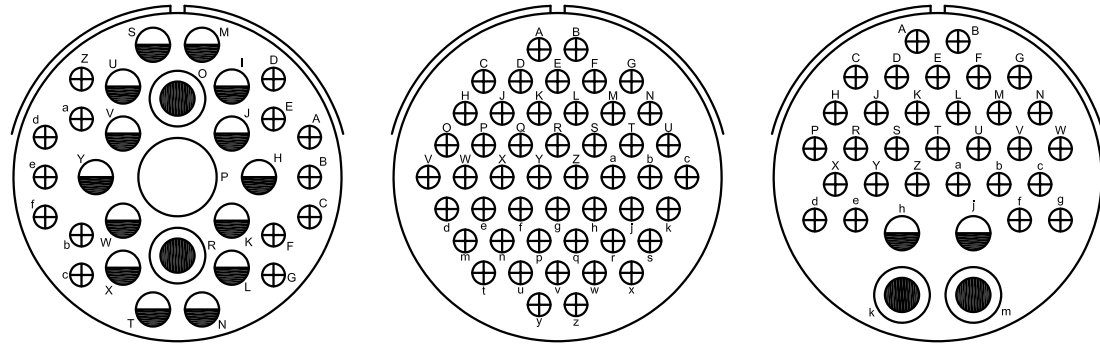
Insert Arrangement
Service Rating
Number of Contacts
Contact Size

36-5
A
4
0

36-7
A
40 7
16 12

36-8
A
46 1
16 12

Shell Size 36



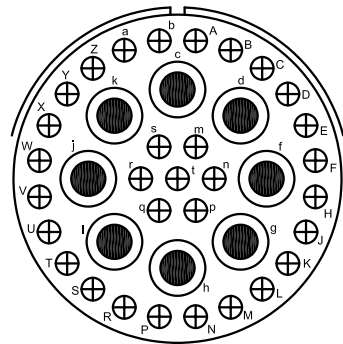
Insert Arrangement
Service Rating
Number of Contacts
Contact Size

36-9
A
14 14 2 1
16 12 8 4

36-10
A
48
16

36-20
A
30 2 2
16 12 8

Shell Size 36



Insert Arrangement
Service Rating
Number of Contacts
Contact Size

36-54
A
31 8
16 8

1. View looking into front face of pin insert (+insulator).
2. Please make a direct inquiry for the information not contained in the table.
3. The contact arrangement in the table meets the MIL-STD-1651 standards.

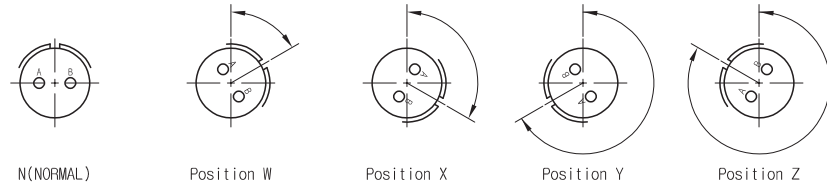


MIL-DTL-5015 Style 배열에 따른 접점구성 (Contact Arrangements & Formation)

Shell Size	Pin	Pin					Shell Size	PIN	Pin					Shell Size	Pin	Pin				
		20	16	12	8	4			0	20	16	12	8			4	0	20	16	12
		10 size					20-13	13	13					28-16	20	20				
10S-2	1	1					20-15	7	7					28-17	15	15				
10SL-3	3	3					20-16	9	7 2					28-18	12	12				
10SL-4	2	2					20-17	6	1 5					28-19	10	6 4				
		12 size					20-18	9	6 3					28-20	14	4 10				
12S-1	2	2					20-19	3	3					28-21	37	37				
12S-3	2	2					20-22	6	3 3					28-22	6	3 3				
12S-4	1	1					20-23	2	2					28-51	12	12				
12S-5	1	1					20-24	4	2 2					28-56	16	14 2				
12S-01	3	3					20-27	14	14							32 size				
12-5	1	1					20-29	17	17					32-1	5	3 2				
		14 size					20-01	10	10					32-5	2	2				
14S-1	3	3					20-02	10	8 2					32-6	23	16 2 3 2				
14S-2	4	4					20-03	3	1 2					32-7	35	28 7				
14S-3	1	1							22 size					32-8	30	24 6				
14S-4	1	1					22-2	3	3					32-13	23	18 5				
14S-5	5	5					22-4	4	2					32-15	8	6 2				
14S-6	6	6					22-5	6	4 2					32-16	23	16 2 3 2				
14S-7	3	3					22-7	1	1					32-17	4	4				
14S-9	2	2 1					22-8	2	2					32-22	54	54				
14-3	1	1					22-9	3	3					32-73	46	46				
		16 size					22-10	4	4					32-01	24	24				
16S-01	8	8					22-14	19	19					32-02	16	16				
16-9	4	2 2					22-15	6	1 5					32-03	3	3				
16-10	3	3					22-18	8	8					32-04	7	7				
16-11	2	2					22-19	14	14					32-05	28	18 8 2				
16-12	1	1					22-22	4	4					32-59	40	38 2				
16-13	2	2					22-23	8	8							36 size				
16S-1	7	7					22-27	9	8 1					36-1	22	18				
16S-4	2	2					22-01	12	8 4					36-4	3	3				
16S-5	3	3					22-02	9	9					36-5	4	4				
16S-8	5	5							24 size					36-7	47	40				
		18 size					24-2	7	7					36-8	47	46				
18-1	10	10					24-3	7	5 2					36-9	31	14 14 2 1				
18-2	3	3					24-4	4	3 3					36-10	48	48				
18-3	2	2					24-5	16	16					36-20	34	30 2 2				
18-4	4	4					24-7	16	14 2					36-02	27	27				
18-5	3	1 2					24-9	2	2					36-52	52	52				
18-8	8	7 1					24-10	7	7											
18-9	7	5 2					24-11	9	6 3											
18-10	4	4					24-12	5	3 2											
18-11	5	6 5					24-20	11	9 2											
18-12	6	6					24-22	4	4											
18-16	1	1					24-28	24	24											
18-18	7	5 2					24-01	2	2											
18-19	10	10					24-02	9	9											
18-20	5	5					24-03	12	12											
18-21	3	3							28 size											
18-01	8	8					28-2	14	12 2											
		20 size					28-3	3	3											
20-2	1	1					28-7	2	2											
20-3	3	3					28-9	7	3 2 2											
20-4	4	4 1					28-10	7	3 2 2											
20-7	8	8					28-11	22	18 4											
20-8	6	4 2					28-12	26	26											
20-10	4	4					28-15	35	35											

Please make a direct inquiry for the information not contained in the table. (Follow the MIL-STD-1651 standards.)

MIL-DTL-5015 Style 절연체 회전위치(Alternate Insert Positions)



View looking into front face of pin insert or rear of socket insert.

Shell Size	Insert Arrangement	Service Rating	Total Contact	Contact Size					Alternate Positions						
				0	4	8	12	16	W	X	Y	Z			
10SL	10SL-3	A	3					3	-	-	-	-	-	-	
	10SL-4	A	2					2	-	-	-	-	-	-	
12S	12S-3	A	2					2	70	145	215	290			
	12S-4	D	1					1	-	-	-	-	-	-	
12	12-5	D	1					1	-	-	-	-	-	-	
14S	14S-1	A	3					3	-	-	-	-	-	-	
	14S-2	Inst.	4					4	-	120	240	-	-	-	
	14S-5	Inst.	5					5	-	110	-	-	-	-	
	14S-6	Inst.	6					6	-	-	-	-	-	-	
	14S-7	A	3					3	90	180	270	-	-	-	
	14S-9	A	2					2	70	145	215	290	-	-	
14	14-3	A	1					1	-	-	-	-	-	-	
16S	16S-1	A	7					7	80	-	-	280	-	-	
	16S-4	D	2					2	35	110	250	325	-	-	
	16S-5	A	3					3	70	145	215	290	-	-	
	16S-6	A	3					3	90	180	270	-	-	-	
	16S-8	A	5					5	-	170	265	-	-	-	
	16S-9	A	3					3	90	180	270	-	-	-	
16	16-7	A	3					3	80	110	250	280	-	-	
	16-9	A	4					4	35	110	250	325	-	-	
	16-10	A	3					3	90	180	270	-	-	-	
	16-11	A	2					2	35	110	250	325	-	-	
	16-12	A	1					1	-	-	-	-	-	-	
	16-13	A	2					2	35	110	250	325	-	-	
	18	18-1	A/Inst.	10					10	70	145	215	290	-	-
	18-2	24V	3					3	-	-	-	-	-	-	-
	18-3	D	2					2	35	110	250	325	-	-	
	18-4	D	4					4	35	110	250	325	-	-	
	18-5	D	3					3	80	110	250	280	-	-	
	18-8	A	8					8	70	-	-	290	-	-	
18-9	Inst.	7					7	5	80	110	250	280	-	-	
18-10	A	4					4	-	120	240	-	-	-		
18-11	A	5					5	-	170	265	-	-	-		
18-12	A	6					6	80	-	-	280	-	-		
18-13	A	4					4	80	110	250	280	-	-		
18-16	C	1					1	-	-	-	-	-	-		
18-18	Inst.	7					7	5	-	-	-	-	-		
18-19	A	10					10	-	120	240	-	-	-		
18-20	A	5					5	90	180	270	-	-	-		
18-21	A	3					3	-	-	-	-	-	-		
18-22	D	3					3	70	145	215	290	-	-		
18-29	A	5					5	90	180	270	-	-	-		
18-32	A	8					8	70	145	215	290	-	-		
20	20-2	D	1					1	-	-	-	-	-	-	
	20-3	D	3					3	70	145	215	290	-	-	
	20-4	D	4					4	45	110	250	-	-	-	
	20-6	D	3					3	70	145	215	290	-	-	
	20-7	D/A	8					8	80	110	250	280	-	-	
	20-8	Inst.	6					6	4	80	110	250	280	-	-
	20-10	A	4					4	-	-	-	-	-	-	
	20-11	Inst.	13					13	-	-	-	-	-	-	
	20-13	A	4					4	-	-	-	-	-	-	
	20-14	A	5					5	80	110	250	280	-	-	
	20-15	A	7					7	80	-	-	280	-	-	
	20-16	A	9					9	70	145	215	290	-	-	
	20-17	A	6					6	1	90	180	270	-	-	
	20-18	A	9					9	3	6	35	110	250	325	
20-19	A	3					3	90	180	270	-	-	-		
20-21	A	9					9	1	8	35	110	250	325		
20-22	A	6					6	3	80	110	250	280	-	-	
20-23	A	2					2	35	110	250	325	-	-		
20-24	A	4					4	2	35	110	250	325	-	-	
20-27	A	14					14	35	110	250	325	-	-		
20-29	A	17					17	80	-	-	280	-	-		
20-33	A	11					11	-	-	-	-	-	-		
22	22-1	D	2					2	35	110	250	325	-	-	
	22-2	D	3					3	70	145	215	290	-	-	
	22-4	A	4					4	2	35	110	250	325		
	22-5	D	6					6	2	4	35	110	250	325	
	22-7	E	1					1	-	-	-	-	-	-	
	22-8	E	2					2	35	110	250	325	-	-	
	22-9	E	3					3	70	145	215	290	-	-	
	22-10	E	4					4	35	110	250	325	-	-	
	22-11	B	2					2	35	110	250	325	-	-	
	22-13	D/A	5					5	1	35	110	250	325		
	22-14	A	19					19	80	110	250	280	-	-	
	22-15	E/A	6					6	5	1	80	110	250	280	
	22-18	D/A	8					8	8	80	110	250	280	-	-
	22-19	A	14					14	80	110	250	280	-	-	
	22-20	A	9					9	35	110	250	325	-	-	

Please make a direct inquiry for the information not contained in the table. (Follow the MIL-STD-1651 standards.)





연합정밀주식회사
YEONHAB PRECISION CO., LTD.



국방품질경영시스템(국방) AS 9100(항공) ISO 14001(환경) ISO 9001(품질)

본사 (Head Office & Factory)	충남 천안시 동남구 목천읍 소사리 242-1 TEL: 041-620-3100 FAX: 041-566-5997	#242-1, Sosa-Ri, Mockcheon-Eup, Dongnam-Gu, Cheonan City, Chungcheongnam-Do, Korea (ZIP CODE: 330-844) TEL: +82-(0)41-620-3100 FAX: +82-(0)41-566-5997
국내 사업부 (Sales Department)	TEL: 041-620-1310~9 FAX: 041-620-1320	TEL: +82-(0)41-620-1310~9 FAX: +82-(0)41-620-1320
해외 사업부 (Int'l Business Dept)	TEL: 041-620-3230~5 FAX: 041-620-1320	TEL: +82-(0)41-620-3230~5 FAX: +82-(0)41-620-1320
제2공장 (2nd Factory)	충남 연기군 전동면 청송리 167-4 TEL: 041-863-8401 FAX: 041-863-8104	#167-4, Cheongsong-Ri, Jeondong-Myun, Yeonki-Kun, Chungcheongnam-Do, Korea (ZIP CODE: 339-842) TEL: +82-(0)41-863-8401 FAX: +82-(0)41-863-8104
서울 사무소 (Seoul Office)	서울시 구로구 구로동 212-30 에이스트원타워 2차 809호 TEL: 02-2109-8991 FAX: 02-2109-8996	809 AceTwin Tower2, #212-30 Guro-Dong Guro-Gu, Seoul City, Korea (ZIP CODE: 152-050) TEL: +82-(0)2-2109-8991 FAX: +82-(0)2-2109-8996