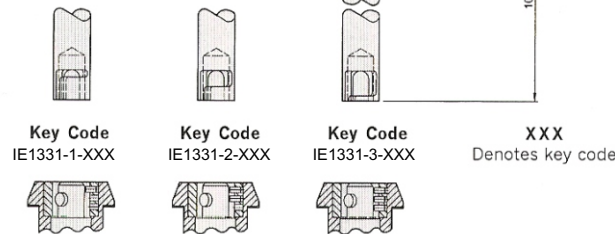
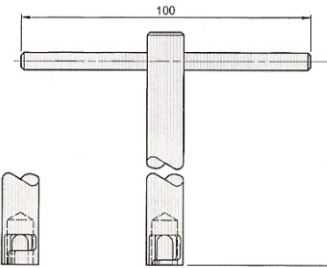




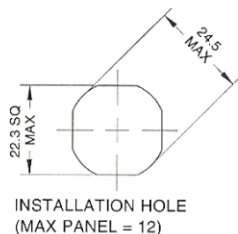
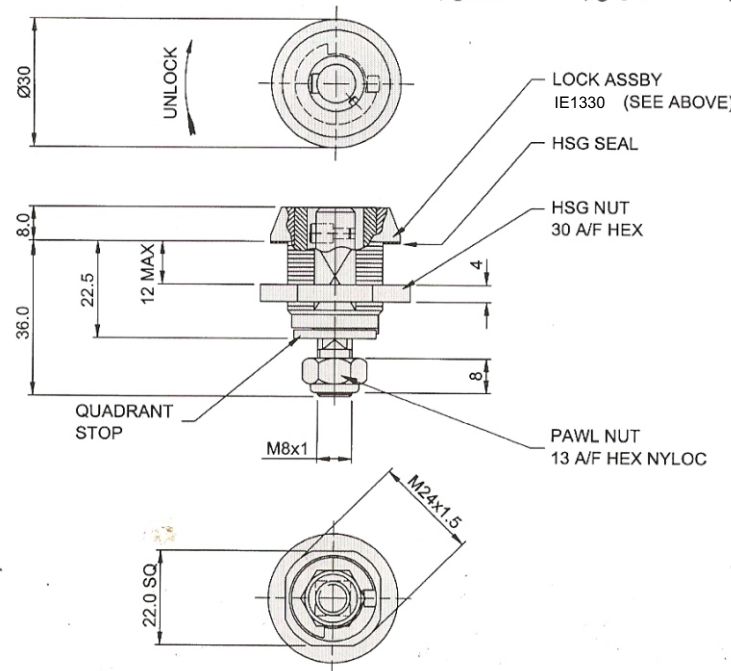
manufacturing excellence

# 3 Security Level Latch



Part No	Description
IE1330-1-XXX	Restricted access latch, security level 1
IE1330-1-XXX	Restricted access latch, security level 2
IE1330-1-XXX	Restricted access latch, security level 3

Note 1: XXX Denotes key codes  
 Note 2: Key retention feature acts as door opening handle

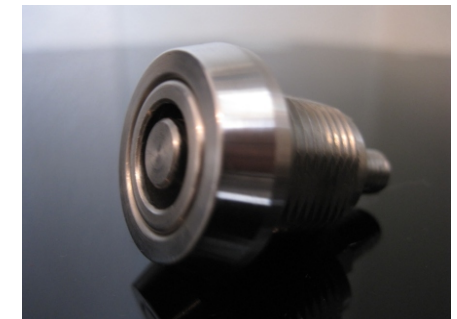


## FEATURES

- All Stainless Steel construction
- Chamfered face provides resistance to vandal attack
- Rated to IP65
- 3 level key code allows secutive access on multi lock enclosures i.e. Level 3 key opens level 3,2 and 1 locks - level 2 opens level 2 and 1 locks - level 1 key opens level 1 only.

The 1330 security latch series offer basic product platform for restricted access applications

Manufactured in Stainless Steel this detent lock is targeted to provide a vandal resistance lock to IP65 level.hh



Notes :

Do Not Scale.

Unless Otherwise noted

all dimensions are for reference purposes only