



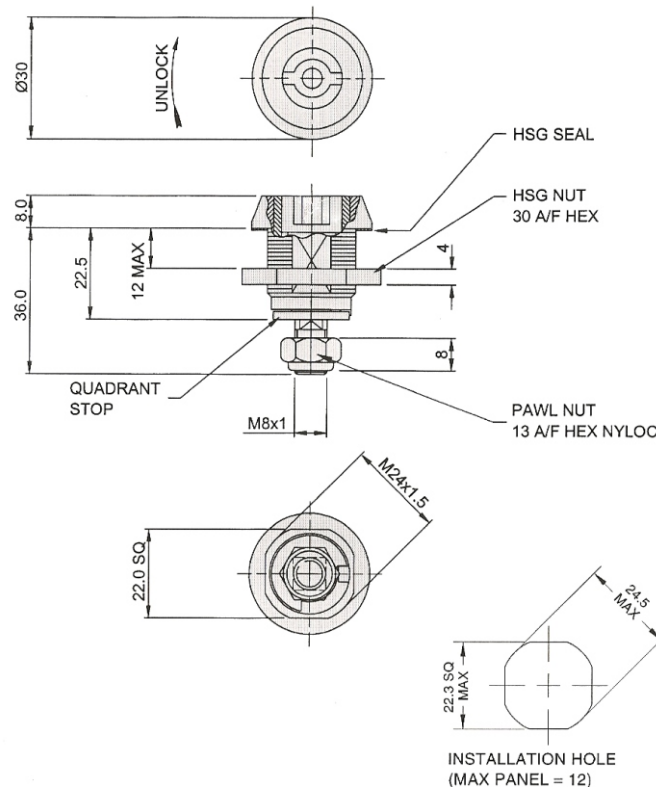
manufacturing excellence

Security Latch IE1268 Series

Products Shows
IE1268-0205

Alternative Insert / Key Configurations
See table (below)

IE1268-0312		Triangle 12
IE1268-0308		Triangle 8
IE1268-0307		Triangle 7
IE1268-0203		2 Bit 3mm pin
IE1268-0205		2 Bit 5mm pin
IE1268-0101		1 Bar bayonet
IE1268-0102		2 Bar bayonet
IE1268-0611		11mm Hex recess
IE1268-0411		11mm Square recess
IE1268-0608		8.5mm hex



IE1268 SERIES LATCH

- All Stainless Steel construction
- Various inserts available to match key configuration
- Chamfered face provides resistance to vandak attack
- Rated to IP65

The 1268 security latch series offer basic product platform which allows a wide variety of insert head styles found in common use in security enclosures

Manufactured in Stainless Steel this detent lock is targeted to provide a vandal resistance lock to IP65. These locks can be offered not only in a variety of insert head styles (which include special customised requirements and for multi level key access)



Notes :

Do Not Scale.

Unless Otherwise noted

all dimensions are for reference purposes only