

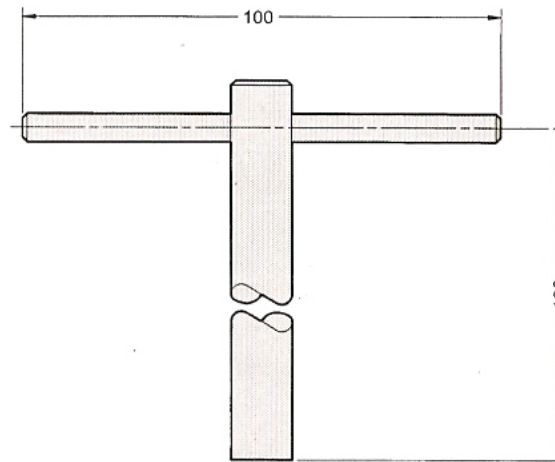


manufacturing excellence

Key Type Selection

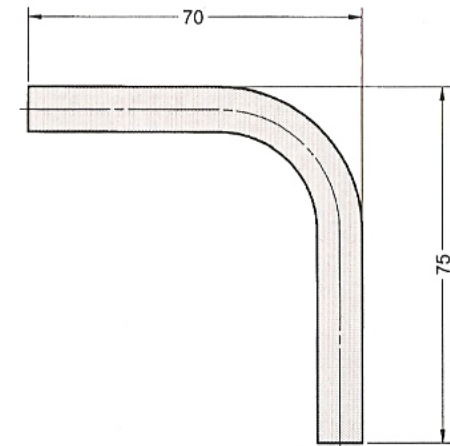
Part Numbers Head Style	Key Form C	KEY Form D
Triangle 12	IE1317-0312	
Triangle 8	IE1317-0308	
Triangle 7	IE1317-0307	
2 Bit 3mm pin	IE1317-0203	
2 Bit 5mm pin	IE1317-0205	
1 Bar bayonet**	IE1317-0101	IE1318-0101
2 Bar bayonet	IE1317-0102	IE1318-0102
11mm Hex recess	IE1317-0611	IE1318-0611
11mm Square recess	IE1317-0411	IE1318-0411
8.5mm hex	IE1317-06085	IE1318-06085
Key Hole Type*	IE1317-1063	IE1318-1063

Notes: * Key retention feature acts as door opening handle
 ** With variable angle location for offset key entry pin
 Security levels available contact Infinite for details



Key Form C

- Available in Stainless Steel
- Machined steel, Zinc Plated
- Machined steel Nitrotec Plated



Key Form D

- Available in Stainless Steel
- Machined steel, Zinc Plated
- Machined steel Nitrotec Plated



Notes :

Do Not Scale.

Unless Otherwise noted

all dimensions are for reference purposes only