

Master Plus

10-800kVA

Three-phase input

Three-phase output

Uninterruptible Power Supply

Main Features

- On-line double conversion
- Static and manual bypass
- Output power factor 0.9
- Flexible solutions
- Galvanic isolation
- Parallel/redundant operation
- LCD screen
- Superior battery management
- 50 or 60Hz operation
- Wide input voltage range
- Programmable output
- Various battery options
- RS-232/USB and contact interface
- SNMP communication options
- Free software



Tel: +44 (0)1920 871077

Fax: +44 (0)1920 871337

Email: sales@cetronicpower.com

Your satisfaction is our motivation

www.cetronicpower.com

SPECIFICATIONS

| MODEL | MP 10 | MP 15 | MP 20 | MP 30 | MP 40 | MP 60 | MP 80 |
|---|---|--------------|--------------|--------------|--------------|------------------|--------------|
| Rated power (kVA) | 10 | 15 | 20 | 30 | 40 | 60 | 80 |
| Power (W) | 9 | 13.5 | 18 | 27 | 36 | 54 | 72 |
| INPUT | | | | | | | |
| Nominal voltage | 380 – 400 – 415 Vac Three-phase | | | | | | |
| Voltage tolerance | 400 V +20% / -25% | | | | | | |
| Frequency | 45 – 65 Hz | | | | | | |
| BATTERIES | | | | | | | |
| Type | Open lead acid and VRLA AGM / GEL; NiCd | | | | | | |
| OUTPUT | | | | | | | |
| Nominal volatage | 380 – 400 – 415 vAC Three-phase | | | | | | |
| Static stability | ±1% | | | | | | |
| Dynamic stability | ±5% in 10ms | | | | | | |
| Voltage distortion | <1% with linear load / <3% with non-linear load | | | | | | |
| Crest factor | 3:1 | | | | | | |
| Frequency | 50 or 60 Hz (selectable) | | | | | | |
| Overload | 110% for 1 minute; 125% for 10 seconds; 150% for 1 second | | | | | | |
| ADDITIONAL INFO | | | | | | | |
| Weight | 212 | 220 | 230 | 280 | 330 | 450 | 600 |
| Dimensions (HxWxD) (mm) | 1400 x 555 x 740 | | | | | 1400 x 800 x 740 | |
| Remote signals | voltage-free contacts | | | | | | |
| Communication | Double RS232 + remote contacts + 2 slots for communications interface | | | | | | |
| Ambient temperature | 0°C / +40°C | | | | | | |
| Relative humidity | <95% non-condensing | | | | | | |
| Colour | Dark grey RAL 7016 | | | | | | |
| Noise level at 1m (dBA) | 54 | | 60 | | 62 | | |
| Protection level | IP20 | | | | | | |
| Smart Active Output | Up to 98% | | | | | | |
| Regulations | Regulatory Directives LV 2006/95/EC – 2004/108/EC; IEC Safety EN 62040-1; EMC IEC EN 62040-2; IEC Performance EN 62040-3 | | | | | | |
| Classification according to IEC 62040-3 | (Voltage Frequency Independent) VFI – SS -111 | | | | | | |

| MODEL | MP 100 | MP 120 | MP 160 | MP 200 | MP 600 | MP 800 |
|---|---|---------------|---------------|---------------|--------------------|--------------------|
| Rated power (kVA) | 100 | 120 | 160 | 200 | 600 | 800 |
| Power (W) | 90 | 108 | 144 | 180 | 480 | 640 |
| INPUT | | | | | | |
| Nominal voltage | 380 – 400 – 415 Vac Three-phase | | | | | |
| Voltage tolerance | 400 V +20% / -25% | | | | | |
| Frequency | 45 – 65 Hz | | | | | |
| BATTERIES | | | | | | |
| Type | Open lead acid and VRLA AGM / GEL;NiCd | | | | | |
| OUTPUT | | | | | | |
| Nominal voltage | 380 – 400 – 415 vAC Three-phase + N | | | | | |
| Static stability | ±1% | | | | | |
| Dynamic stability | ±5% in 10ms | | | | | |
| Voltage distortion | <1% with linear load / <3% with non-linear load | | | | | |
| Crest factor | 3:1 | | | | | |
| Frequency | 50 or 60 Hz (selectable) | | | | | |
| Overload | 110% for 1 minute; 125% for 10 seconds; 150% for 1 second | | | | | |
| ADDITIONAL INFO | | | | | | |
| Weight | 640 | 650 | 770 | 810 | 4000 | 5300 |
| Dimensions (HxWxD) | 1900 x 800 x 800mm | | | | 1900x3200 x1000 | 1900x4400 x1000 |
| Remote signals | volt-free contacts | | | | | |
| Communication | Double RS232 + remote contacts + 2 slots for communications interface | | | | | |
| Ambient temperature | 0°C / +40°C | | | | | |
| Relative humidity | <95% non-condensing | | | | | |
| Colour | Dark grey RAL 7016 | | | | | |
| Noise level at 1m (dBA) | 63 - 68 | | | | <75 | <78 |
| Protection level | IP20 | | | | | |
| Smart Active Output | Up to 98% | | | | | |
| Regulations | Regulatory Directives LV 2006/95/EC – 2004/108/EC; IEC Safety EN 62040-1; EMC IEC EN 62040-2; IEC Performance EN 62040-3 | | | | | |
| Classification according to IEC 62040-3 | (Voltage Frequency Independent) VFI – SS -111 | | | | | |

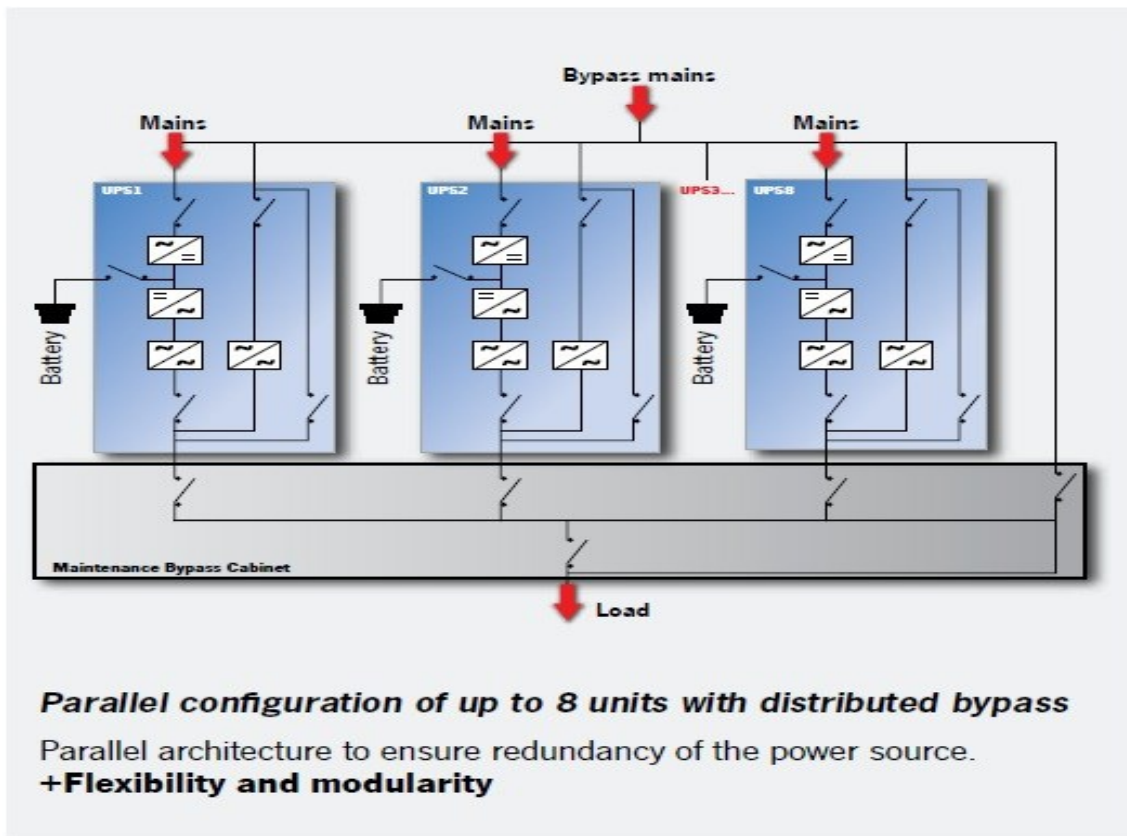
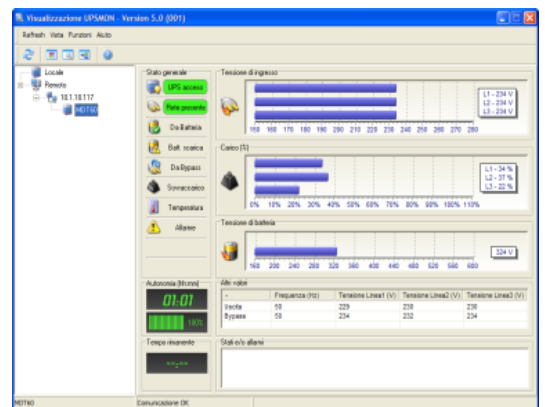
Specifications are subject to change without prior notice.

Optional Extras

- SNMP Network Interface Card
- Relay Card (Volt-free contacts)
- Parallel Redundant Operation
- Separate Bypass Input Supply
- Galvanic Isolation Transformers
- External Manual Bypass Switch
- Extended Battery Back-Up Times
- Service and Maintenance Plans



Left: Remote Alarm Panel
Right: Screenshot of software.
Below: Parallel UPS diagram



Issue 08/13



Tel: +44 (0)1920 871077
Fax: +44 (0)1920 871337
Email: sales@cetricpower.com



Your satisfaction is our motivation
www.cetricpower.com