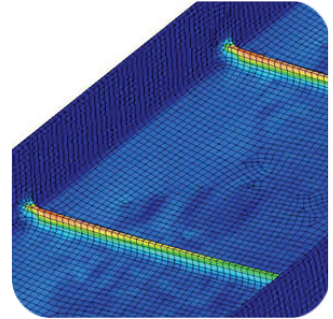


JNDC is a London based engineering design consultancy able to provide outstanding engineering solutions to maximize profits, reduce risks and increase efficiency.

Approach

At JNDC we believe that the best way to pursue excellence is by working alongside the client from the concept generation stage. Our designers and engineers ensure all the project needs are incorporated as early as possible providing the most cost effective ways forward.

JNDC has close relationships with their suppliers and manufactures and involves them in the design process whenever required. This approach allows JNDC to quickly identify and reduce project risks. With our testing and manufacturing facilities, our dynamic team of motivated engineers and product designers can quickly produce engineering solutions to meet the client's needs.



Core Areas of Work

Our core focus lies within creative problem solving and delivering solutions to complex engineering challenges.

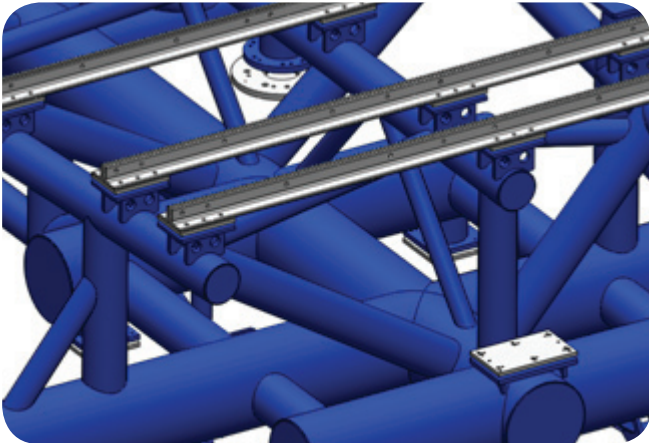
JNDC's specialist areas include concept generation, product development and enhancement, intellectual property creation, detailed engineering design, analysis and testing along with composite design.

Clients typically have a concept idea for a new product or have a problem with an existing product that requires an engineering solutions. Our team of engineers and product designers have outstanding technical expertise and experience. Together with the client they will review and develop specifications to find the optimum solution.

Copyright © JNDC 2013.

Mechanical Engineering Design

A Computer Aided Design and drawing service is provided using the latest 3D technology resulting in the highest quality, cost effective design service.

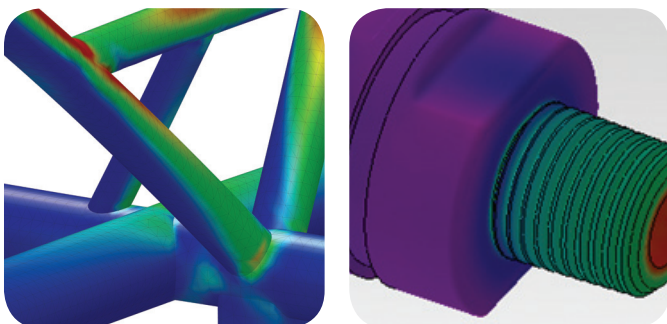


Finite Element Analysis

JNDC's engineers can undertake virtual testing providing a vast range of information detailing how parts will behave in their proposed application.

Benefits:

- Recognising and resolving any design errors.
- Reducing material costs and increasing product performance.
- Increasing product performance prior to committing to manufacture.
- Achieving accurate safety factors.
- Reducing design iterations and therefore decreasing time to manufacture.



Prototyping & Testing

JNDC have an extensive range of prototyping skills and specialise in the latest rapid prototyping technologies, materials and finishes. They are able to deliver high quality models for:

- Proof of concept
- Aesthetic presentation
- Functionality
- Pre-production assessment

JNDC have developed an in-depth knowledge of state-of-the-art production techniques giving an advantage of being able to meet customer's most challenging needs as well as maintaining a competitive edge.

JNDC has the ability to execute tests on virtually any product from large scale wind tunnel tests through to tensile, fatigue and impact testing.



Previous Work

JNDC's work started within the aerospace industry working on research and development projects for Airbus on the A350, A340 and the A380. Since work has expanded and spans across numerous industries.

Our ultimate goal is to increase product life, improve designs, reduce costs and ultimately to increase clients sales.