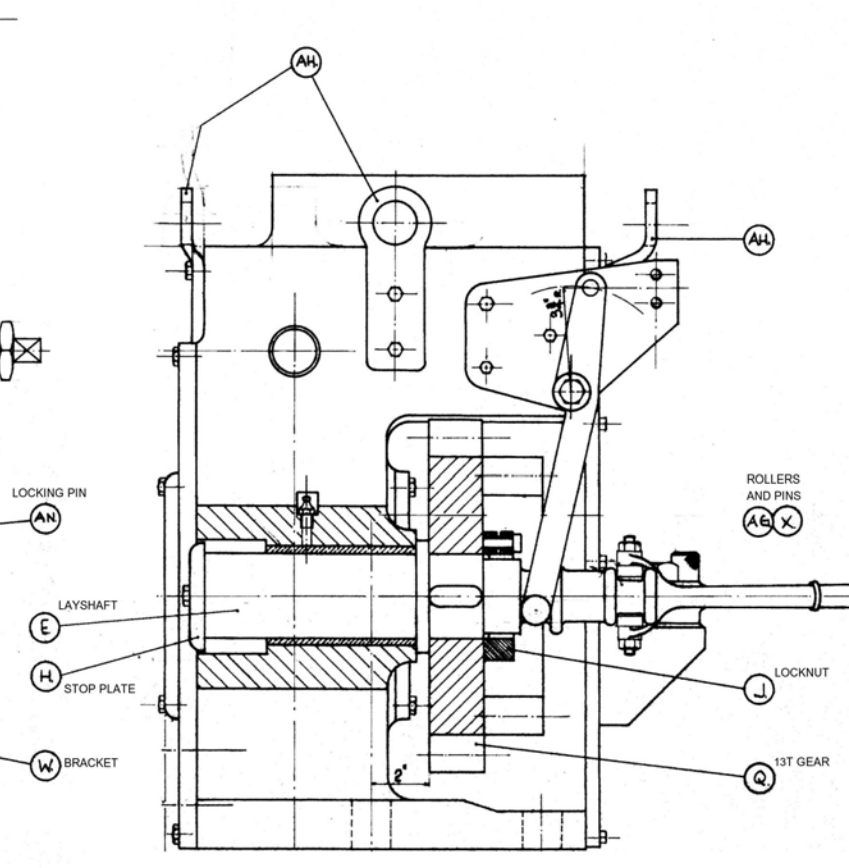
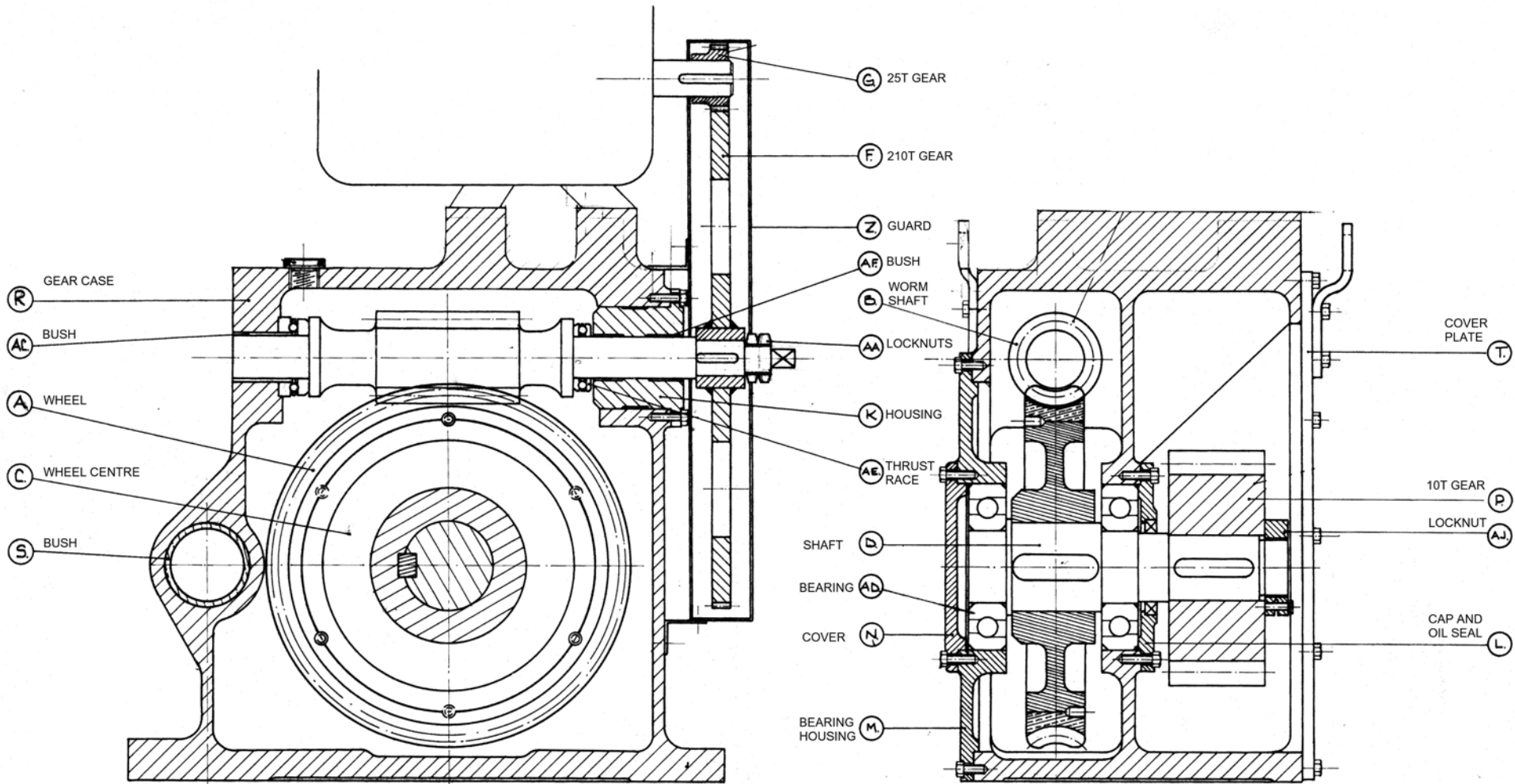


GEAR ENGAGEMENT



DRIVE GEAR ASSEMBLY



WORM AND WHEEL ASSEMBLY

GEAR SHAFT ASSEMBLY

MARINE BARRING GEARBOX