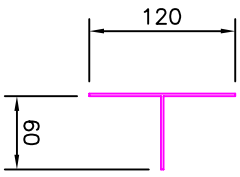
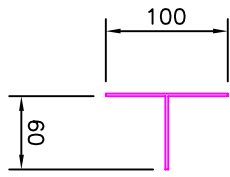


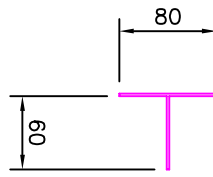
NVELOPE STANDARD "T" & "L" PROFILES + BRACKETS



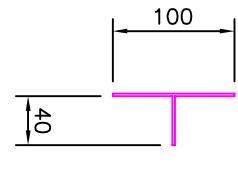
120mm x 60mm x 2.2mm T
IN 3000mm - 4850mm - 6000mm



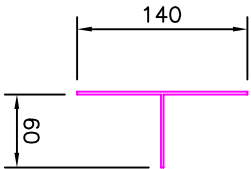
100mm x 60mm x 2.2mm T
IN 3000mm - 4850mm - 6000mm



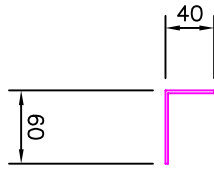
80mm x 60mm x 2.2mm T
IN 3000mm - 6000mm



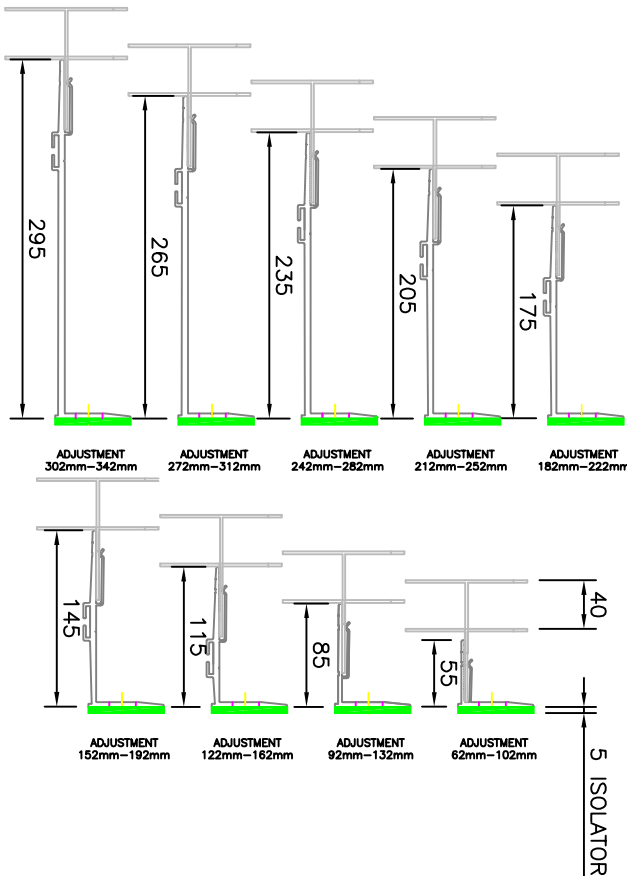
100 x 40 x 2.2 L
IN 3000mm - 6000mm



140mm x 60mm x 2.2mm T
IN 3000mm - 4850mm - 6000mm



60mm x 40mm x 2.2mm L
IN 3000mm - 4850mm - 6000mm



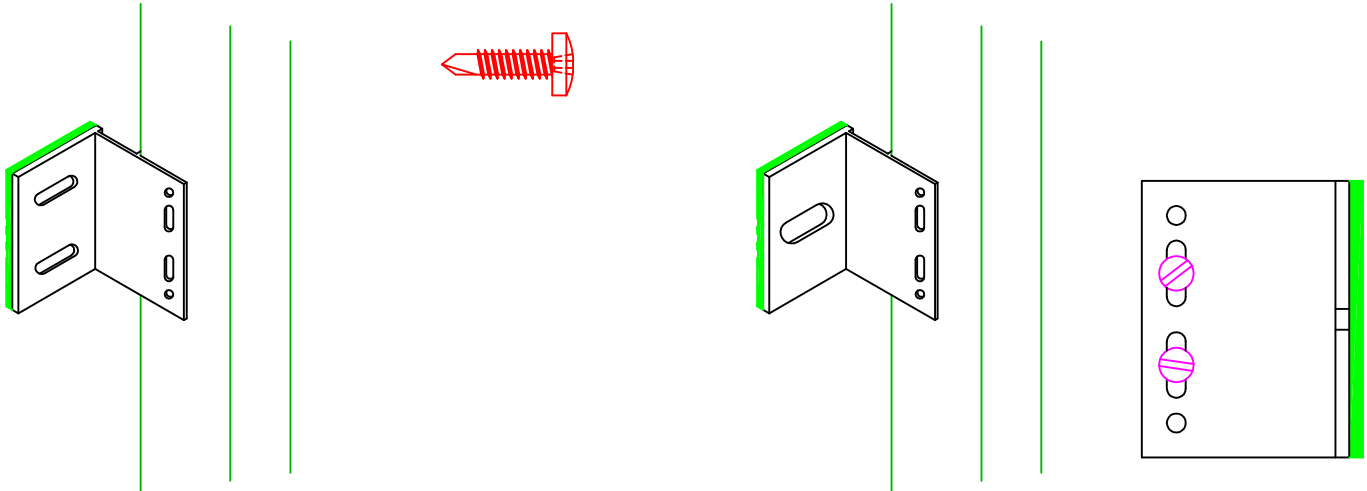
BRACKETS	Adjustment range for each bracket (mm)	
Nvelope 60	from 62	to 102
Nvelope 90	from 92	to 132
Nvelope 120	from 122	to 162
Nvelope 150	from 152	to 192
Nvelope 180	from 182	to 222
Nvelope 210	from 212	to 252
Nvelope 240	from 242	to 282
Nvelope 270	from 272	to 312
Nvelope 300	from 302	to 342

THERMAL ISOLATORS (TO REDUCE COLD BRIDGING)
ARE FITTED TO ALL OF OUR BRACKETS

MOST NVELOPE COMPONENTS ARE EXSTOCK
FOR ORDERS PHONE SALES ON 01707 333 396 OR E-MAIL orders@nvelope.com



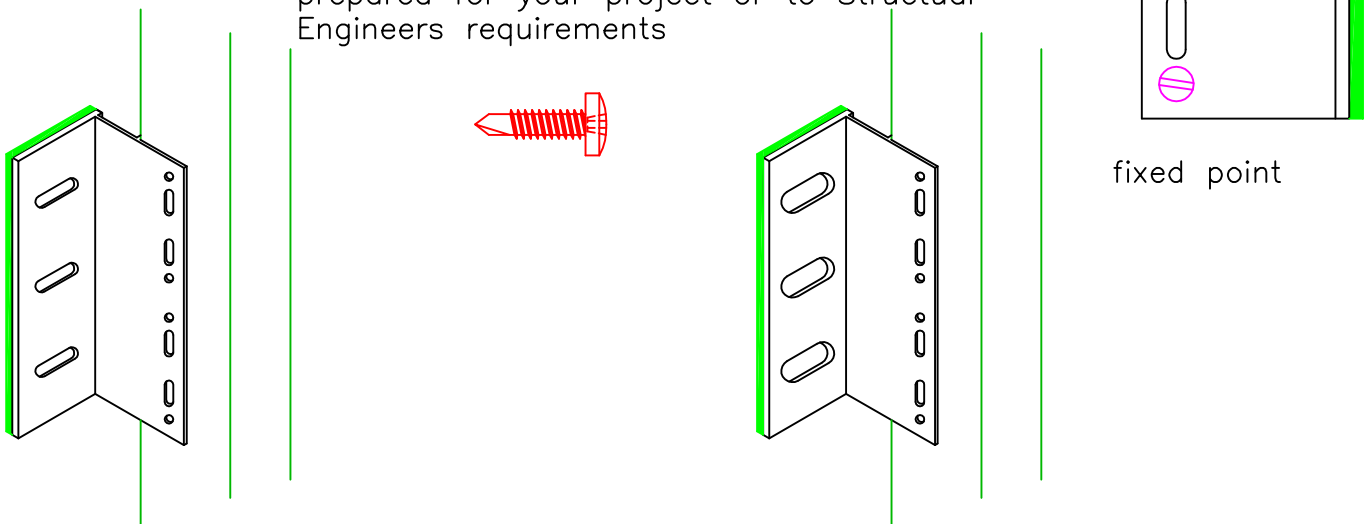
NVELOPE SR2 (4.2 x 16) Stainless
Steel screws **must** be fitted
in either 2 holes fixed point
or 2 slots floating point into either "L" or "T" rail



NVELOPE SR2 (4.2 x 16) Stainless
Steel screws **must** be fitted
in either 4 holes fixed point
or 4 slots floating point into "L" or "T" rail

floating point

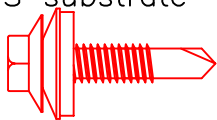
Refer to NVELOPE Static calculations
prepared for your project or to Structural
Engineers requirements



fixed point

6.5mm slots for steel / timber
/SIPS substrate

11mm slots for concrete / blockwork
substrate



Tele - +44 (0)1707 333 396
Fax - +44 (0)1707 333 343
e-mail :- info@nvelope.com