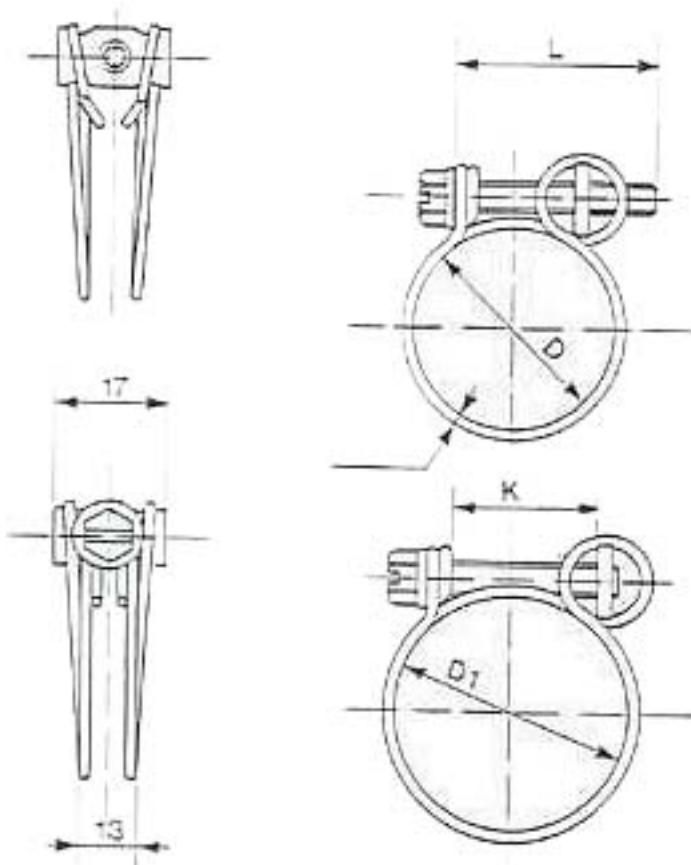


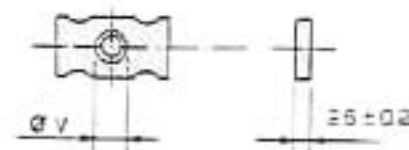
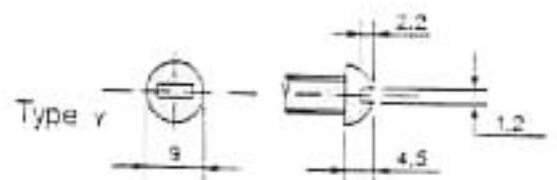
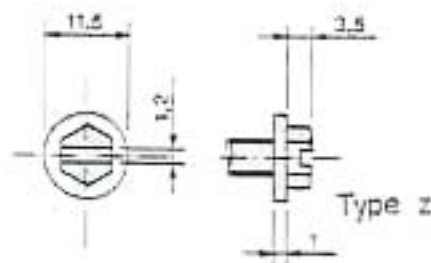
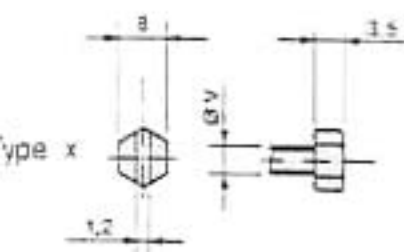
GEMELLI®

HOSE CLAMP

Double wire hose clamps for heavy pressure



$\emptyset V$	M5



GEMELLI®

Addendum - Please note the following sizes have been added:

Ref.	Dia. Closed mm	Dia. Open mm	Dia. mm	K ± 1 mm	L mm
GEM 016	13	16	2.2	14	25
GEM 018	15	18	2.2	14	25
GEM 020	17	20	2.2	15	25
GEM 021	18	21	2.2	15	25
GEM 022	19	22	2.2	16	25
GEM 080	74	80	2.4	31	40
GEM 082	76	82	2.4	31	40
GEM 084	78	84	2.4	30	40
GEM 085	79	85	2.4	30	40

Sizes GEM 016 to 050 available in stainless steel to AISI 302

Double wire hose clamps for heavy pressure

Referencia	∅D closed mm	∅D ₁ open mm	∅d mm	K _{a1} mm	L mm
GEM 023	20	23	2,2	16	30
GEM 024	21	24	2,2	16	30
GEM 025	22	25	2,2	18	30
GEM 026	23	26	2,2	18	30
GEM 027	24	27	2,2	18	30
GEM 028	24	28	2,4	20	30
GEM 029	25	29	2,4	20	30
GEM 030	26	30	2,4	20	30
GEM 031	27	31	2,4	20	30
GEM 032	28	32	2,4	20	30
GEM 033	29	33	2,4	20	30
GEM 034	30	34	2,4	20	30
GEM 035	31	35	2,4	20	30
GEM 036	32	36	2,4	20	30
GEM 037	33	37	2,4	20	30
GEM 038	34	38	2,4	20	30
GEM 039	34	39	2,4	25	40
GEM 040	35	40	2,4	25	40
GEM 041	36	41	2,4	25	40
GEM 042	37	42	2,4	25	40
GEM 043	38	43	2,4	25	40
GEM 044	39	44	2,4	25	40
GEM 045	40	45	2,4	28	40
GEM 046	41	46	2,4	28	40
GEM 047	42	47	2,4	28	40
GEM 048	43	48	2,4	28	40
GEM 049	44	49	2,4	28	40
GEM 050	45	50	2,4	28	40

Referencia	∅D closed mm	∅D ₁ open mm	∅d mm	K _{a1} mm	L mm
GEM 051	46	51	2,4	28	40
GEM 052	47	52	2,4	28	40
GEM 053	47	53	2,4	31	40
GEM 054	48	54	2,4	31	40
GEM 055	49	55	2,4	31	40
GEM 056	50	56	2,4	31	40
GEM 057	51	57	2,4	31	40
GEM 058	52	58	2,4	31	40
GEM 059	53	59	2,4	31	40
GEM 060	54	60	2,4	31	40
GEM 061	55	61	2,4	31	40
GEM 062	56	62	2,4	31	40
GEM 063	57	63	2,4	31	40
GEM 064	58	64	2,4	31	40
GEM 065	59	65	2,4	31	40
GEM 066	60	66	2,4	31	40
GEM 067	61	67	2,4	31	40
GEM 068	62	68	2,4	31	40
GEM 069	63	69	2,4	31	40
GEM 070	64	70	2,4	31	40
GEM 071	65	71	2,4	31	40
GEM 072	66	72	2,4	31	40
GEM 073	67	73	2,4	31	40
GEM 074	68	74	2,4	31	40
GEM 075	69	75	2,4	31	40
GEM 076	70	76	2,4	31	40
GEM 077	71	77	2,4	31	40
GEM 078	72	78	2,4	31	40

MATERIAL:

WIRE: Galvanised mild steel SAE 1005
NUT: Galvanised mild steel SAE M 1010
SCREW: Galvanised mild steel SAE M 1010



GEMELLI HOSE CLAMP

1. Resistance to high pressure due to double joint
2. Perfect circumference in all tightening positions and constant equal pressure distributed on whole clip
3. The use of galvanised steel wire eliminates all possibility of rough and sharp edges
4. Elasticity resistant to vibrations
5. This hose clamp offers many advantages such as fast mounting, resistance to corrosion, double joint etc.
6. The guarantee of this hose clamp is demonstrated by the numerous applications made by automobile and domestic appliance manufacturers for many years

