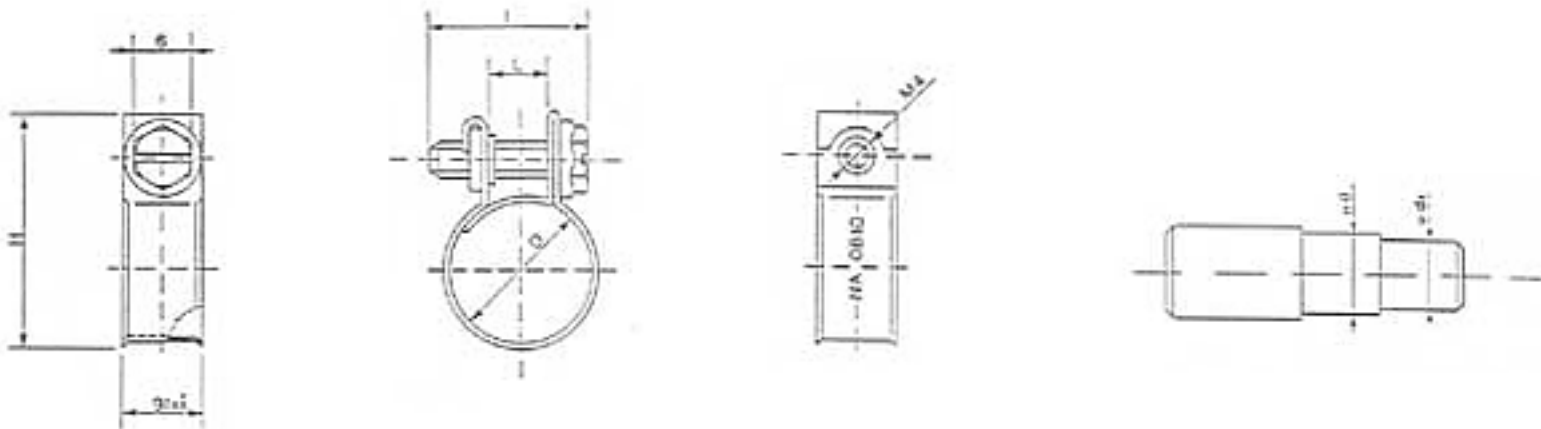


# NANO<sup>®</sup>

## HOSE CLAMP

Aluzinc band clamp for OEM applications in limited spaces



Reference	D mm Diameter Range	• Open Ø mm $T_{ol} = 0.3$ Ø	*Minimum Clamping Ø D1 mm	Tightening Torque max. (N.m)	H ± 0.5 mm	L mm	L mm
NA-0709	7 ÷ 9	9.1	6.8	1.2	18	8	22
NA-0795	7.5 ÷ 9.5	9.6	7.3		18.5	8	22
NA-0810	8 ÷ 10	10.1	7.8		19	8	22
NA-0815	8.5 ÷ 10.5	10.6	8.2		19.5	8	22
NA-0911	9 ÷ 11	11.1	8.7		20	8	22
NA-1012	10 ÷ 12	12.2	9.7		21	8	22
NA-1113	11 ÷ 13	13.2	10.7		22	8	22
NA-1214	12 ÷ 14	14.2	11.8		23	8	22
NA-1315	13 ÷ 15	15.2	12.6		24	8	22
NA-1416	14 ÷ 16	16.2	13.6		25	8	22
NA-1517	15 ÷ 17	17.2	14.8		26	8	22
NA-1618	16 ÷ 18	18.2	15.5		27	8	22
NA-1719	17 ÷ 19	19.3	16.5		28	10	22
NA-1820	18 ÷ 20	20.3	17.5		29	10	22
NA-1921	19 ÷ 21	21.3	18.5		30	10	22

- \* To be dimensioned when two shoulders of the clamp meet perfectly
- The clamp has to be assembled easily on the diameter 'd' of the gauge

MATERIAL: BAND: SAE 1005 'Aluzinc'  
 SCREW: Carbon steel SAE 1035 Zinc plated  
 NUT: Steel SAE M 1010