

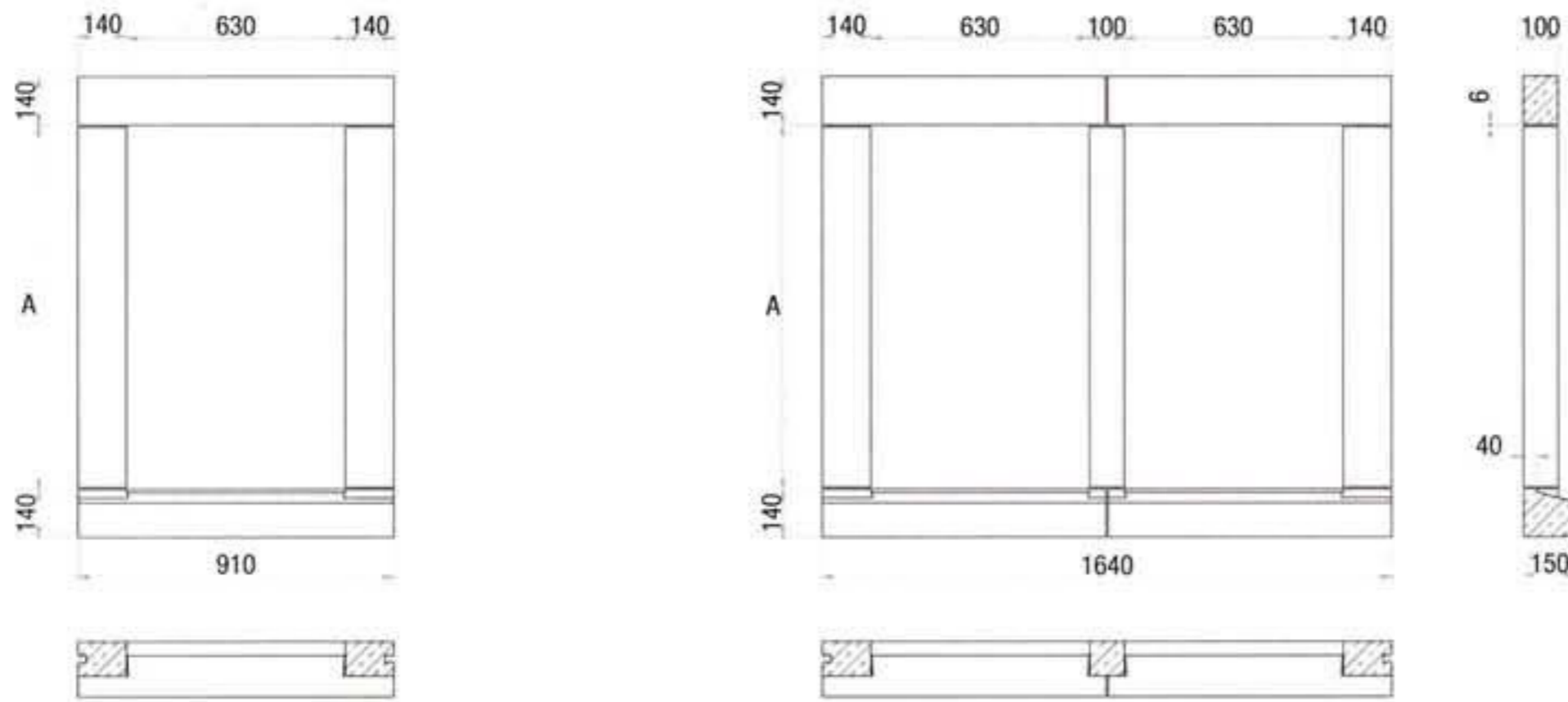
Window Surrounds



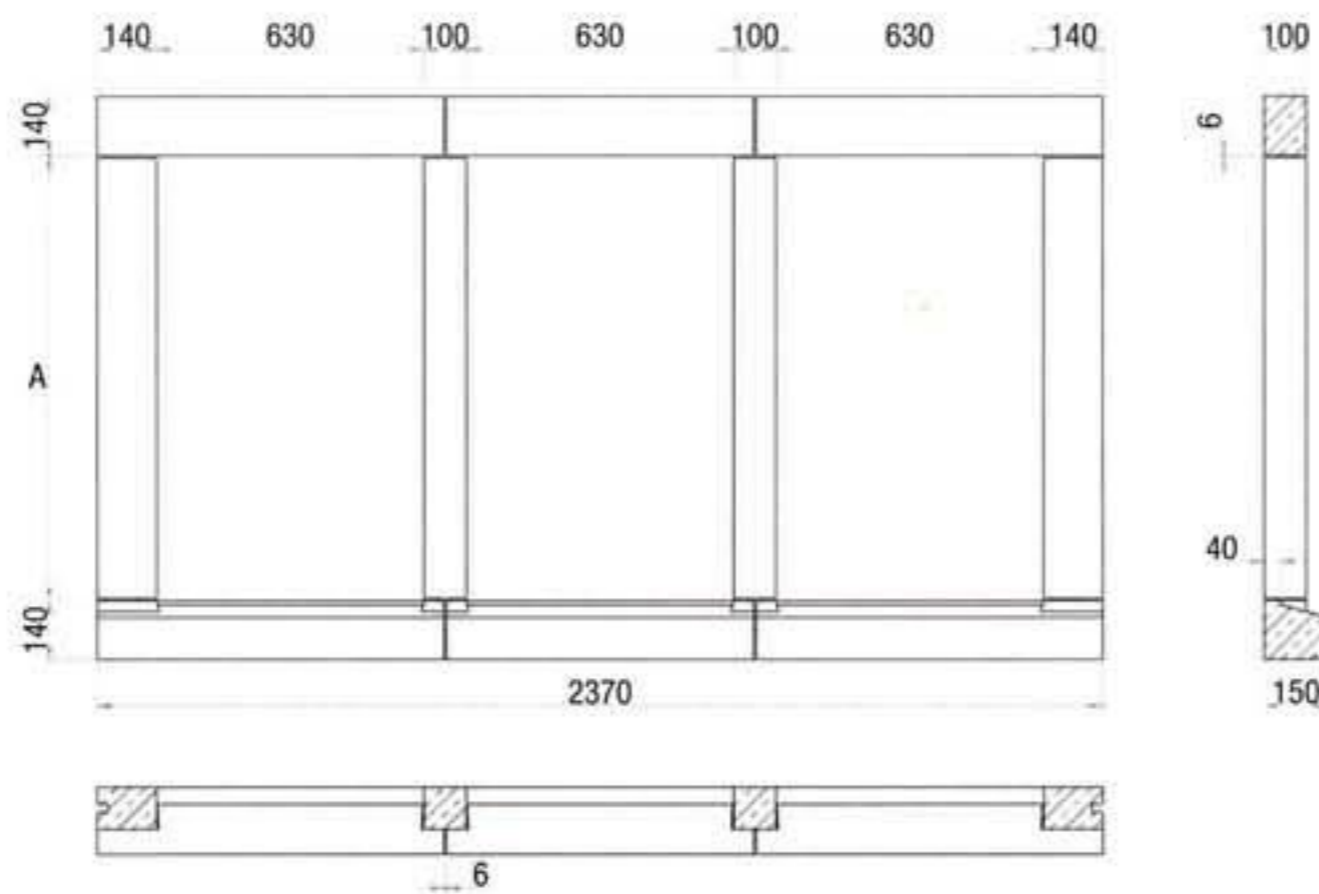
Any window surround can be manufactured to suit the height of the window. Please state height 'A' when placing the order. Jamb/mullions over 1500mm would be supplied in two pieces in line with the recommendations on slenderness ratios in BS 1217 : 1997. All window surrounds are supplied with stainless steel dovetail cramp fixings and dowels. A Technical Data Sheet showing the recommended fixing details of window surrounds is available on request. Sizes to suit standard window openings can also be supplied together with bay surrounds.

WS1

WS2



WS3

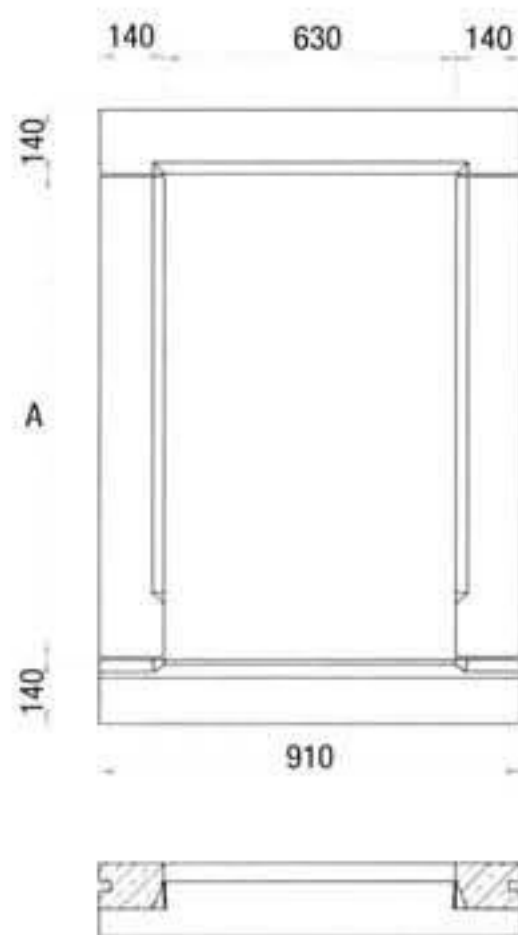




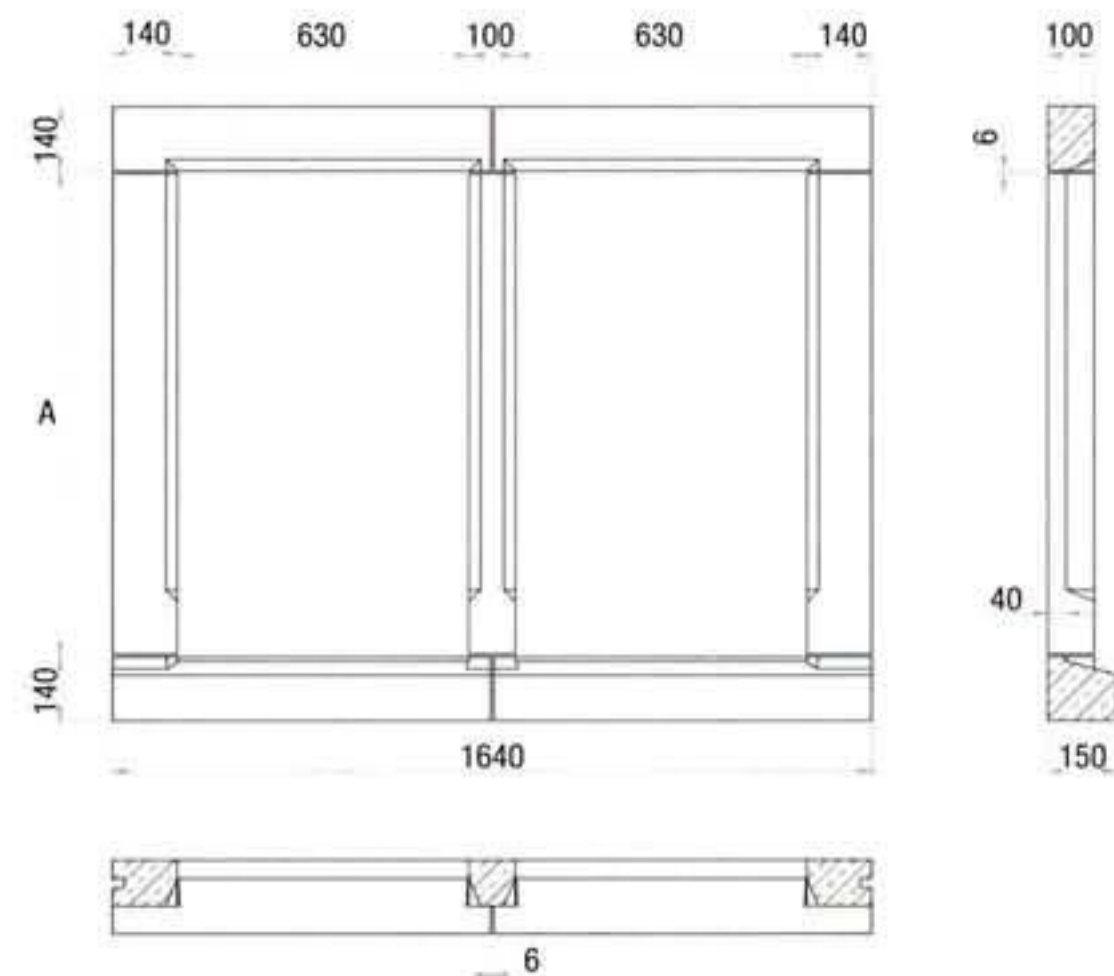
Window Surrounds

Any window surround can be manufactured to suit the height of the window. Please state height 'A' when placing the order. Jamb/mullions over 1500mm would be supplied in two pieces in line with the recommendations on slenderness ratios in BS 1217 : 1997. All window surrounds are supplied with stainless steel dovetail cramp fixings and dowels. A Technical Data Sheet showing the recommended fixing details of window surrounds is available on request. Sizes to suit standard window openings can also be supplied together with bay surrounds.

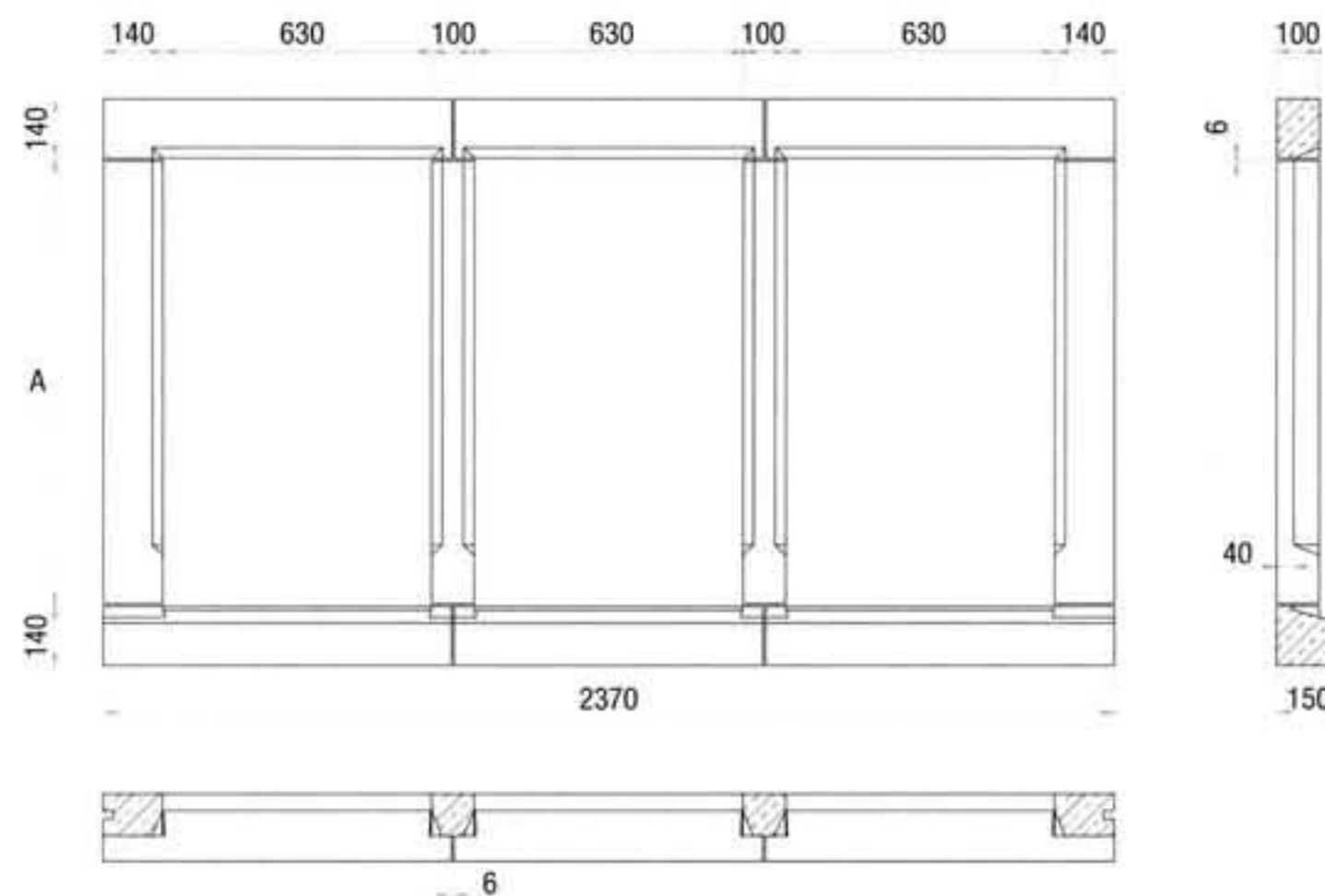
WS4



WS5



WS6

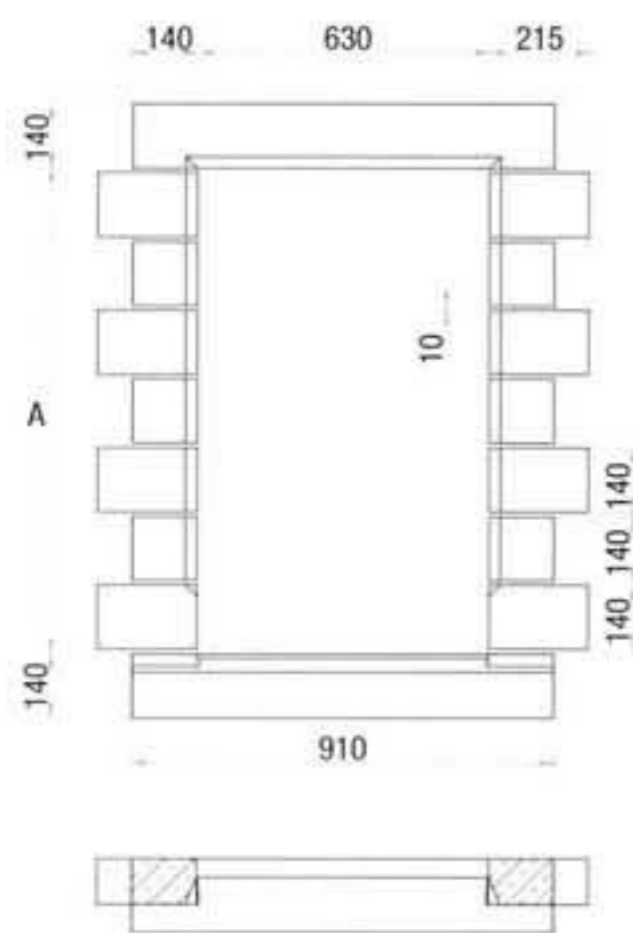


Window Surrounds

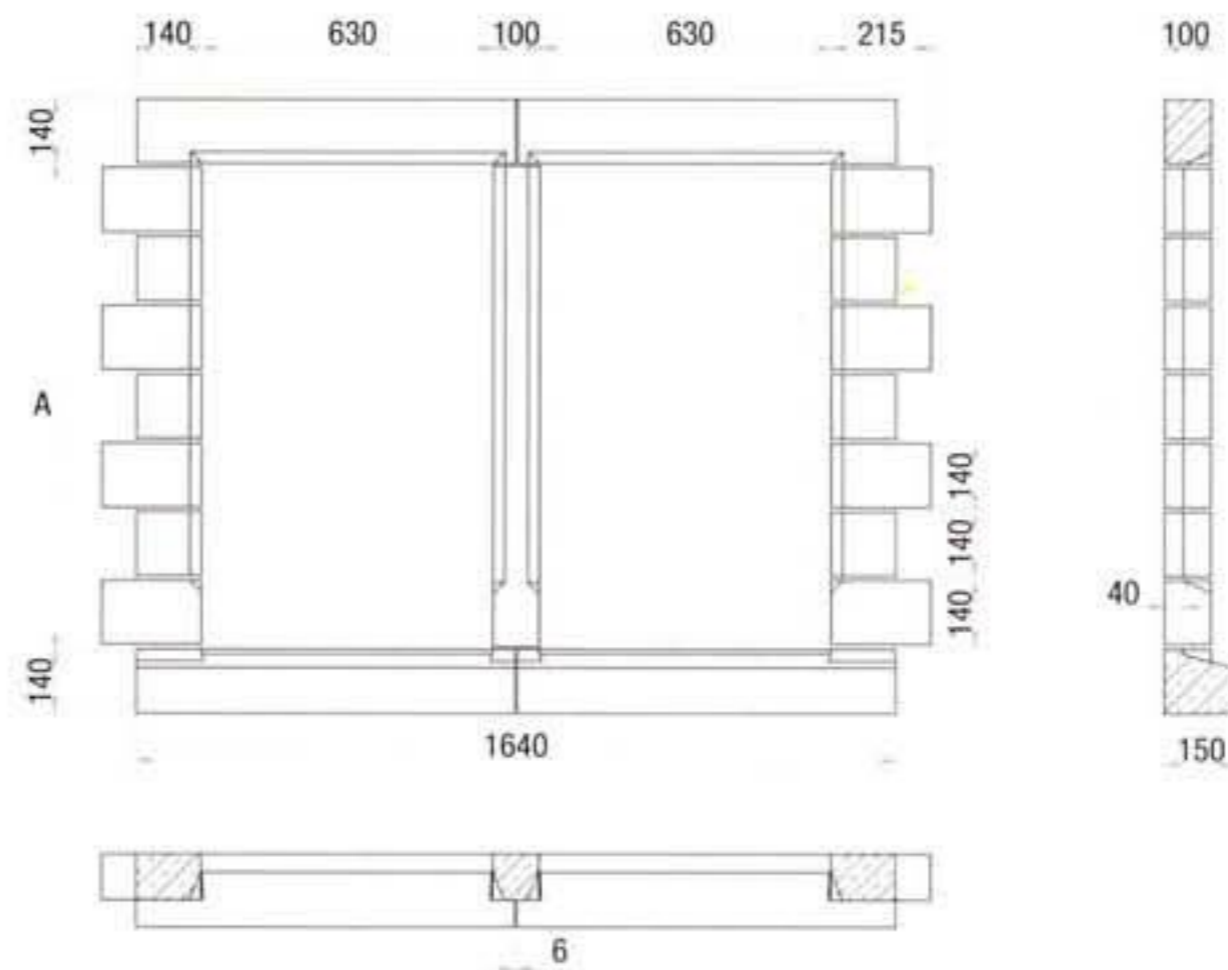


Any window surround can be manufactured to suit the height of the window. Please state height 'A' when placing the order. Jambs/mullions over 1500mm would be supplied in two pieces in line with the recommendations on slenderness ratios in BS 1217 : 1997. All window surrounds are supplied with stainless steel dovetail cramp fixings and dowels. A Technical Data Sheet showing the recommended fixing details of window surrounds is available on request. Sizes to suit standard window openings can also be supplied together with bay surrounds.

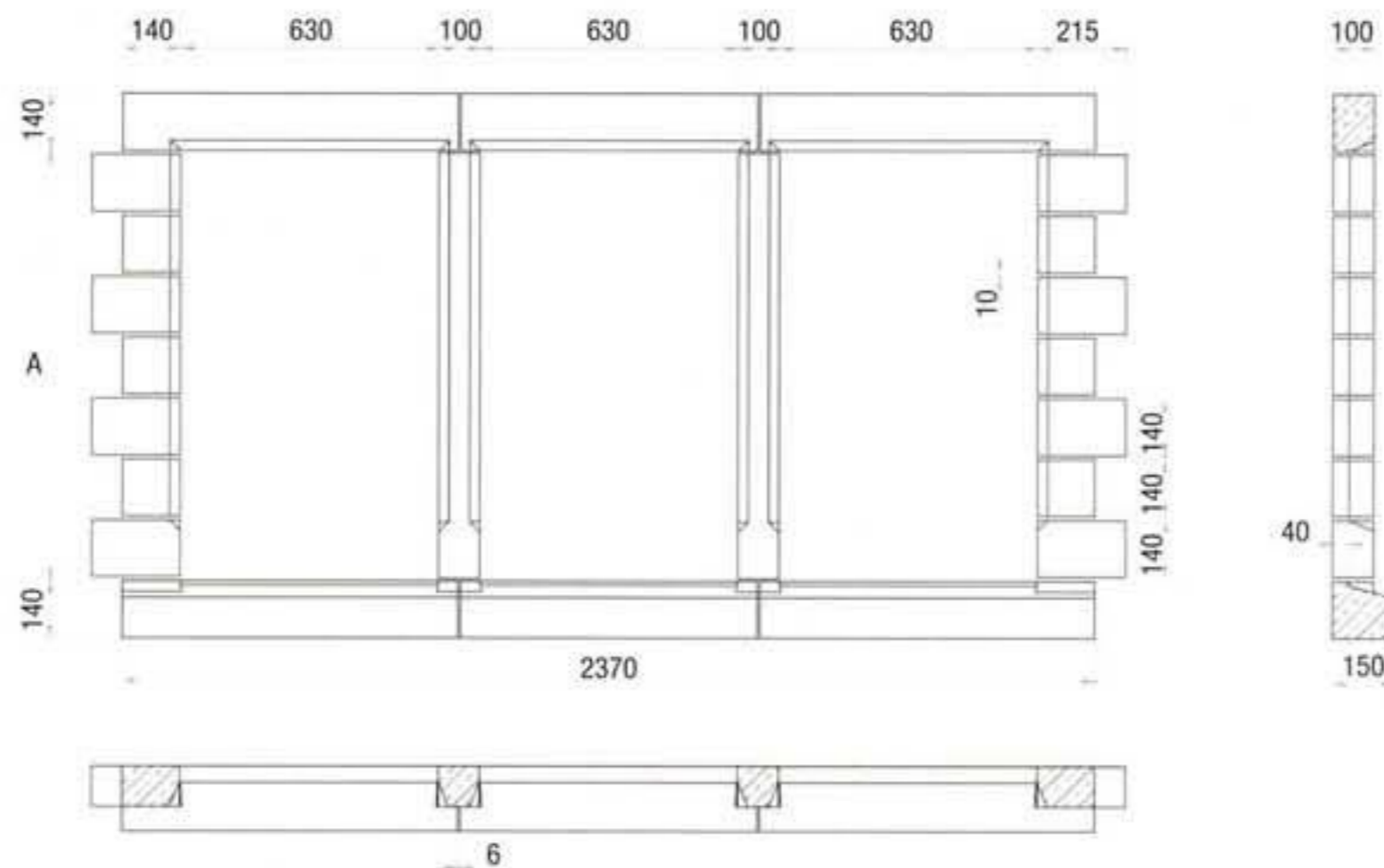
WS7



WS8



WS9

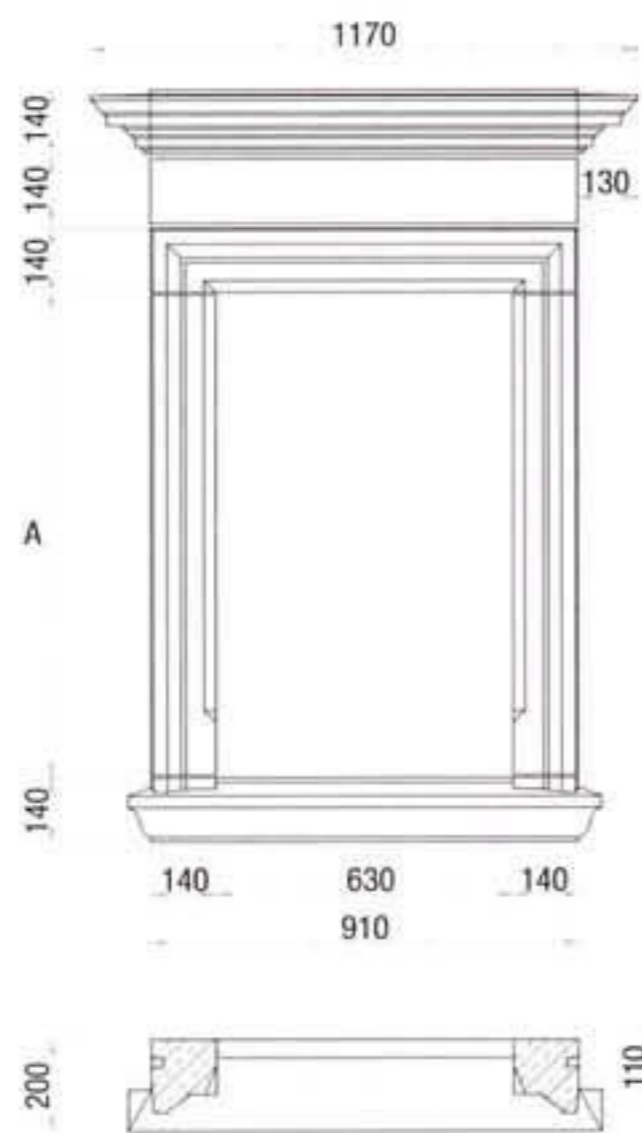


Window Surrounds

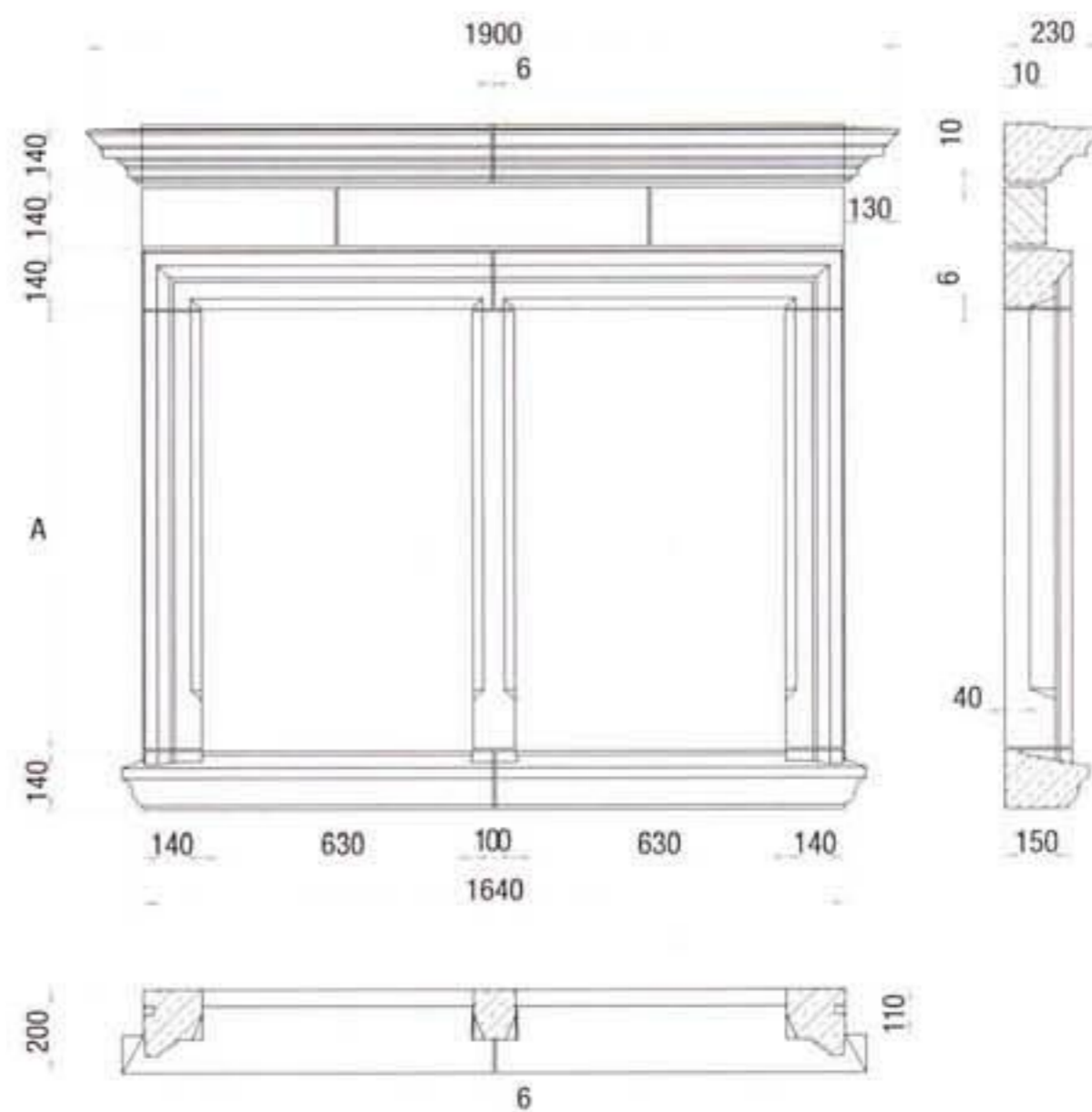


Any window surround can be manufactured to suit the height of the window. Please state height 'A' when placing the order. Jambs/mullions over 1500mm would be supplied in two pieces in line with the recommendations on slenderness ratios in BS 1217 : 1997. All window surrounds are supplied with stainless steel dovetail cramp fixings and dowels. A Technical Data Sheet showing the recommended fixing details of window surrounds is available on request. Sizes to suit standard window openings can also be supplied together with bay surrounds.

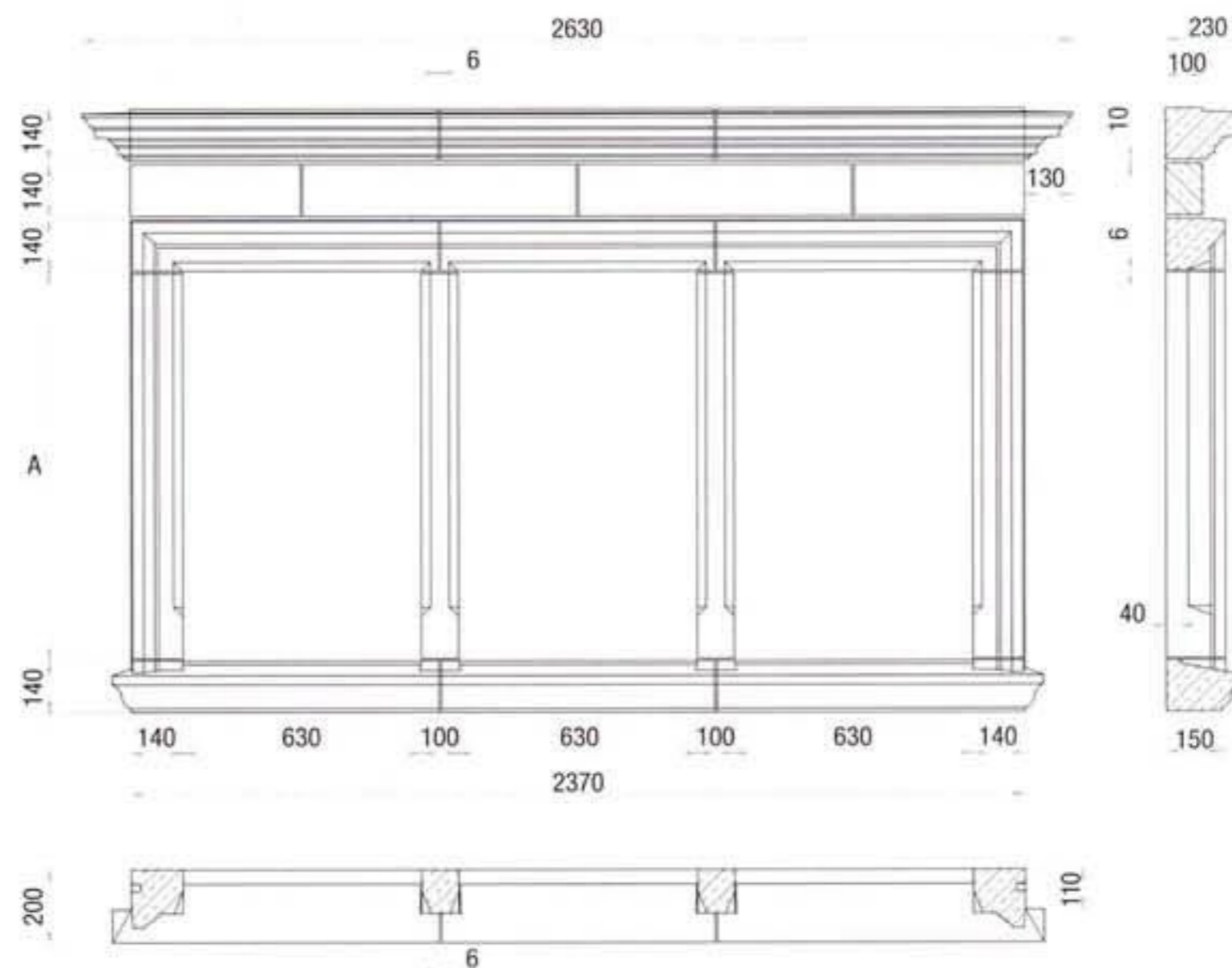
WS10



WS11



WS12

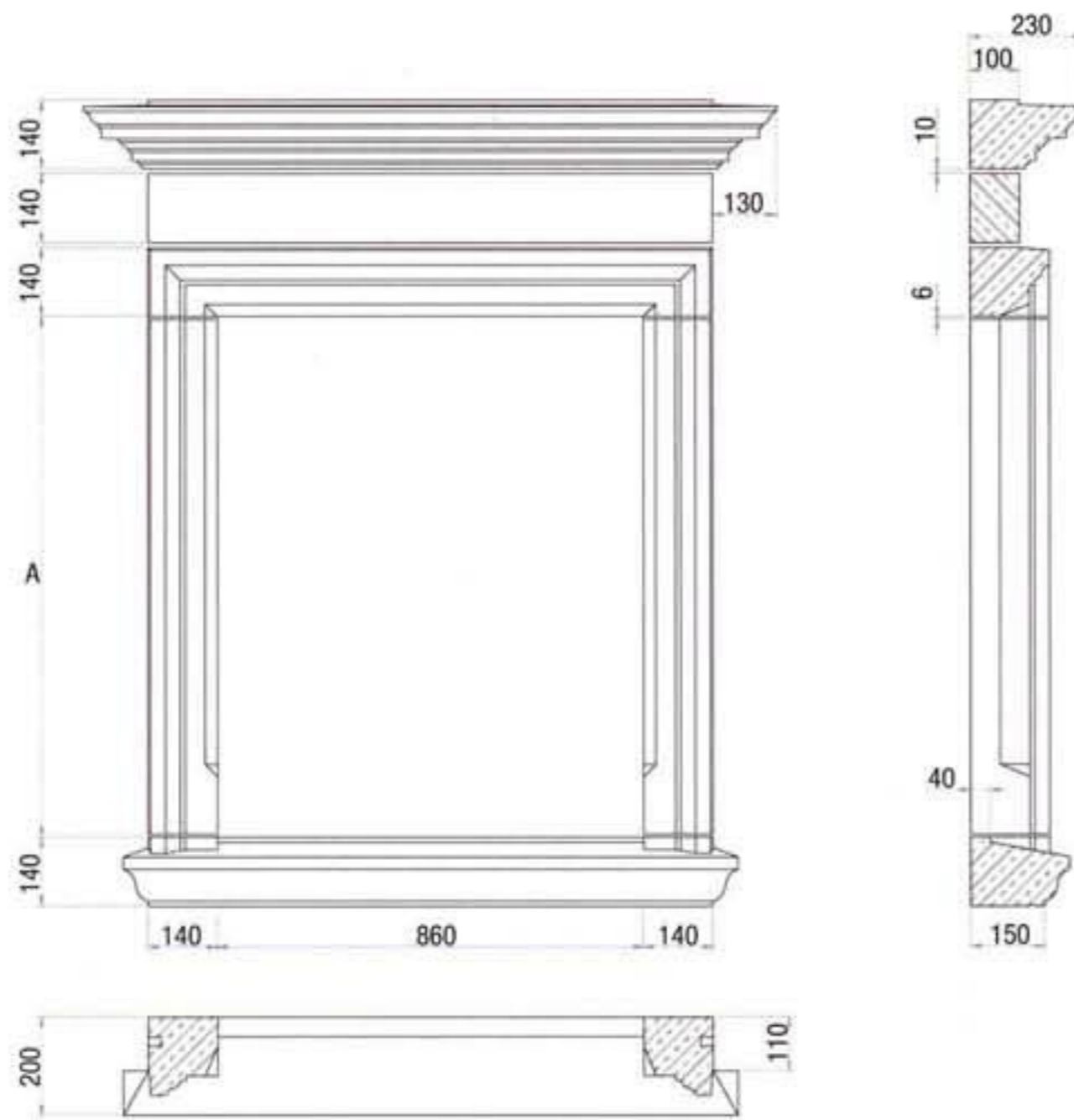


Window Surrounds

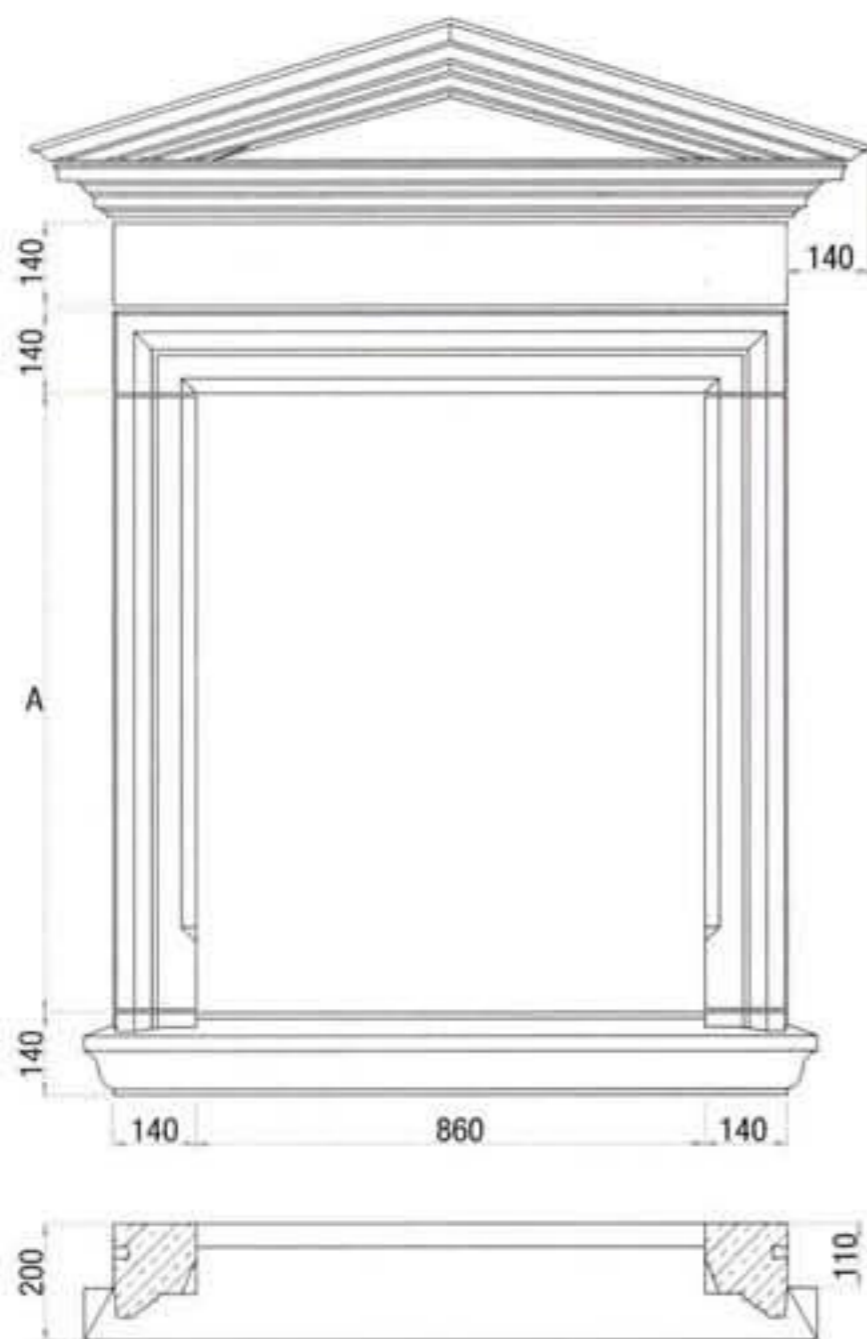
Any window surround can be manufactured to suit the height of the window. Please state height 'A' when placing the order. Jamb/mullions over 1500mm would be supplied in two pieces in line with the recommendations on slenderness ratios in BS 1217 : 1997. All window surrounds are supplied with stainless steel dovetail cramp fixings and dowels. A Technical Data Sheet showing the recommended fixing details of window surrounds is available on request. Sizes to suit standard window openings can also be supplied together with bay surrounds.



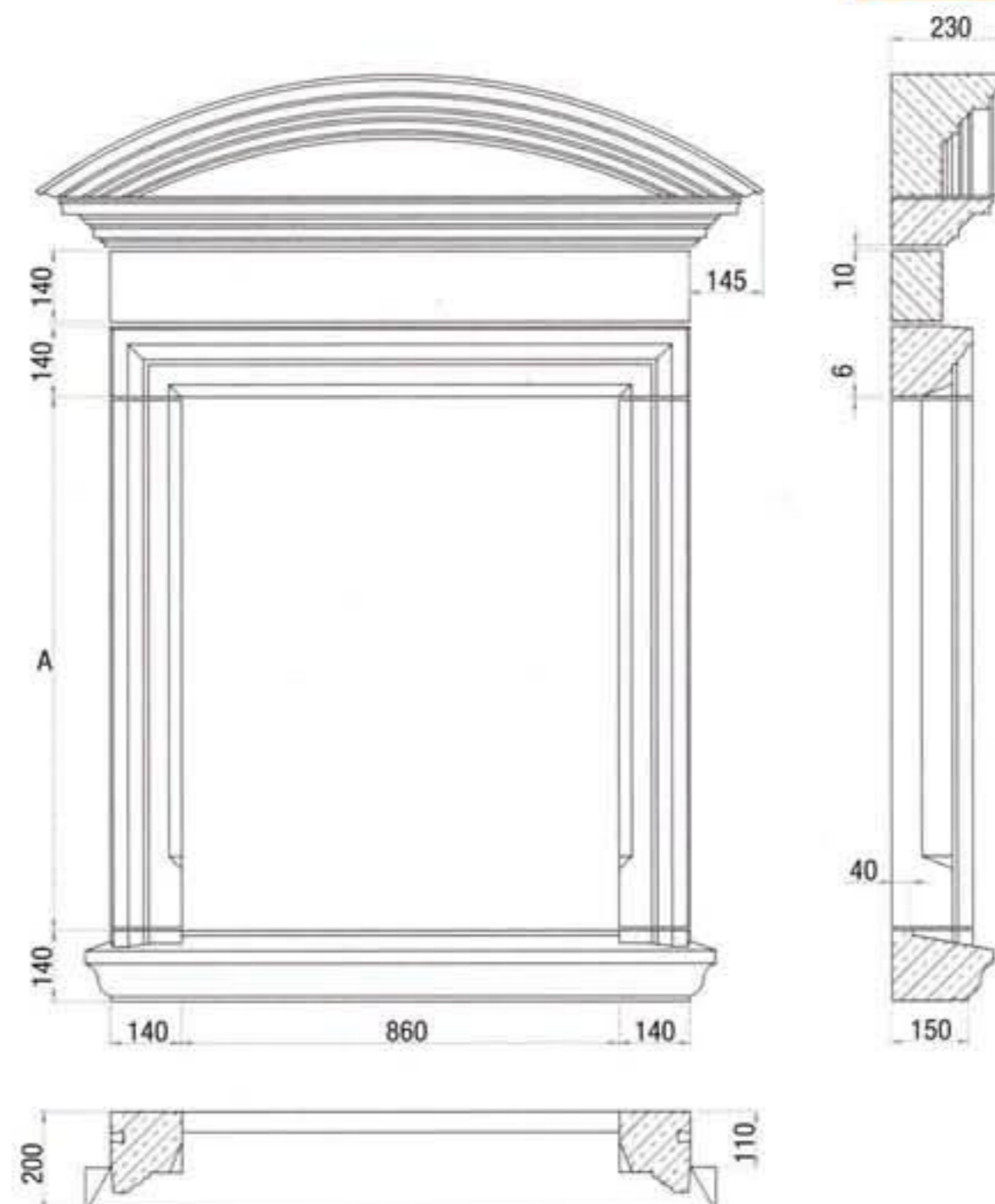
WS13



WS14



WS15

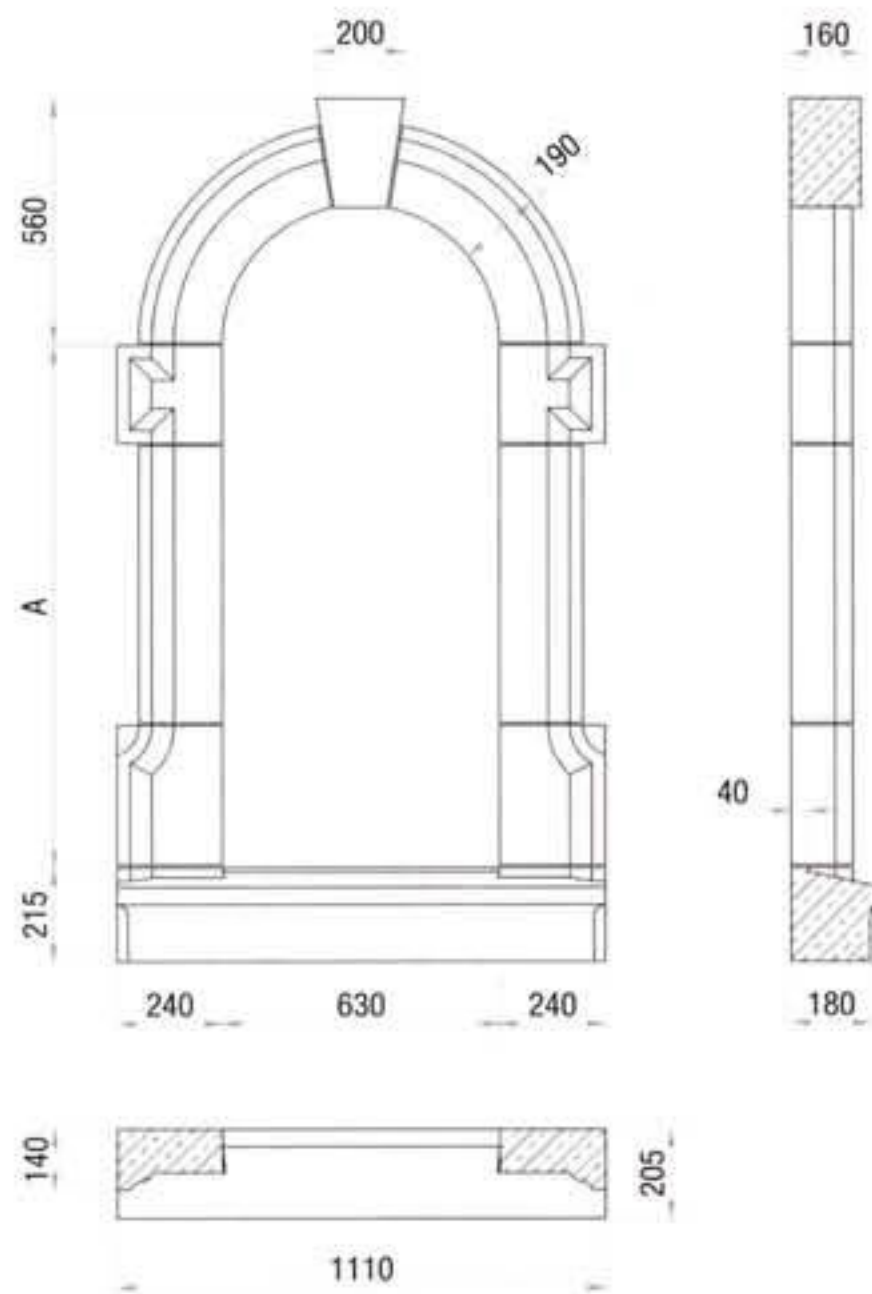




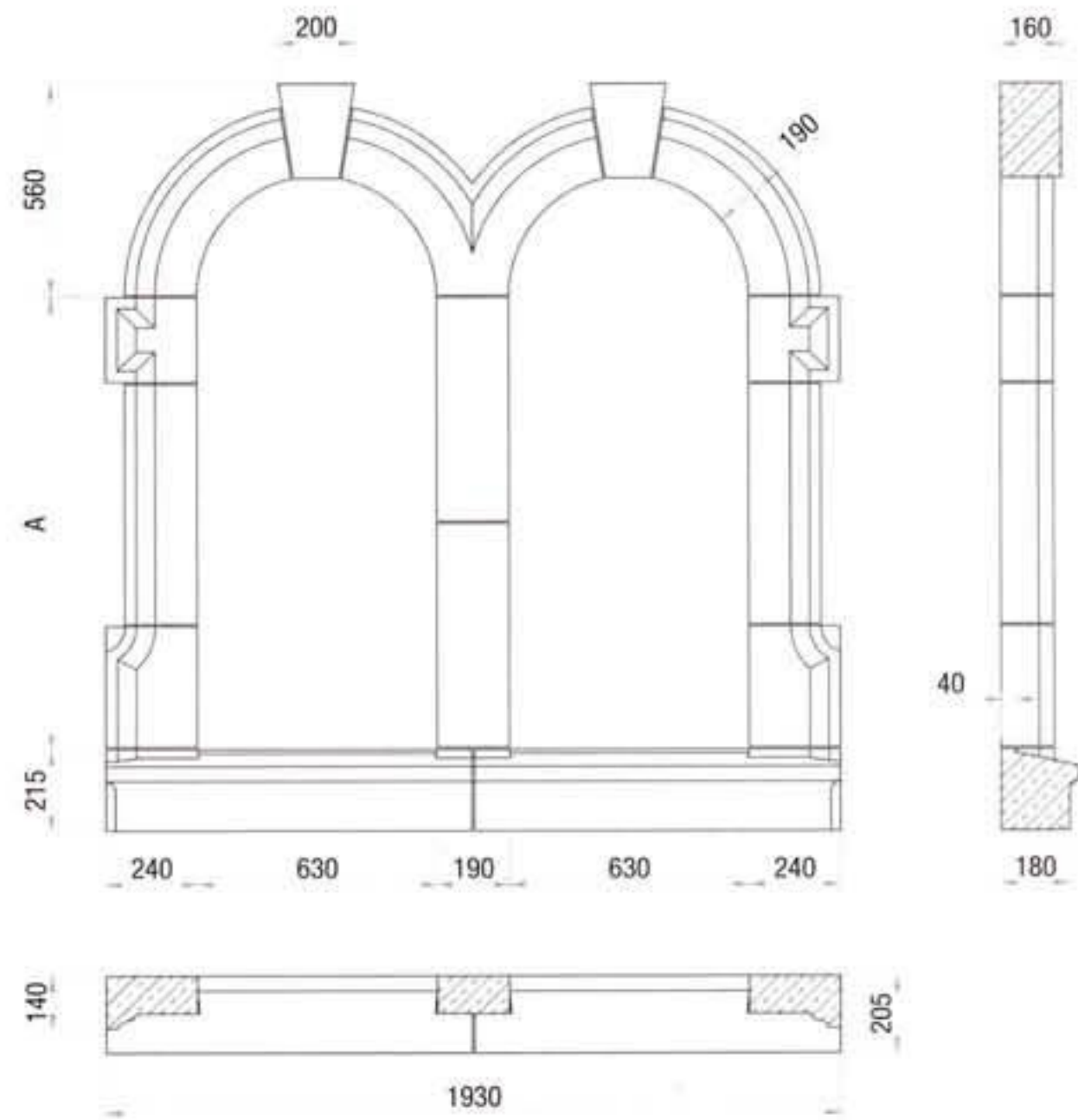
Window Surrounds

Any window surround can be manufactured to suit the height of the window. Please state height 'A' when placing the order. Jambs/mullions over 1500mm would be supplied in two pieces in line with the recommendations on slenderness ratios in BS 1217 : 1997. All window surrounds are supplied with stainless steel dovetail cramp fixings and dowels. A Technical Data Sheet showing the recommended fixing details of window surrounds is available on request. Sizes to suit standard window openings can also be supplied together with bay surrounds.

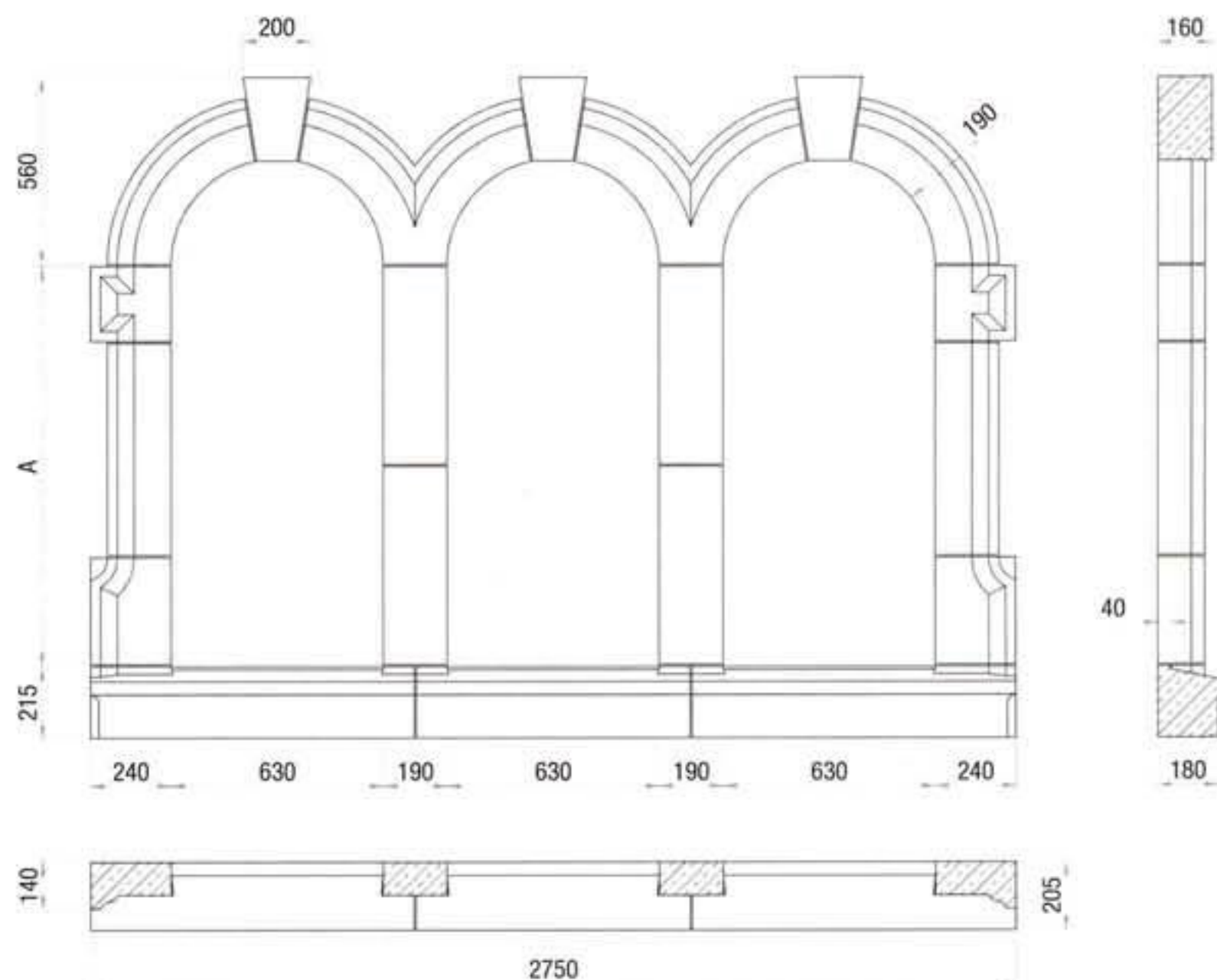
WS16



WS17



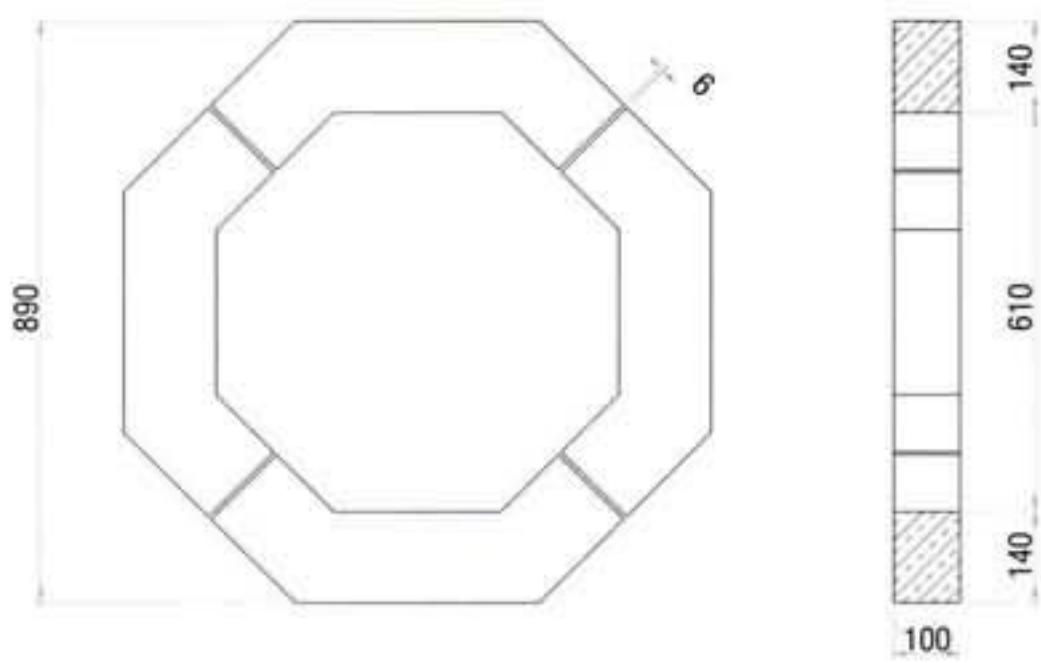
WS18



Octagonal Window Surround

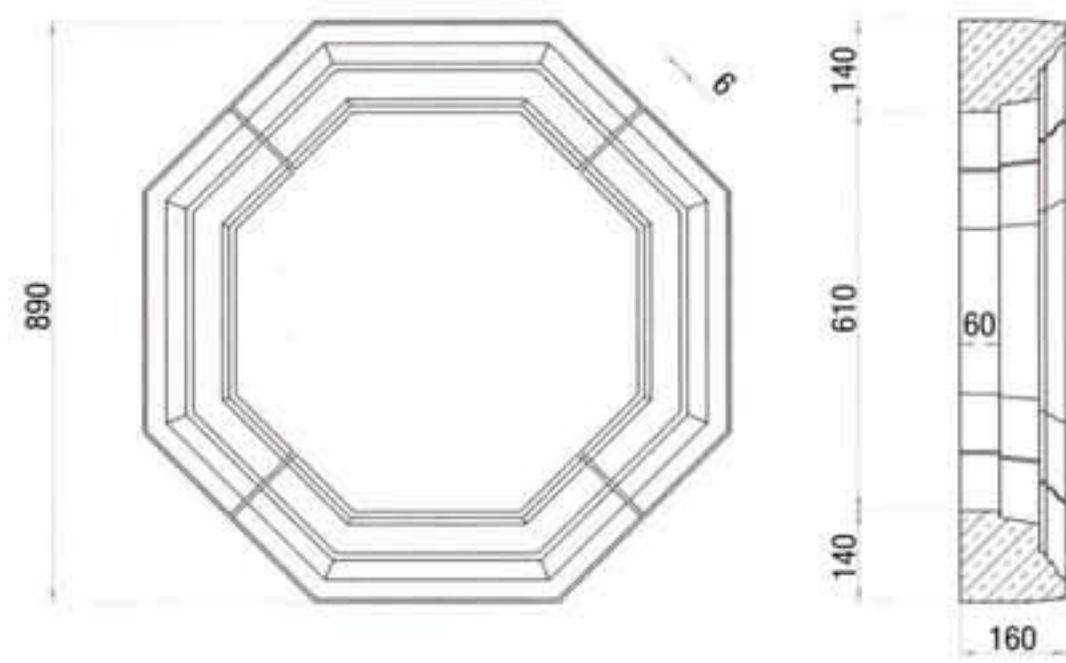


OS1



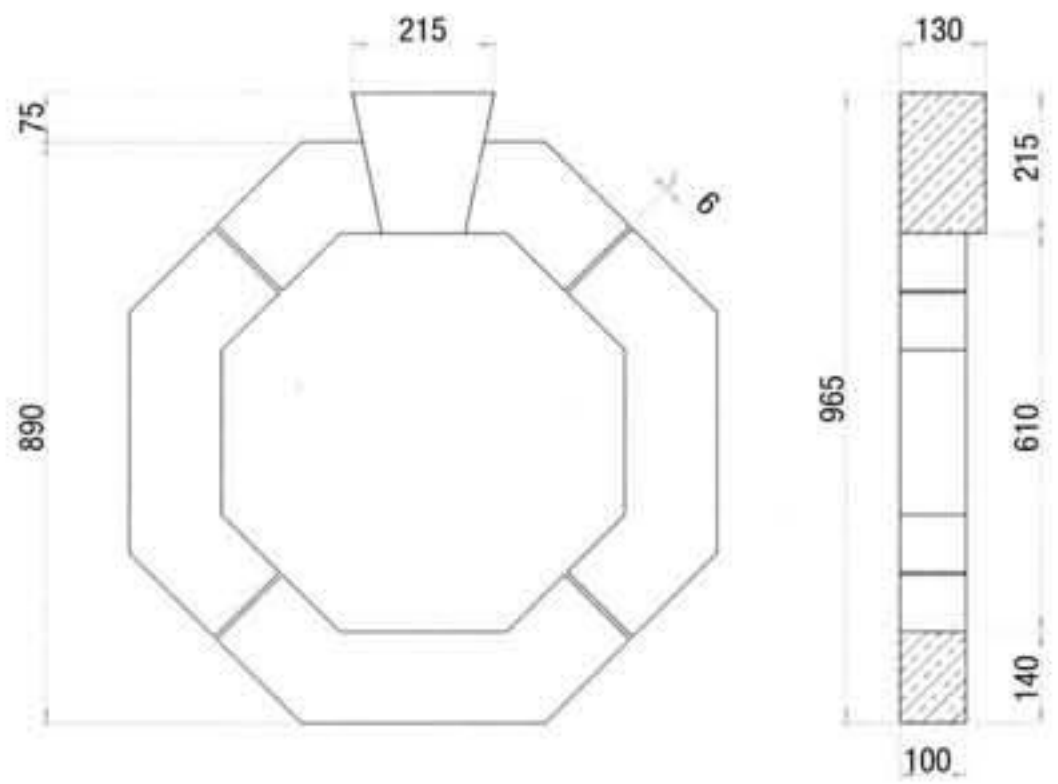
Total Weight: 74Kg

OS4



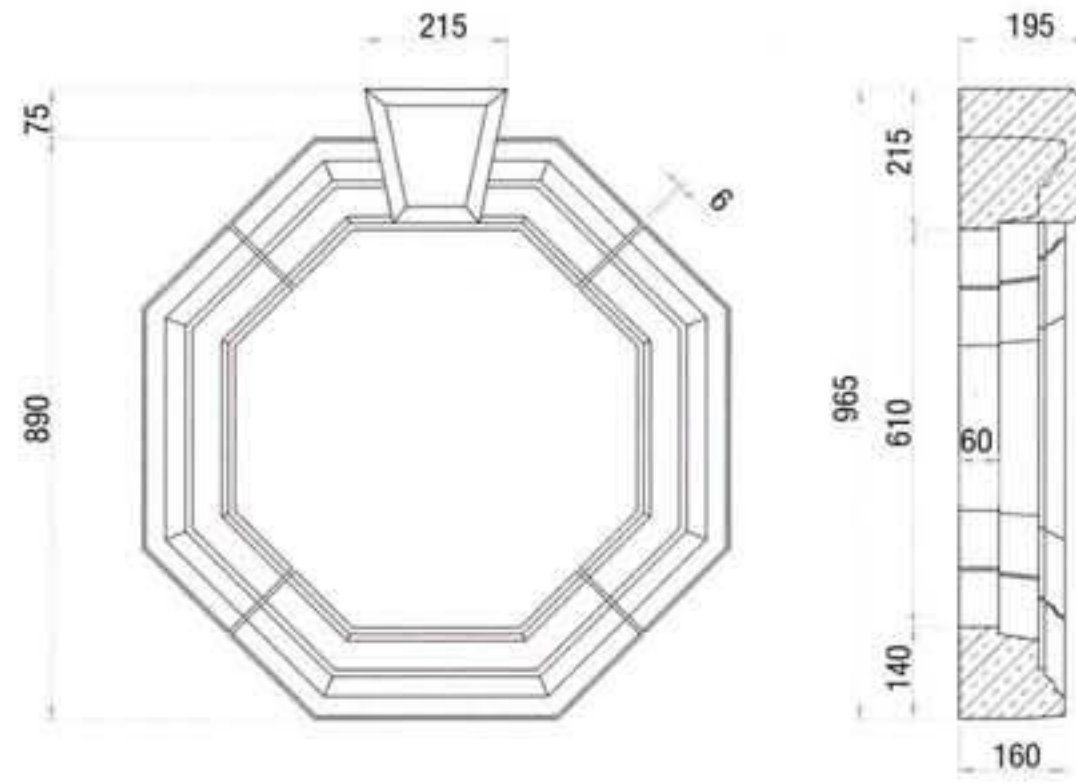
Total Weight: 96Kg

OS2



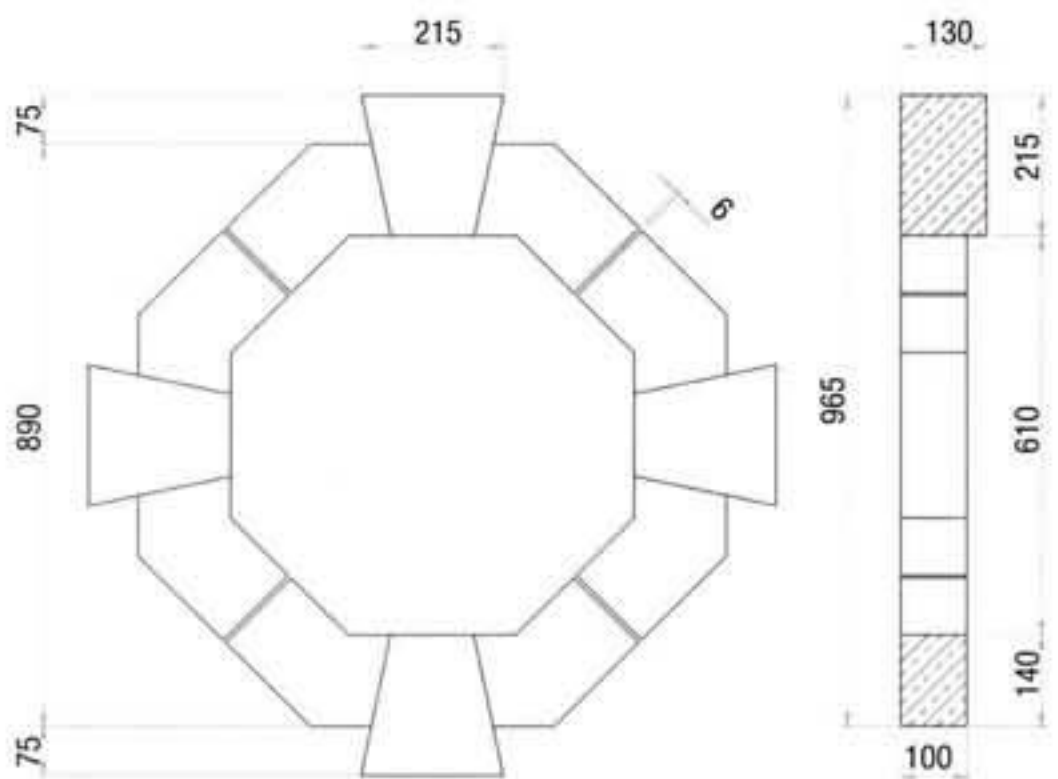
Total Weight: 80Kg

OS5



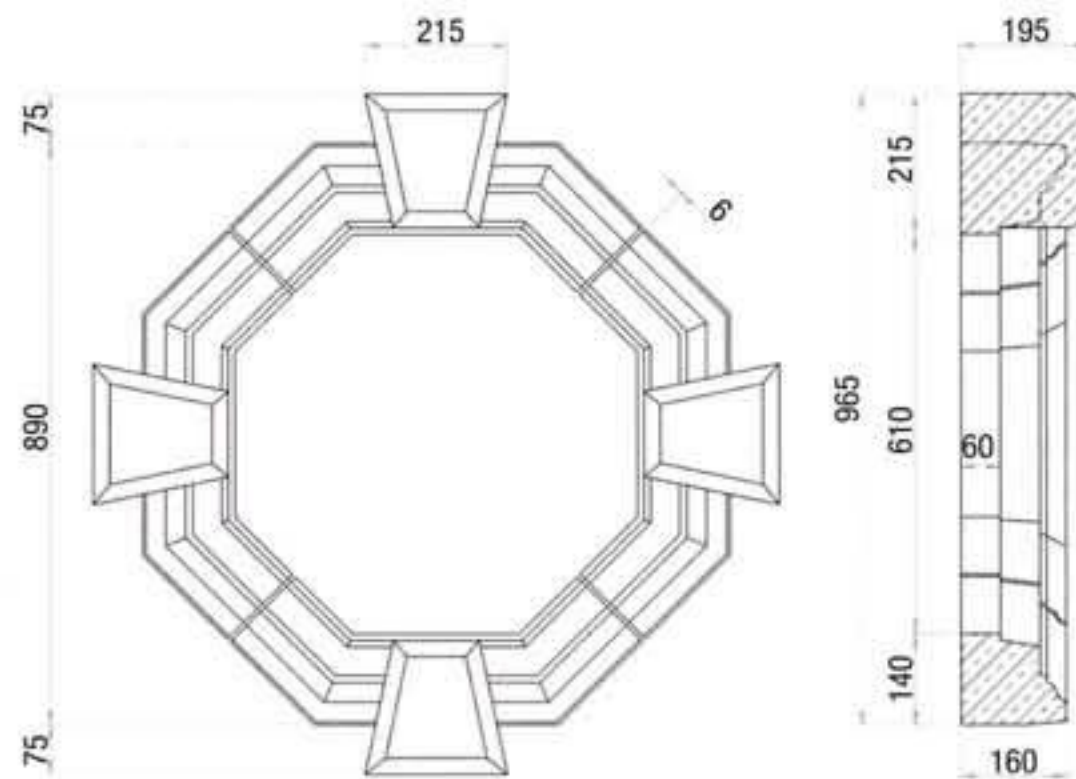
Total Weight: 105Kg

OS3



Total Weight: 96Kg

OS6



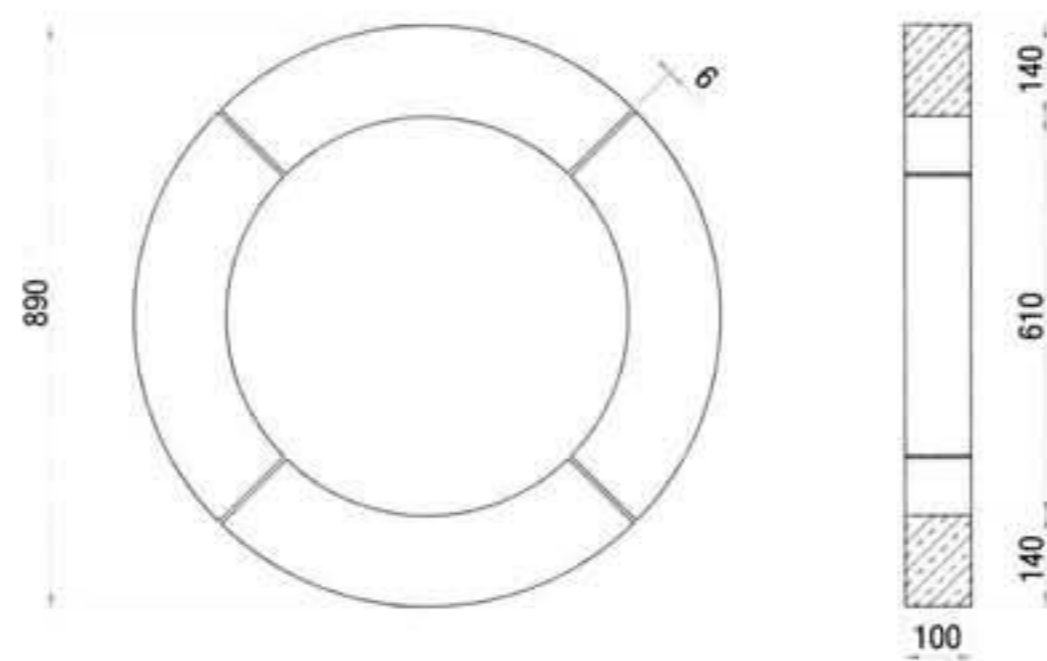
Total Weight: 130Kg



Circular Window Surrounds

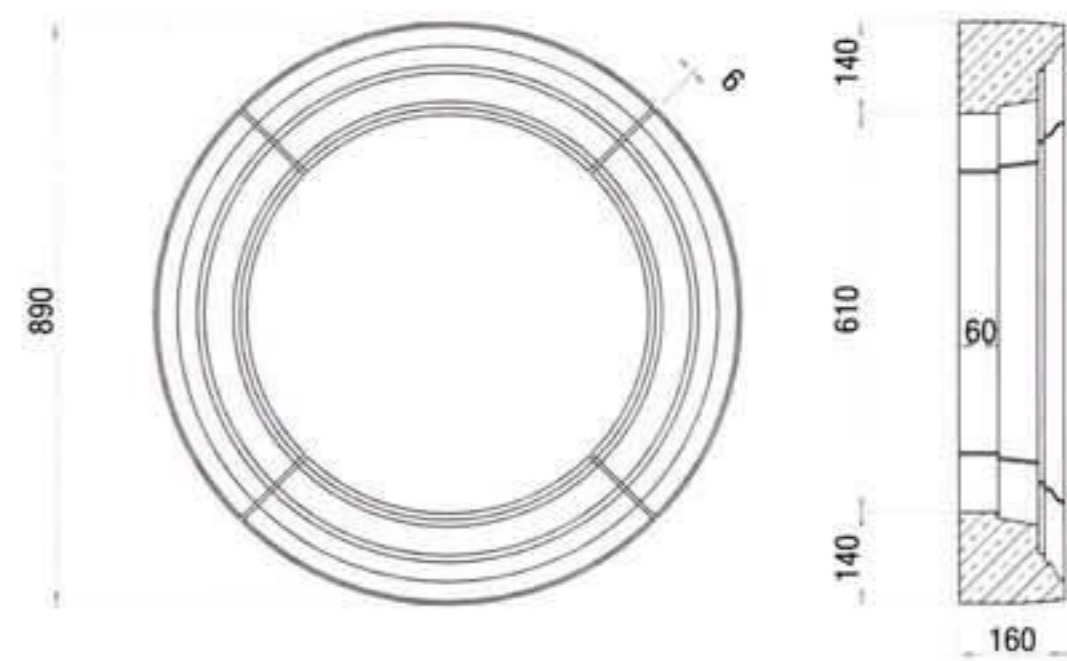
All circular windows surrounds on this page have been based on a standard 600mm diameter window.

CW4



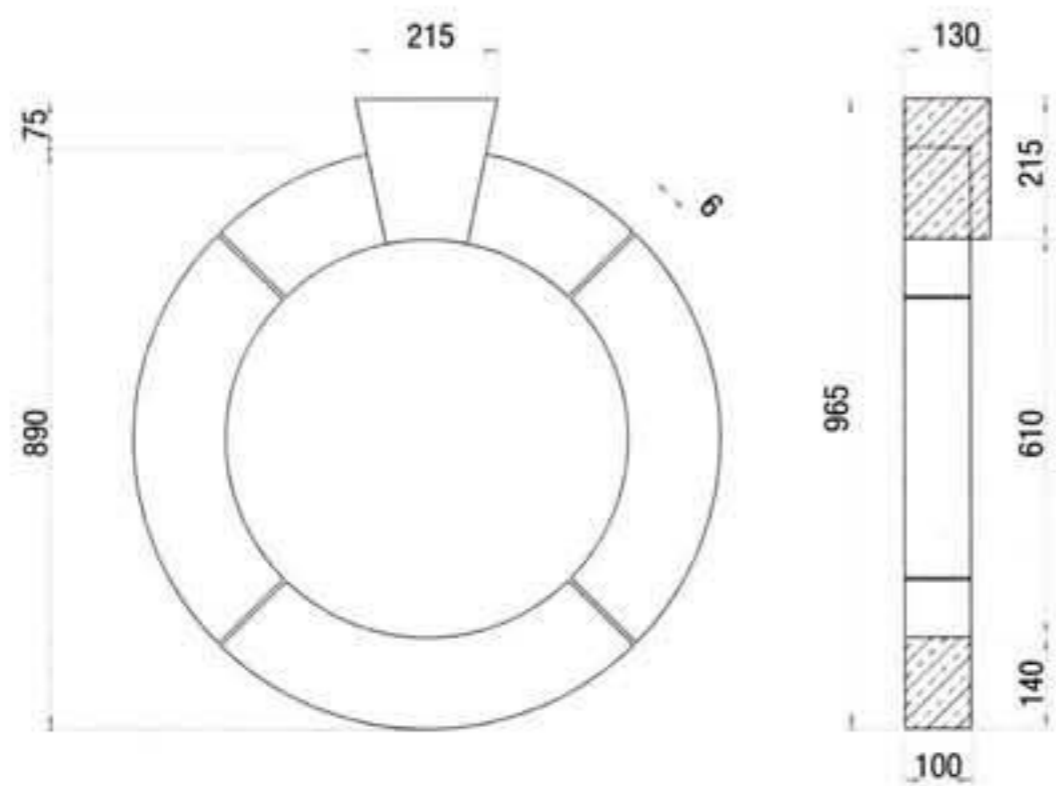
Total Weight: **70Kg**

CW7



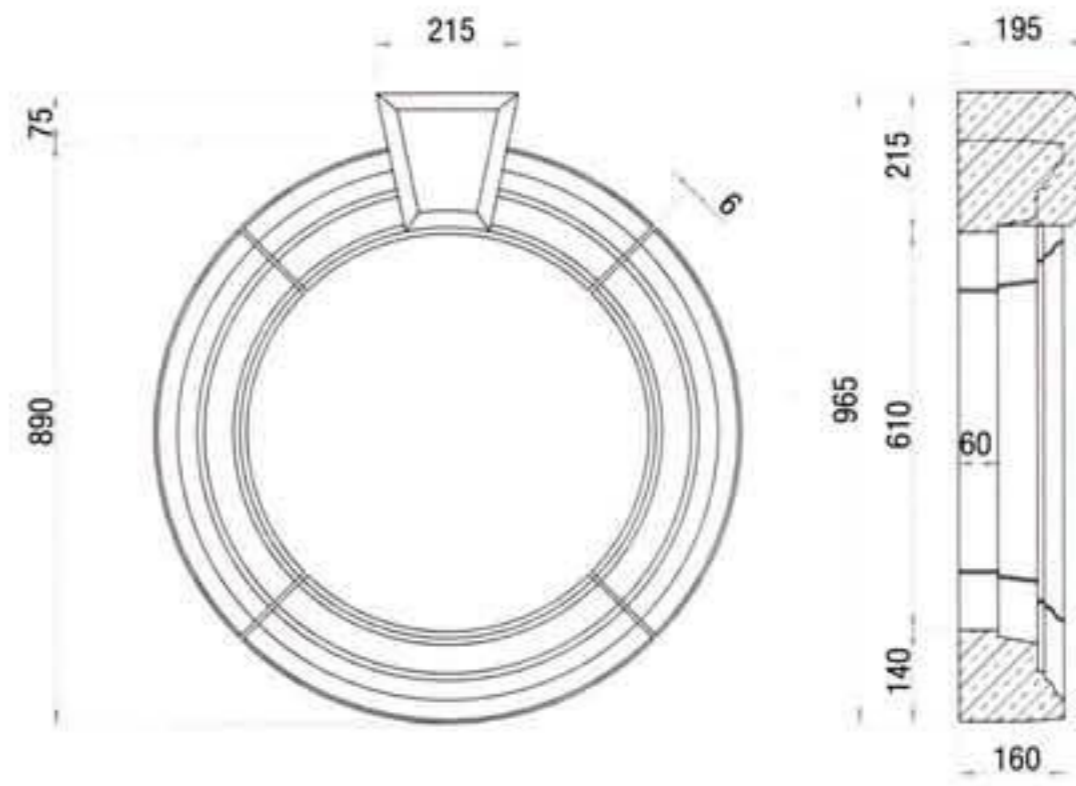
Total Weight: **91Kg**

CW5



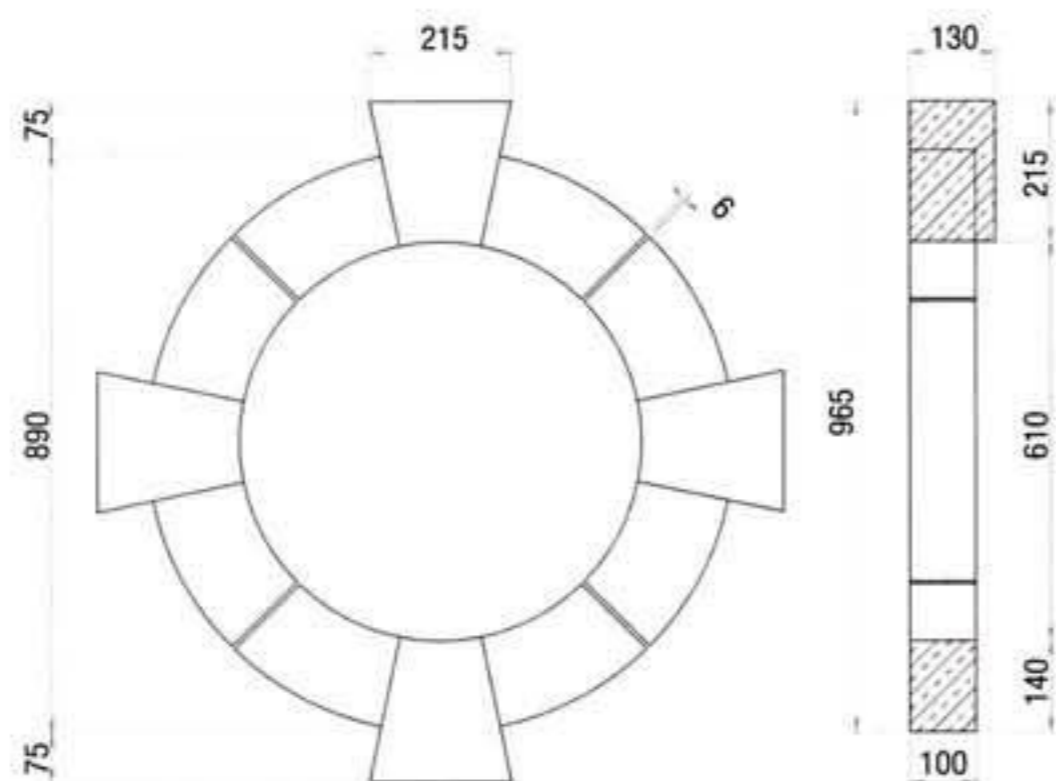
Total Weight: **76Kg**

CW8



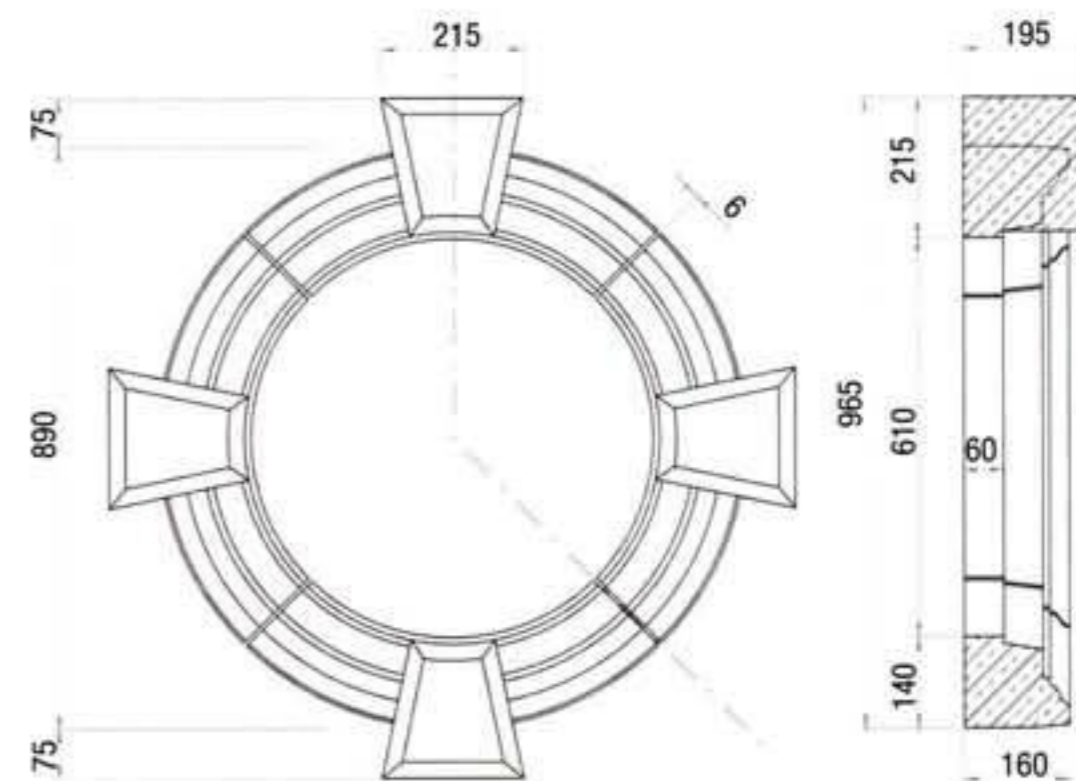
Total Weight: **100Kg**

CW6



Total Weight: **92Kg**

CW9

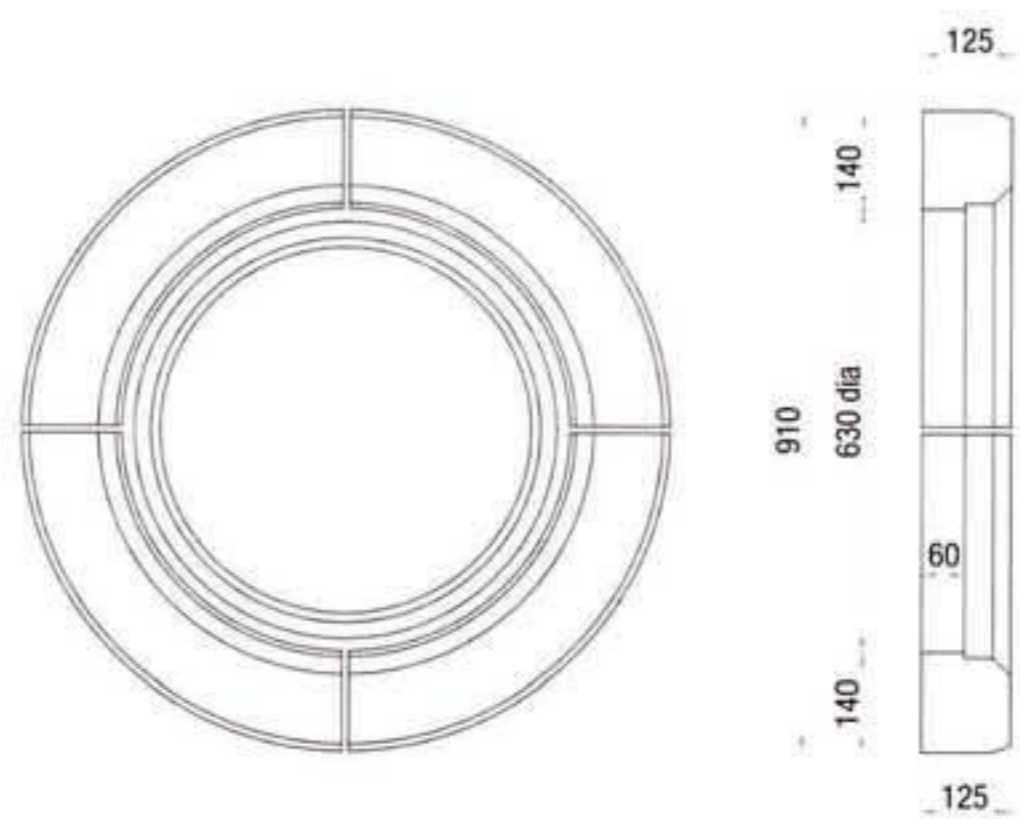


Total Weight: **125Kg**

Circular Window Surrounds

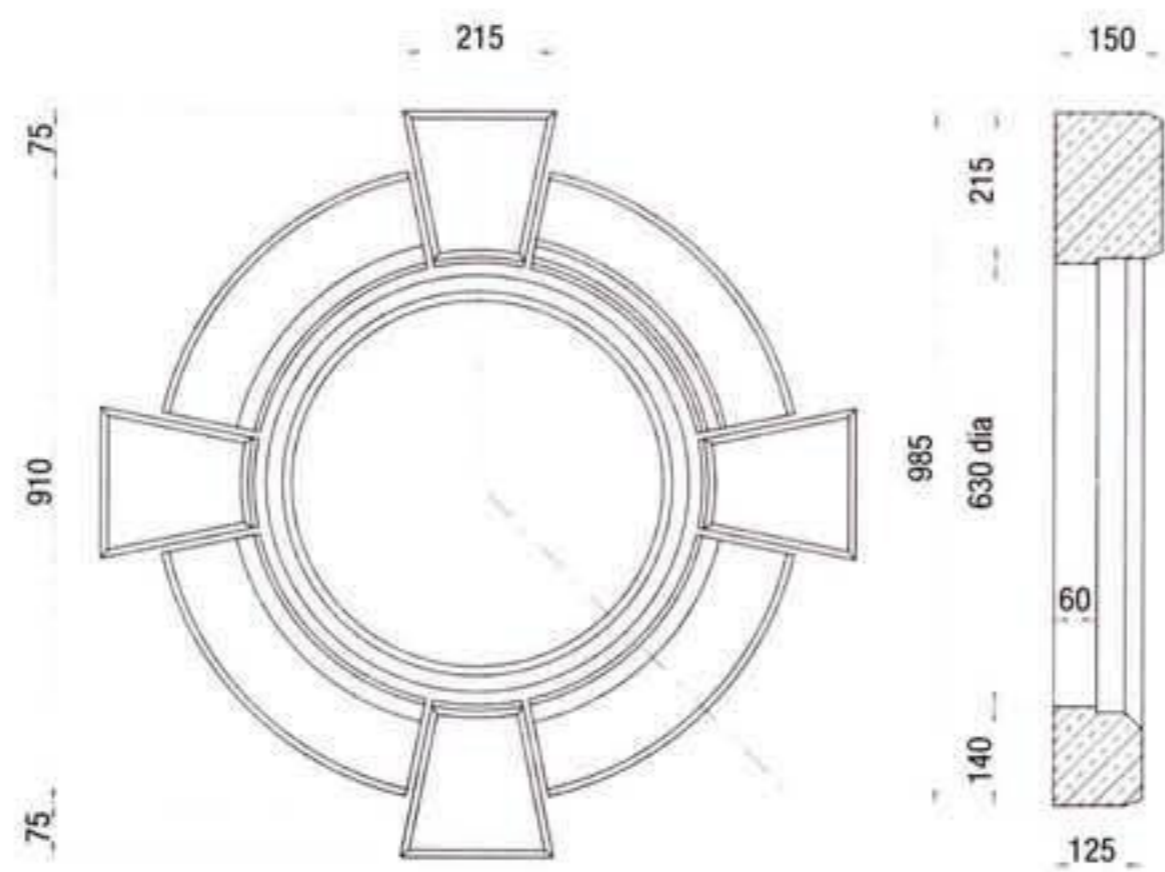


CW2



Total Weight: 82Kg

CW3



Total Weight: 124Kg

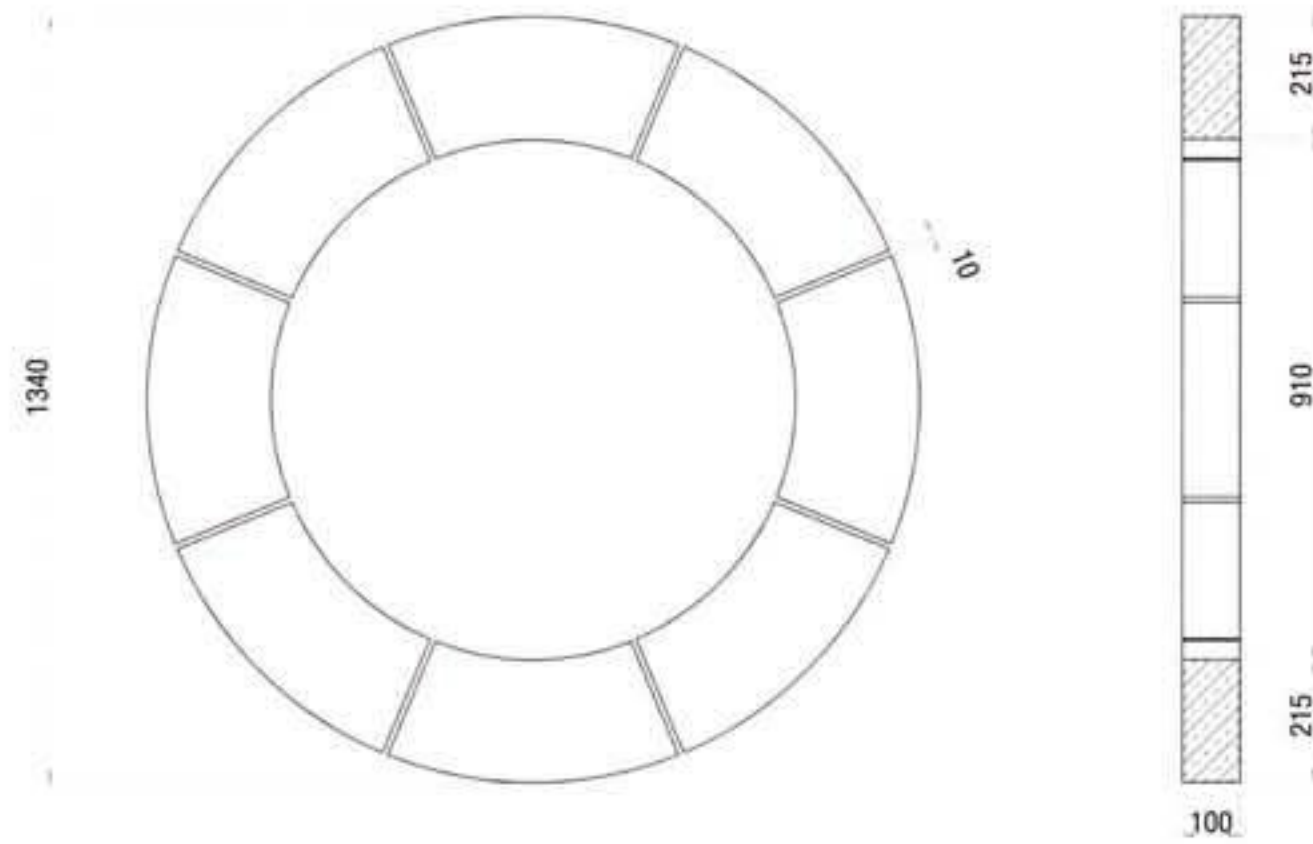


Circular Window Surrounds

All circular windows surrounds on this page have been based on a standard 900mm diameter window.

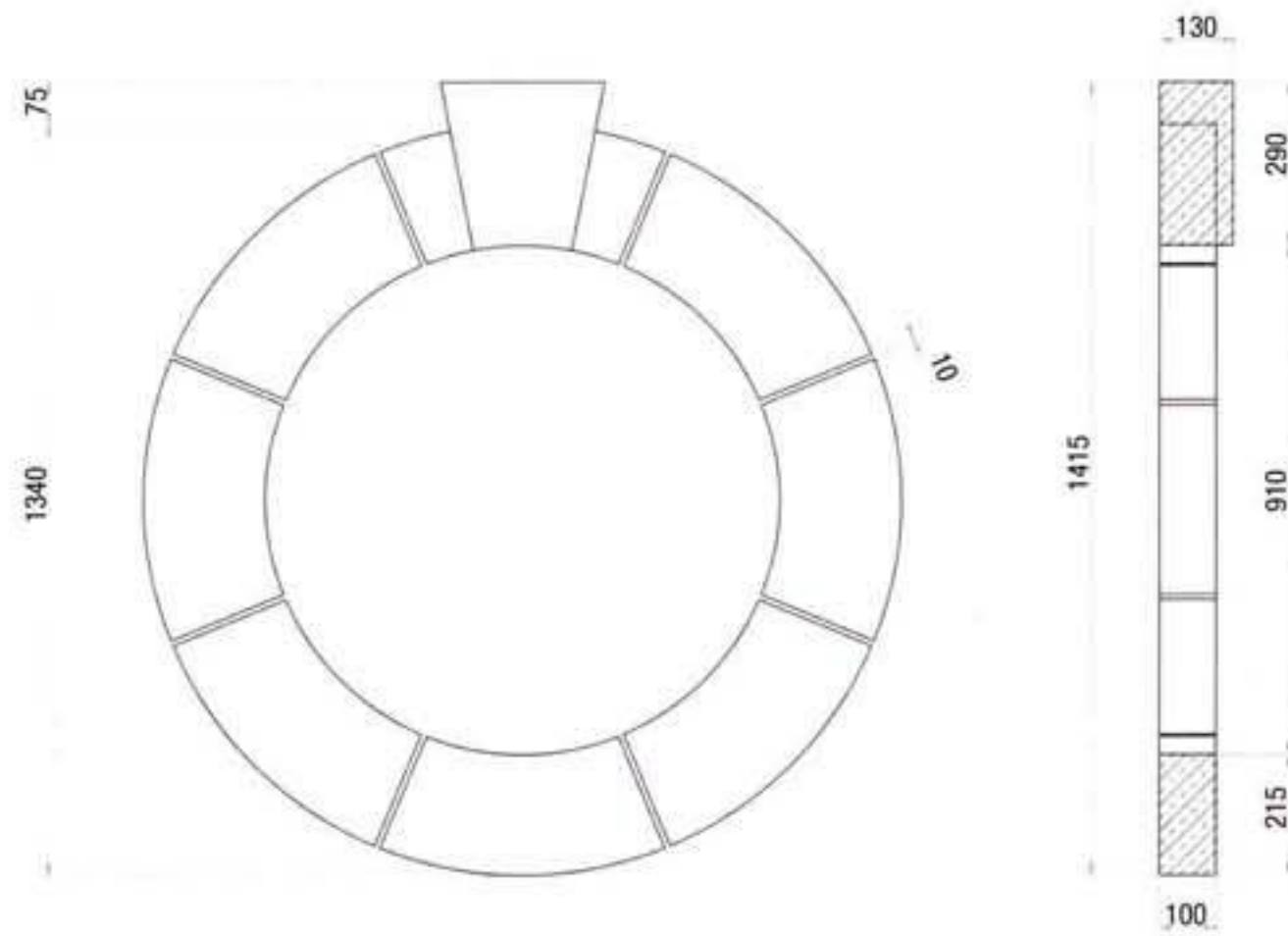
Clip over keystones have been used please see page 31 for details.

CW10



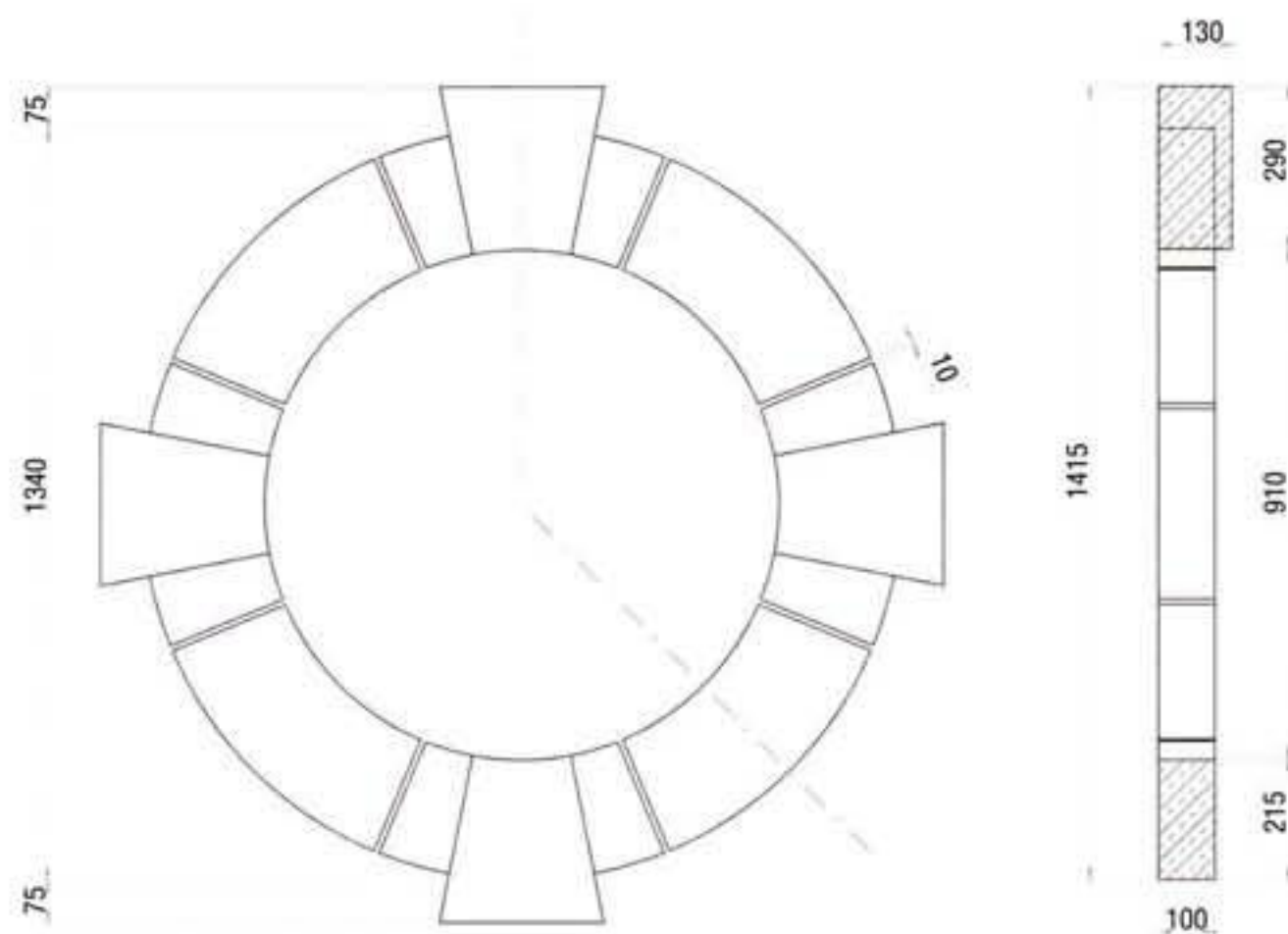
Total Weight: 160Kg

CW11



Total Weight: 169Kg

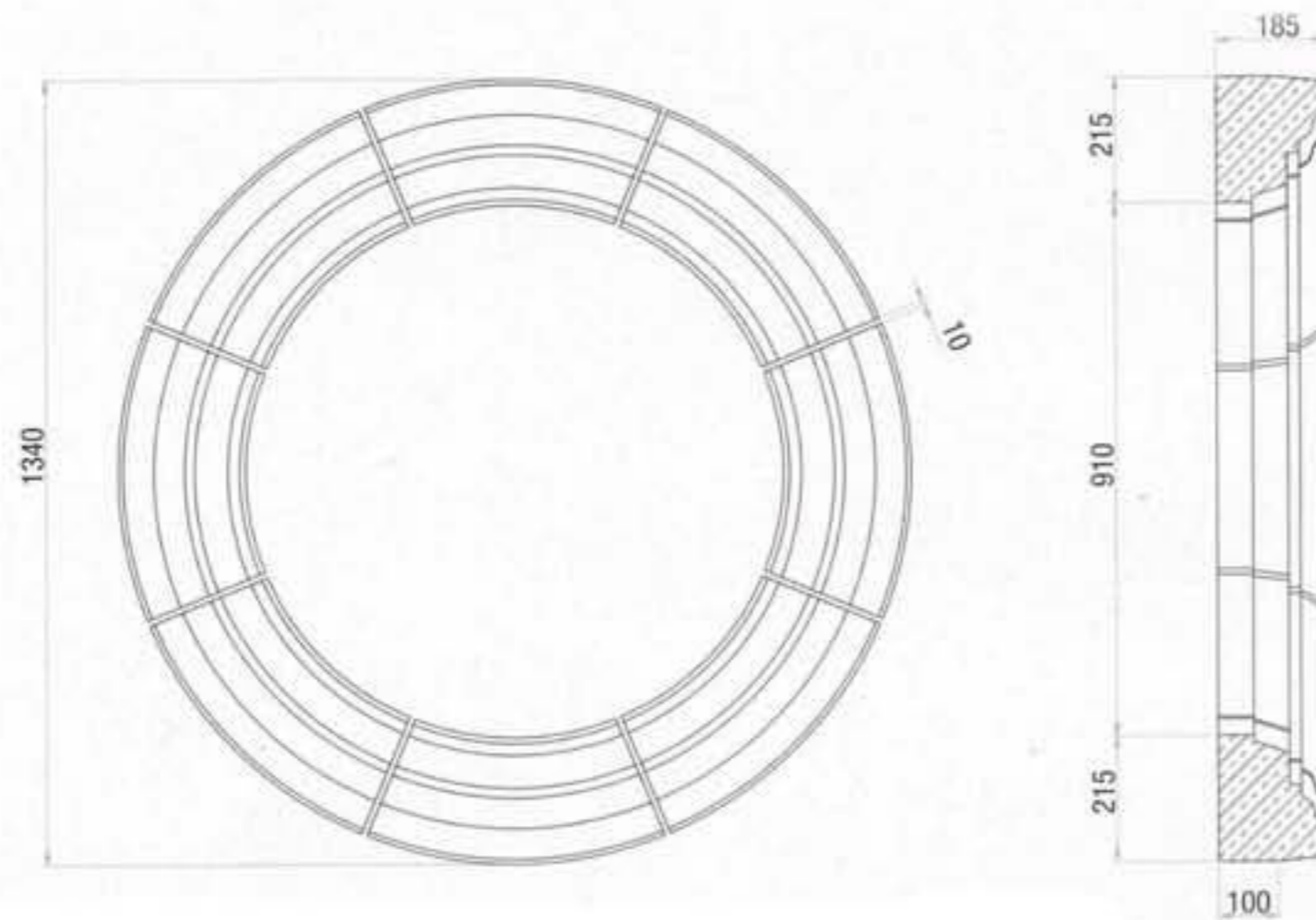
CW12



Total Weight: 196Kg

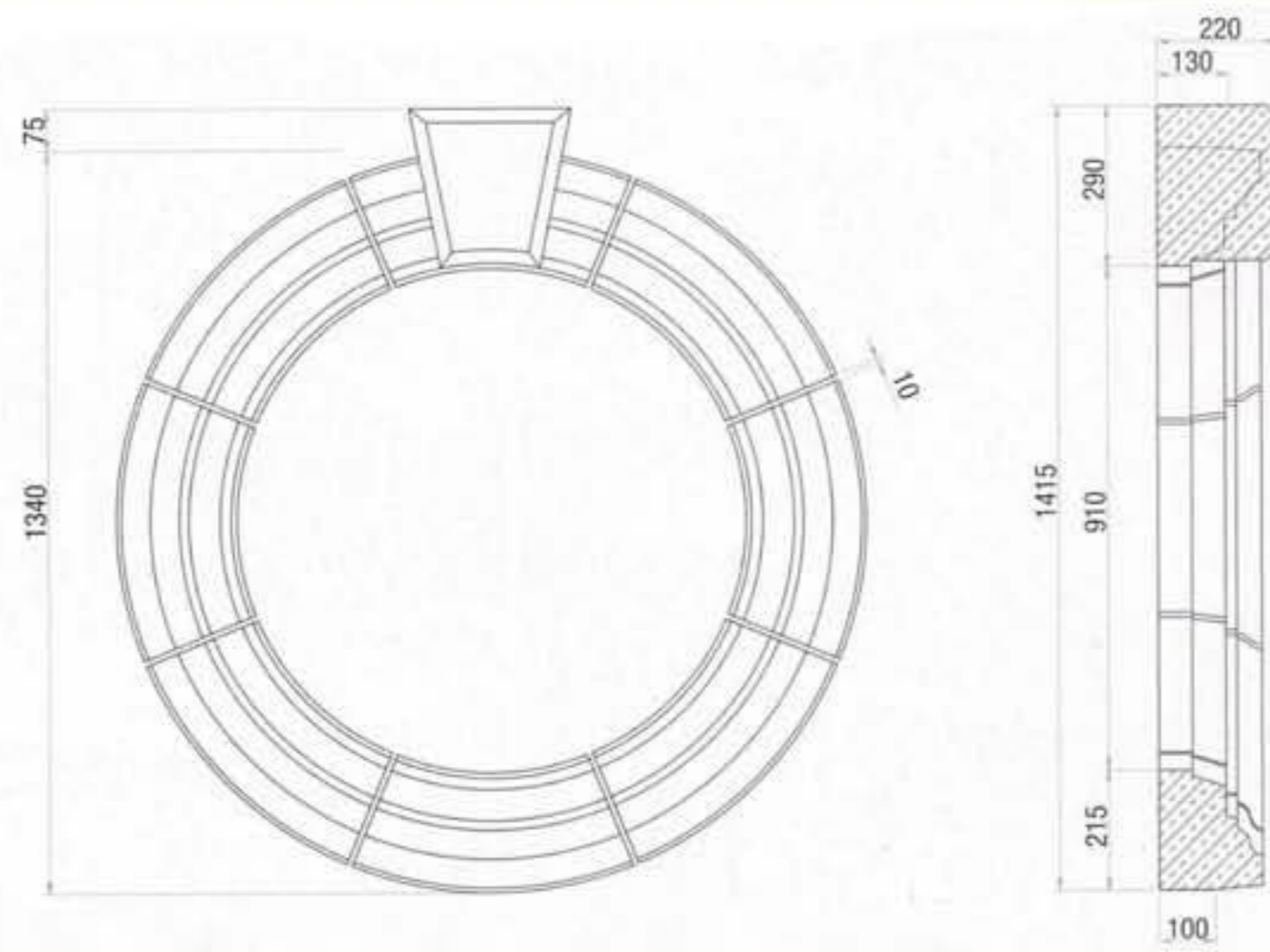
Circular Window Surrounds

All circular windows surrounds on this page have been based on a standard 900mm diameter window.



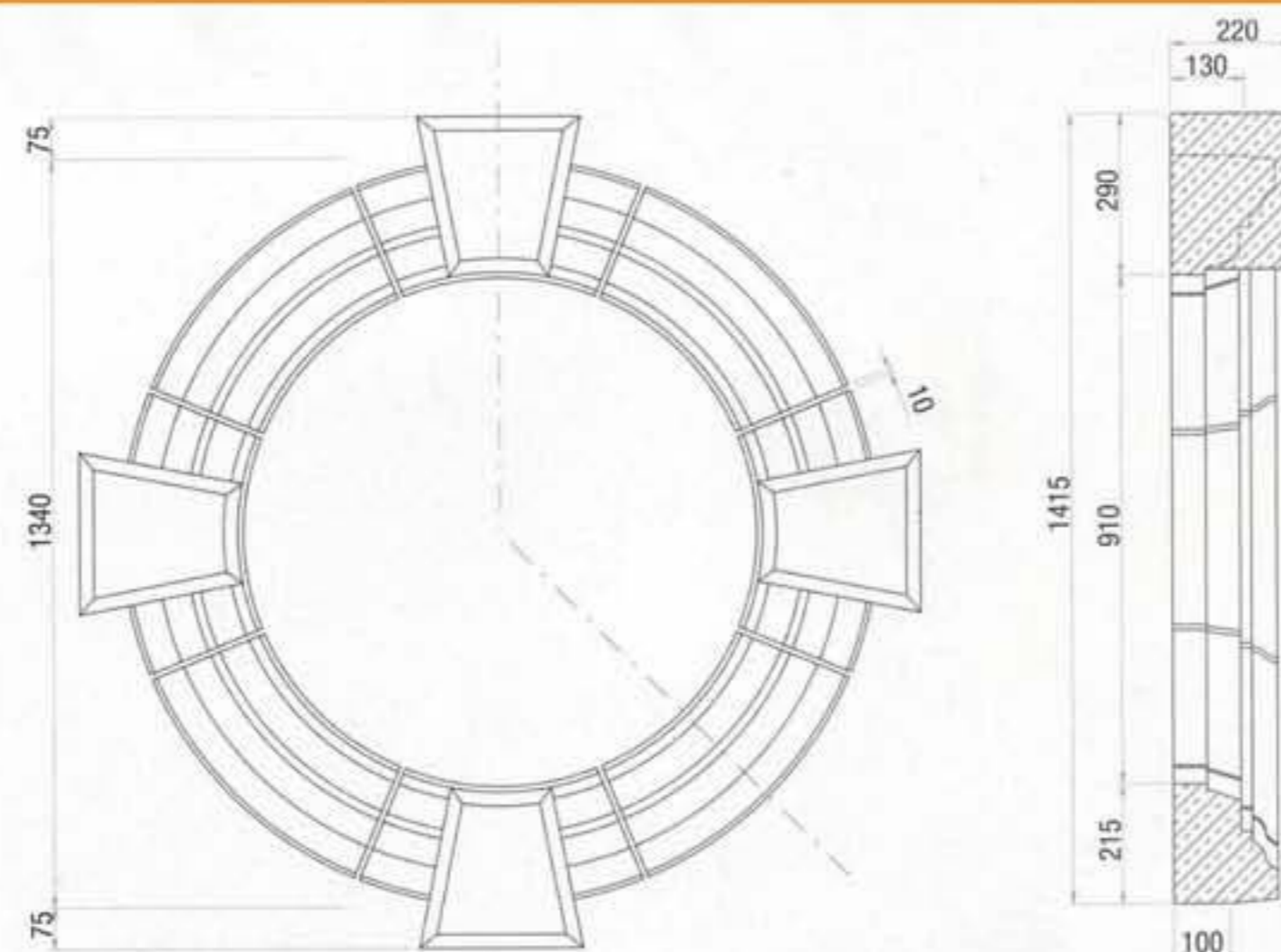
CW13

Total Weight: 235Kg



CW14

Total Weight: 250Kg



CW15

Total Weight: 300Kg

Door Surrounds



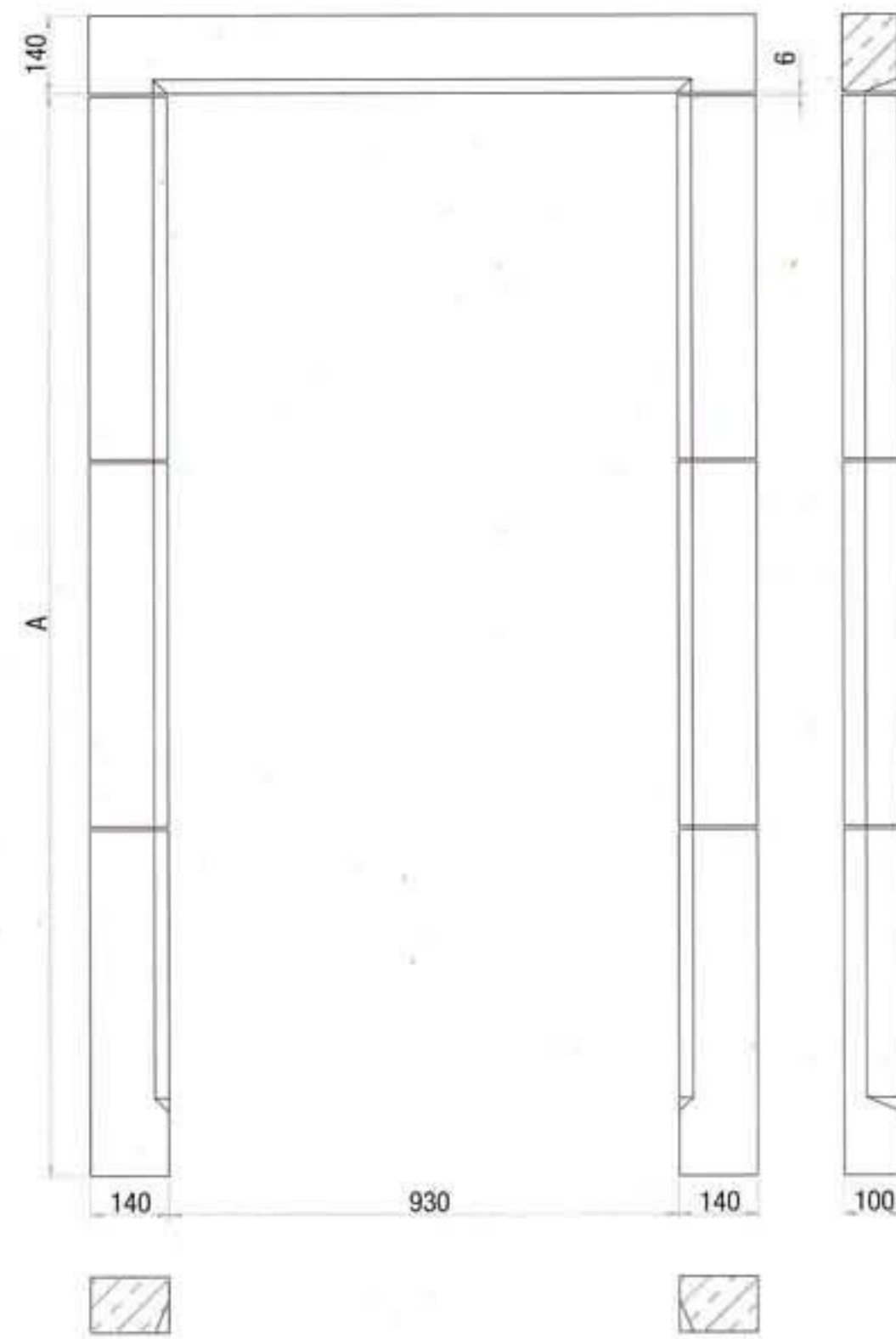
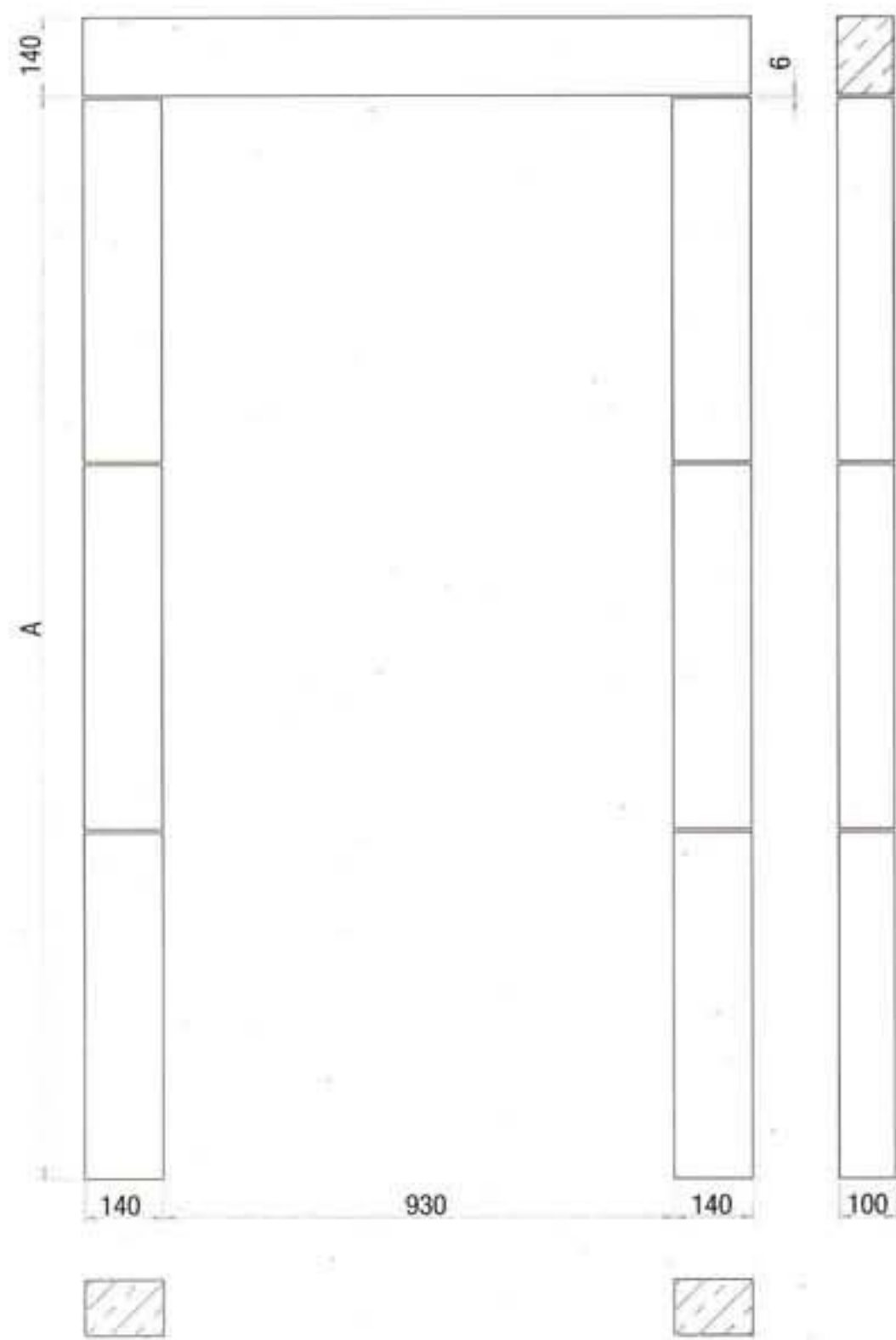
All door surrounds are supplied with stainless steel dovetail cramp fixings and dowels.

Please state dimension A when ordering.

A Technical Data Sheet showing the recommended installation is available on request.

DS1

DS2



Door Surrounds

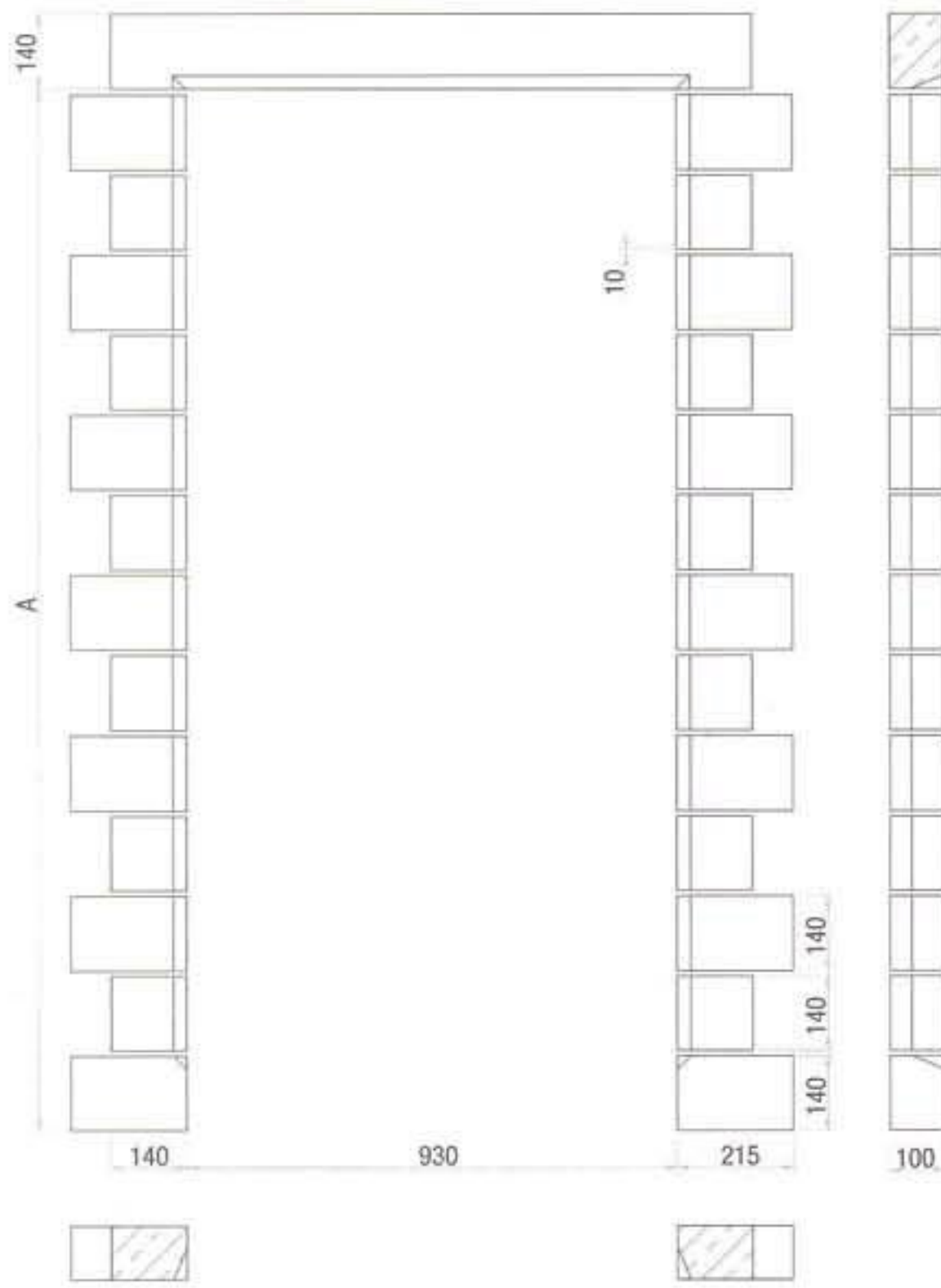


All door surrounds are supplied with stainless steel dovetail cramp fixings and dowels.

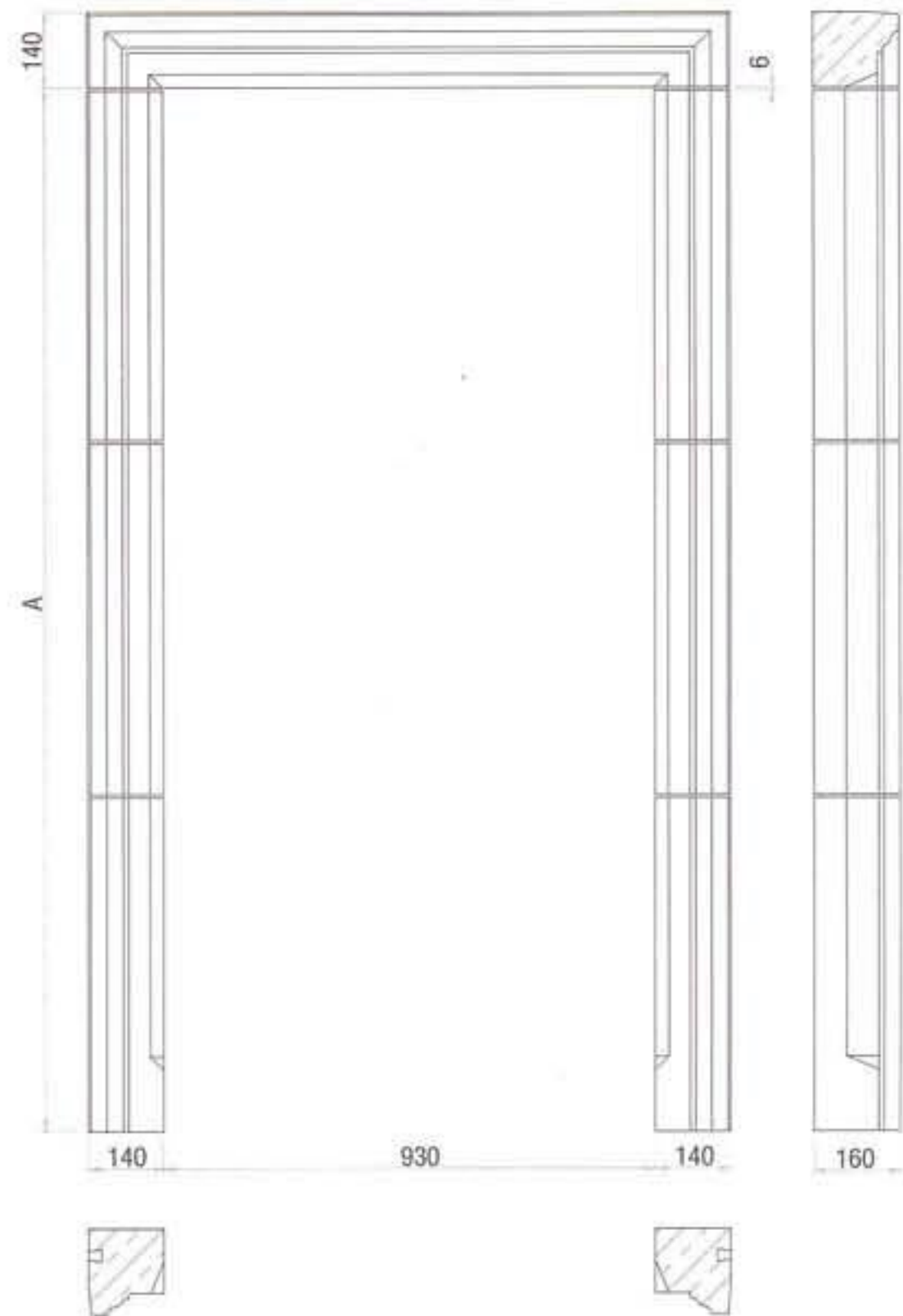
Please state dimension A when ordering.

A Technical Data Sheet showing the recommended installation is available on request.

DS3



DS4



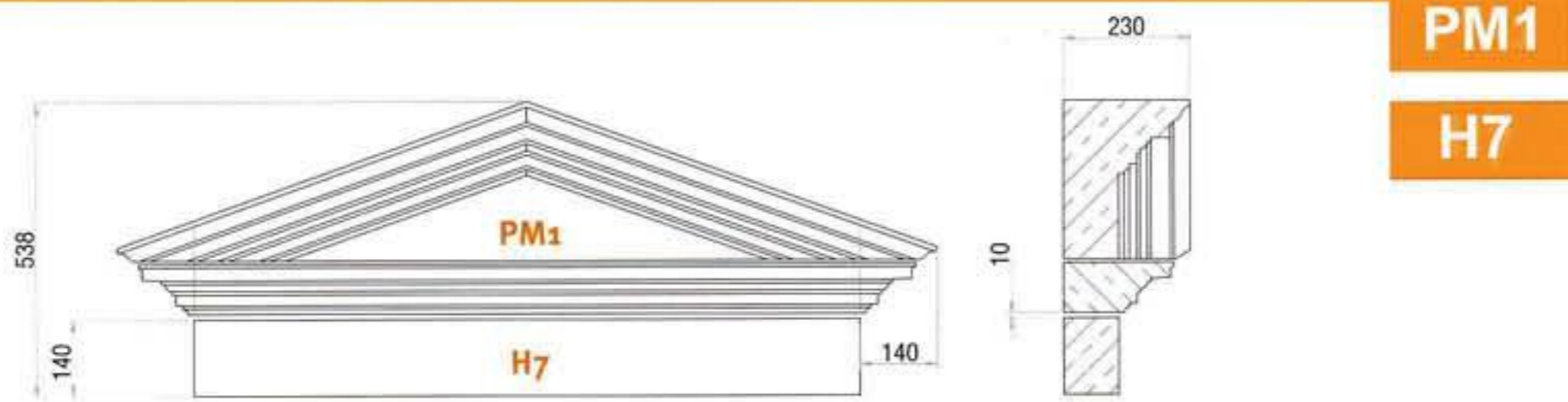
Door Surrounds



All door surrounds are supplied with stainless steel dovetail cramp fixings and dowels.

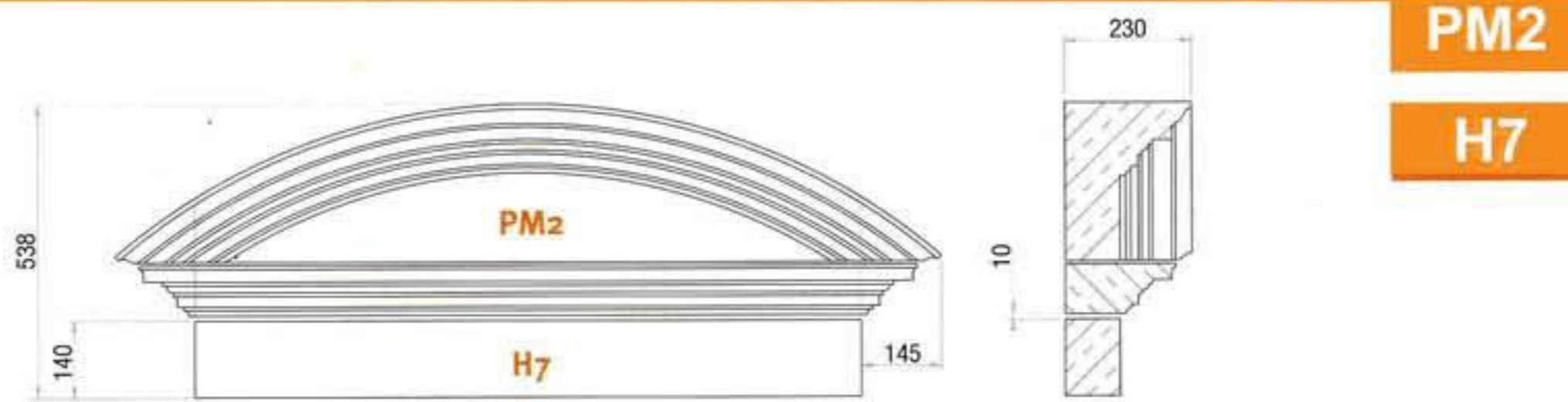
Please state dimension A when ordering.

A Technical Data Sheet showing the recommended installation is available on request.



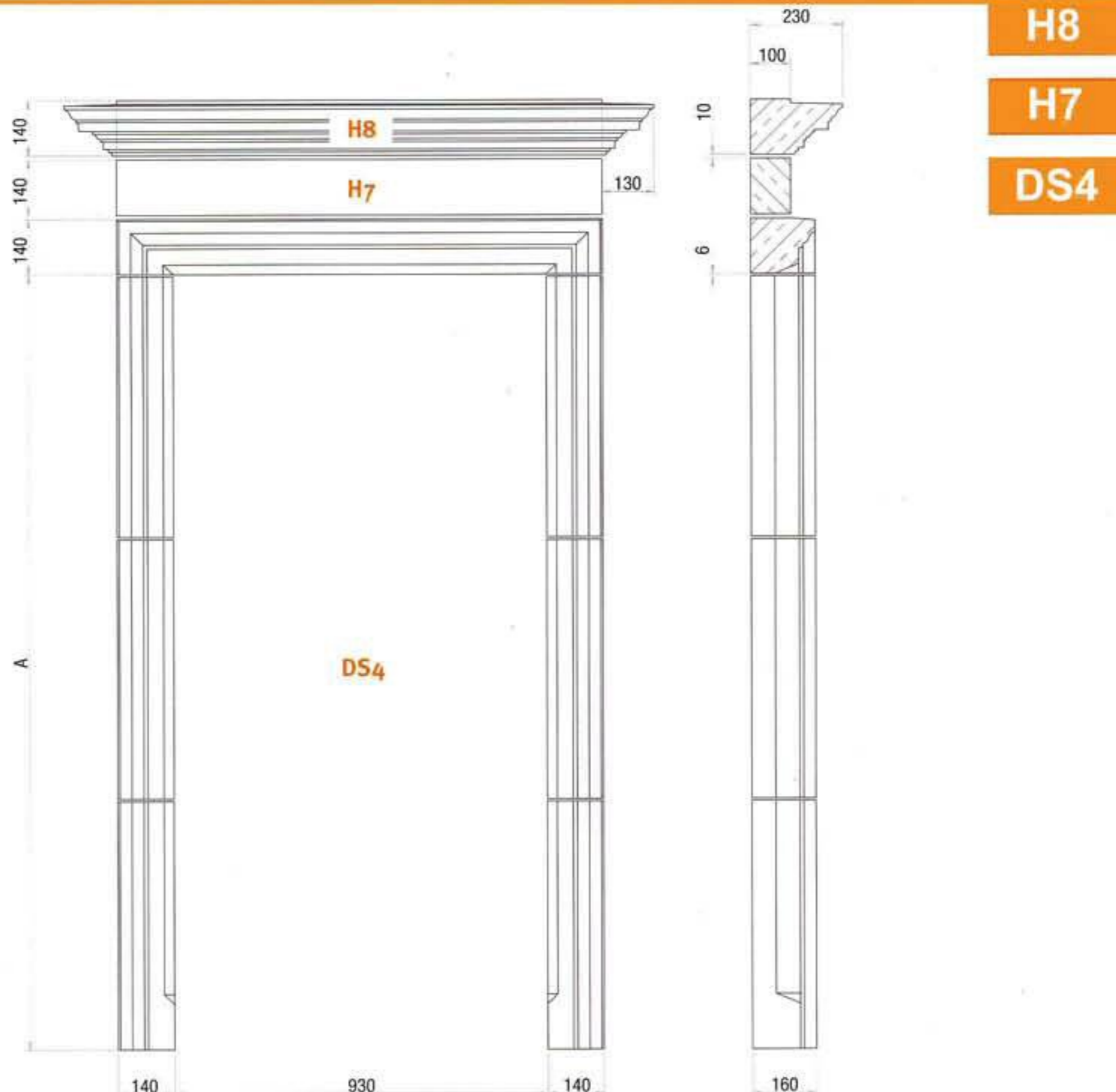
PM1

H7



PM2

H7



H8

H7

DS4



Door Surrounds

A relieving lintel will be required to carry structure above and to provide support for the centre of the arch.

A Technical Data Sheet showing the recommended installation is available on request.

PO1

