

# Kee Lite® Safety Components Guide

L148



TYPE  
L148-9/2  
L148-9/4  
(/2 & /4 refer to the number of fixing holes)  
**HEAVY DUTY RECTANGULAR FLANGE**

L150



TYPE  
L150-8  
**HEAVY DUTY 4 HOLE SQUARE FLANGE**

L152



TYPE  
L152-6  
L152-7  
L152-8  
**4 HOLE SQUARE FLANGE**

L160



TYPE  
L160-7  
L160-8  
**SMOOTH HANDRAIL FITTING**

L164



TYPE  
L164-8  
**OFFSET WALL FLANGE**



YOU'LL NEVER BE BETTER PROTECTED

## Safety Components Guide



### Kee Lite® Technical Information

- Kee Lite Fittings are made from high grade Aluminium Silicon Magnesium Alloy.
  - Recommended set screw torque is 39Nm.
  - Minimum slip load capacity on aluminium tube: 7.56kN. (safety factor = 2 with tube having a minimum UTS of 275 N/mm<sup>2</sup>).
  - Large grub screws are designed to resist thread stripping
  - The core range of Kee Lite Fittings has undergone independent testing by TÜV.
- For current detail of the approved fittings go to [www.keesafety.co.uk](http://www.keesafety.co.uk)

#### Kee Lite® Reference Chart

Kee Lite® Fitting Ref.	Nom. Bore mm	Tube Dia. O.D. mm	Fitting I.D. mm
6	25	33.7	35
7	32	42.4	43.5
8	40	48.3	49.5
9	51	60.3	61.5

#### Gaskets

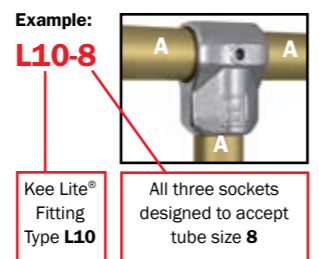
BS6180:1999 (specification for guardrail in and around buildings) states that when Aluminium comes into contact with concrete the aluminium surface should have at least 2 coats of Bituminous paint applied. The simple alternative is to use a standard Kee Lite rubber gasket.

LG58 LG61-8 LG62-8 LG68-8 LG70-6 LG148-9 LG152-7  
 LG61-6 LG62-6 LG68-6 LG69-7 LG70-7 LG150-8 LG152-8  
 LG61-7 LG62-7 LG68-7 LG69-8 LG70-8 LG152-6 LG164-8

For highly corrosive environments, stainless steel grub screws are available at a small additional charge. **Kee Lite aluminium fittings are designed to suit BS EN 755 tube.**

### Specifying Kee Lite® Fittings

Each fitting has a simple code reference, which defines the type of fitting and the tube size, or sizes, it is designed to receive. The first part, preceding the dash (-) identifies the type of Kee Lite® fitting. A digit, following the dash, defines tube size.



Kee Systems Limited  
Thornsett Works  
Thornsett Road  
London  
SW18 4EW

Tel: 020 8874 6566  
Fax: 020 8874 5726

Email: [sales@keesystems.com](mailto:sales@keesystems.com)  
Website: [www.keesystems.com](http://www.keesystems.com)

- HIGH CORROSION RESISTANCE
- LIGHTWEIGHT VERSATILITY
- NO WELDING, THREADING OR BOLTING REQUIRED



KEE LITE is a registered trademark of Kee Safety Limited. Whilst every effort has been made to ensure the accuracy of the information contained in this brochure Kee Safety Limited cannot be held responsible for any errors or omissions. Kee Safety Limited reserves the right to alter or withdraw products without prior notice. Kee Safety Ltd accepts no responsibility for any loss or damage arising from improper use of their products. ©2011 Kee Safety Ltd. All Rights Reserved.

# Kee Lite® Safety Components Guide

L10



TYPE  
L10-6  
L10-7  
L10-8  
L10-9

**SINGLE  
SOCKET TEE**

L14



TYPE  
L14-6  
L14-7  
L14-8

**STRAIGHT  
COUPLING**

L15



TYPE  
L15-6  
L15-7  
L15-8  
L15-9

**90° ELBOW**

L19



TYPE  
L19-6  
L19-7  
L19-8

**ADJUSTABLE  
SIDE OUTLET  
TEE**

L20



TYPE  
L20-6  
L20-7  
L20-8

**SIDE OUTLET  
ELBOW**

L21



TYPE  
L21-6  
L21-7  
L21-8

**90° SIDE  
OUTLET TEE**

L25



TYPE  
L25-6  
L25-7  
L25-8  
L25-9

**THREE SOCKET  
TEE**

L26



TYPE  
L26-6  
L26-7  
L26-8  
L26-9

**TWO SOCKET  
CROSS**

L29



TYPE  
L29-7  
L29-8

**30° TO 60°  
SINGLE  
SOCKET TEE**

L30



TYPE  
L30-7  
L30-8

**30° TO 45°  
ADJUSTABLE  
CROSS**

L35



TYPE  
L35-6

**THREE SOCKET  
CROSS**

L45



TYPE  
L45-6  
L45-7  
L45-8

**CROSSOVER**

L46



TYPE  
L46-6

**COMBINATION  
SOCKET  
TEE AND  
CROSSOVER**

LC50



TYPE  
LC50-66  
LC50-77  
LC50-88

**SINGLE SWIVEL  
SOCKET**

LF50



TYPE  
LF50-6  
LF50-7  
LF50-8

**FEMALE  
SINGLE SWIVEL  
SOCKET  
MEMBER**

# Kee Lite® Safety Components Guide

LM50



TYPE  
LM50-6  
LM50-7  
LM50-8

**MALE SINGLE  
SWIVEL  
SOCKET  
MEMBER**

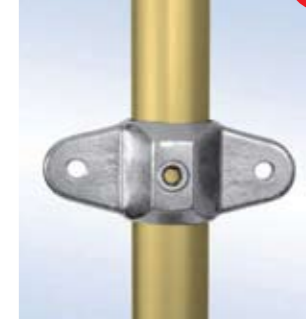
LC51



TYPE  
LC51-666  
LC51-777  
LC51-888

**DOUBLE  
SWIVEL  
SOCKET**

LM51



TYPE  
LM51-6  
LM51-7  
LM51-8

**MALE DOUBLE  
SWIVEL  
SOCKET  
MEMBER**

LC52



TYPE  
LC52-666  
LC52-777  
LC52-888

**90° CORNER  
SWIVEL  
SOCKET**

LM52



TYPE  
LM52-6  
LM52-7  
LM52-8

**90° MALE  
CORNER  
SWIVEL  
SOCKET**

LB54



TYPE  
LB54-66  
LB54-77  
LB54-88

**ADJUSTABLE  
ELBOW**

LC58



TYPE  
LC58-6  
LC58-7  
LC58-8

**SWIVEL  
FLANGE**

LM58



TYPE  
LM58

**BASE PLATE**

L61



TYPE  
L61-6  
L61-7  
L61-8

**FLANGE**

L62



TYPE  
L62-6  
L62-7  
L62-8

**STANDARD  
RAILING  
FLANGE**

L68



TYPE  
L68-6  
L68-7  
L68-8

**WALL FLANGE**

L69



TYPE  
L69-7  
L69-8

**FLANGE WITH  
TOEBOARD  
ADAPTOR**

L70



TYPE  
L70-6  
L70-7  
L70-8

**RAIL SUPPORT**

L84



TYPE  
L84-6  
L84-7  
L84-8

**PLUG**

L114



TYPE  
L114-6  
L114-7  
L114-8

**SWIVEL TEE**