



ALL PSU LTD

Electronic Power Solutions

Recent Introductions

New Products

**Preliminary Releases
For 2009**



Unit D6, Laser Quay, Culpeper Close, Medway City Estate, Rochester, Kent, ME2 4HU
Tel : 01634-725527 Fax: 01634-739111 E-mail: sales@allpsu.co.uk Web: www.allpsu.co.uk

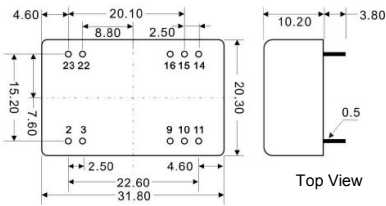
Contents:

Product Series	Type/Style	Power Range	Page
DC-DC Converters (Encapsulated)			
SB03 Series	PCB Mount (31.8 x 20.3)	3~4 Watts	1
SH05 Series	PCB Mount (31.8 x 20.3)	4~5 Watts	1
ZA05 Series	PCB Mount (31.8 x 20.3)	4~6 Watts	2
SH08 Series	PCB Mount (31.8 x 20.3)	6.6~8 Watts	2
SH10 Series	PCB Mount (31.8 x 20.3)	8~10 Watts	3
ST10 Series	PCB Mount (50.8 x 25.4)	6.6~10 Watts	3
ZB15 Series	PCB Mount (50.8 x 25.4)	10~15 Watts	4
ST15 Series	PCB Mount (50.8 x 25.4)	10~15 Watts	4
SW15 Series	PCB Mount (25.4 X 25.4)	11.5~15 Watts	5
ST20 Series	PCB Mount (50.8 x 25.4)	10~20 Watts	5
SW20 Series	PCB Mount (25.4 x 25.4)	15~20 Watts	5
ST30 Series	PCB Mount (50.8 x 25.4)	15~30 Watts	6
DC-DC Mounting Options	Screw Terminal Adapters	N/A	6
AC-DC Converters (Encapsulated)			
AOC Series	PCB Mount (Single/Dual)	4 Watts	7
AHC Series	PCB Mount (Single Output)	4~5 Watts	7
AFC Series	PCB Mount (Single Output)	8~10 Watts	7
ANC Series	PCB Mount (Single~Triple)	15 Watts	8
AKC Series	PCB Mount (Single~Triple)	15~20 Watts	8
ASC Series	PCB Mount (Single~Triple)	20~30 Watts	9
AJC series	PCB Mount (Single~Triple)	26~40 Watts	9
AEC Series	PCB Mount (Single Output)	50~60 Watts	10
AC-DC Converters (Open Frame/Enclosed/Desktop/Din Rail)			
SBU31 Series	Open Frame (Single Output)	20~30 Watts	10
AQS75 Series	Mechanical Options	60~75 Watts	11
AQF120 Series	Mechanical Options	120 Watts	12
AQF150 Series	Mechanical Options	95~150 Watts	13
SUU/SBU150 Series	Open Frame / U-Channel	144~150 Watts	14
AQF240 Series	U-Channel / Enclosed	200~240 Watts	15
SPU16/SPU25 Series	Desktop	12~25 Watts	16
SPU63 Series	Desktop	57~63 Watts	17
FSP Series	High Power Desktop	96~180 Watts	17
MDR100 Series	Din Rail	90~100 Watts	18
SDR240 Series	Din Rail	240 Watts	18
SDR480 Series	Din Rail	480 Watts	19
LPV/PLN/CLG Series	High IP Rated/ LED Lighting	20~240 Watts	19
Lead Acid Batteries			
HSC Series	5 Yr Design Life (AGM /VRLA)	4.5~44 Ah	20

The following pages show recent introductions into the ALL PSU Ltd product range. Products shown as “Preliminary” are due for release in Q1/Q2 2009. For full specifications and details, contact ALL PSU Sales

3-4 Watt - SB03 Series

4:1 Input Range
31.8 x 20.3 mm Footprint
Regulated Output
2 Year Warranty



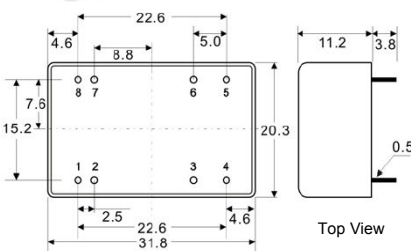
Pin	Single	Dual
2,3	-V In	-V In
9	N/C	Common
10	N/C	N/C
11	N/C	-V Out
14	+V Out	+V Out
15	N/C	N/C
16	+V Out	Common
22,23	+V In	+V In

Model	Input (VDC)	Output (VDC)	Output Current	Efficiency
SB03-24-3.3S	9~36	3.3	900 mA	70%
SB03-24-5S	9~36	5.0	660 mA	71%
SB03-24-12S	9~36	12.0	330 mA	80%
SB03-24-15S	9~36	15.0	267 mA	77%
SB03-24-24S	9~36	24.0	166 mA	78%
SB03-48-3.3S	18~75	3.3	900 mA	71%
SB03-48-5S	18~75	5.0	660 mA	73%
SB03-48-12S	18~75	12.0	330 mA	80%
SB03-48-15S	18~75	15.0	267 mA	79%
SB03-48-24S	18~75	24.0	166 mA	78%

Dual Output Models				
Model	Input (VDC)	Output (VDC)	Output Current	Efficiency
SB03-24-5D	9~36	+/-5.0	+/-300 mA	73%
SB03-24-12D	9~36	+/-12.0	+/-166 mA	77%
SB03-24-15D	9~36	+/-15.0	+/-133 mA	75%
SB03-48-5D	18~75	+/-5.0	+/-300 mA	75%
SB03-48-12D	18~75	+/-12.0	+/-166 mA	79%
SB03-48-15D	18~75	+/-15.0	+/-133 mA	78%

4-6 Watt - SH05 Series

4:1 Input Range
31.8 x 20.3 mm Footprint
Regulated Output
2 Year Warranty



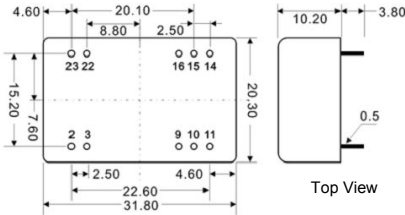
Pin	Single	Dual
1	-V In	-V In
2	-V In	-V In
3	No Pin	Common
4	N/C	-V Out
5	+V Out	+V Out
6	-V Out	Common
7	+V In	+V In
8	+V In	+V In

Model	Input (VDC)	Output (VDC)	Output Current	Efficiency
SH05-24F-3.3S	9~36	3.3	1200 mA	78%
SH05-24F-5S	9~36	5.0	1000 mA	81%
SH05-24F-12S	9~36	12.0	500 mA	84%
SH05-24F-15S	9~36	15.0	400 mA	82%
SH05-24F-24S	9~36	24.0	250 mA	82%
SH05-48F-3.3S	18~75	3.3	1200 mA	78%
SH05-48F-5S	18~75	5.0	1000 mA	81%
SH05-48F-12S	18~75	12.0	500 mA	84%
SH05-48F-15S	18~75	15.0	400 mA	83%
SH05-48F-24S	18~75	24.0	250 mA	83%

Dual Output Models				
Model	Input (VDC)	Output (VDC)	Output Current	Efficiency
SH05-24F-5D	9~36	+/-5.0	+/-500 mA	81%
SH05-24F-12D	9~36	+/-12.0	+/-250 mA	83%
SH05-24F-15D	9~36	+/-15.0	+/-200 mA	83%
SH05-48F-5D	18~75	+/-5.0	+/-500 mA	81%
SH05-48F-12D	18~75	+/-12.0	+/-250 mA	84%
SH05-48F-15D	18~75	+/-15.0	+/-200 mA	83%

4-6 Watt - ZA05 Series

4:1 Input Range
Low Cost
31.8 x 20.3 mm Footprint
Regulated Output
2 Year Warranty



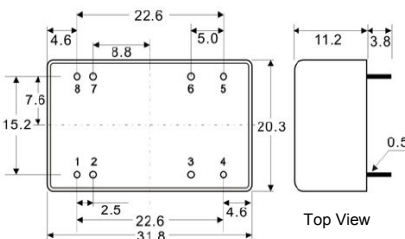
Pin	Single	Dual
2	-V In	-V In
3	-V In	-V In
9	N/C	Common
10	N/C	N/C
11	N/C	-V Out
14	+V Out	+V Out
15	N/C	N/C
16	-V Out	Common
22	+V In	+V In
23	+V In	+V In

Model	Input (VDC)	Output (VDC)	Output Current	Efficiency
ZA05-24-3.3S	9~36	3.3	1200 mA	71%
ZA05-24-5S	9~36	5.0	1600 mA	75%
ZA05-24-12S	9~36	12.0	500 mA	82%
ZA05-24-15S	9~36	15.0	400 mA	79%
ZA05-24-24S	9~36	24.0	250 mA	81%
ZA05-48-3.3S	18~75	3.3	1200 mA	71%
ZA05-48-5S	18~75	5.0	1600 mA	75%
ZA05-48-12S	18~75	12.0	500 mA	82%
ZA05-48-15S	18~75	15.0	400 mA	82%
ZA05-48-24S	18~75	24.0	250 mA	81%

Dual Output Models				
ZA05-24-5D	9~36	+/-5.0	+/-500 mA	75%
ZA05-24-12D	9~36	+/-12.0	+/-250 mA	78%
ZA05-24-15D	9~36	+/-15.0	+/-200 mA	75%
ZA05-48-5D	18~75	+/-5.0	+/-500 mA	77%
ZA05-48-12D	18~75	+/-12.0	+/-250 mA	83%
ZA05-48-15D	18~75	+/-15.0	+/-200 mA	81%

8 Watt - SH08 Series

4:1 Input Range
31.8 x 20.3 mm Footprint
Regulated Output
2 Year Warranty



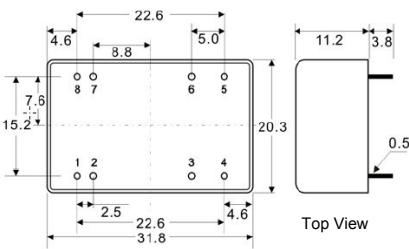
Pin	Single	Dual
1	-V In	-V In
2	-V In	-V In
3	No Pin	Common
4	N/C	-V Out
5	+V Out	+V Out
6	-V Out	Common
7	+V In	+V In
8	+V In	+V In

Model	Input (VDC)	Output (VDC)	Output Current	Efficiency
SH08-24F-3.3S	9~36	3.3	2200 mA	82%
SH08-24F-5S	9~36	5.0	1600 mA	84%
SH08-24F-12S	9~36	12.0	666 mA	85%
SH08-24F-15S	9~36	15.0	533 mA	85%
SH08-24F-24S	9~36	24.0	333 mA	85%
SH08-48F-3.3S	18~75	3.3	2200 mA	82%
SH08-48F-5S	18~75	5.0	1600 mA	84%
SH08-48F-12S	18~75	12.0	666 mA	85%
SH08-48F-15S	18~75	15.0	533 mA	85%
SH08-48F-24S	18~75	24.0	333 mA	85%

Dual Output Models				
SH08-24F-5D	9~36	+/-5.0	+/-800 mA	82%
SH08-24F-12D	9~36	+/-12.0	+/-333 mA	84%
SH08-24F-15D	9~36	+/-15.0	+/-267 mA	84%
SH08-48F-5D	18~75	+/-5.0	+/-800 mA	82%
SH08-48F-12D	18~75	+/-12.0	+/-333 mA	85%
SH08-48F-15D	18~75	+/-15.0	+/-267 mA	84%

10 Watt - SH10 Series

2:1 Input Range
Ultra Compact Size
(31.8 x 20.3 Footprint)
Regulated Output
2 Year Warranty



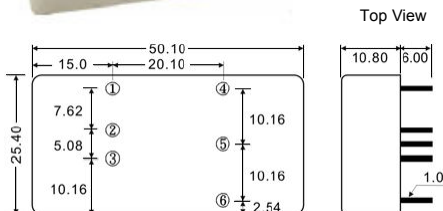
Pin	Single	Dual
1	-V In	-V In
2	-V In	-V In
3	No Pin	Common
4	NC	-V Out
5	+V Out	+V Out
6	-V Out	Common
7	+V In	+V In
8	+V In	+V In

Model	Input (VDC)	Output (VDC)	Output Current	Efficiency
SH10-12-3.3S	9~18	3.3	2500 mA	82%
SH10-12-5S	9~18	5.0	2000 mA	83%
SH10-12-12S	9~18	12.0	830 mA	86%
SH10-12-15S	9~18	15.0	670 mA	86%
SH10-12-24S	9~18	24.0	416 mA	86%
SH10-24-3.3S	18~36	3.3	2500 mA	82%
SH10-24-5S	18~36	5.0	2000 mA	85%
SH10-24-12S	18~36	12.0	830 mA	86%
SH10-24-15S	18~36	15.0	670 mA	86%
SH10-24-24S	18~36	24.0	416 mA	86%
SH10-48-3.3S	36~75	3.3	2500 mA	82%
SH10-48-5S	36~75	5.0	2000 mA	85%
SH10-48-12S	36~75	12.0	830 mA	86%
SH10-48-15S	36~75	15.0	670 mA	86%
SH10-48-24S	36~75	24.0	416 mA	86%

Dual Output Models				
SH10-12-5D	9~18	+/-5.0	+/-1000 mA	83%
SH10-12-12D	9~18	+/-12.0	+/-416 mA	86%
SH10-12-15D	9~18	+/-15.0	+/-333 mA	86%
SH10-24-5D	18~36	+/-5.0	+/-1000 mA	83%
SH10-24-12D	18~36	+/-12.0	+/-416 mA	87%
SH10-24-15D	18~36	+/-15.0	+/-333 mA	86%
SH10-48-5D	36~75	+/-5.0	+/-1000 mA	82%
SH10-48-12D	36~75	+/-12.0	+/-416 mA	87%
SH10-48-15D	36~75	+/-15.0	+/-333 mA	86%

10 Watt - ST10 Series

2:1 & 4:1 Input Ranges
Industry Standard Pinout
Regulated Output
2" x 1" Footprint
Optional Remote On/Off Pin
2 Year Warranty



Pin	Single	Dual
1	Control	Control
2	-V In	-V In
3	+V In	+V In
4	-V Out	-V Out
5	No Pin	Common
6	+V Out	+V Out

2:1 Models

Model (9-18V Input)	Model (18-36V Input)	Model (36-75V Input)	Output VDC	Output Current	Efficiency
ST10-12-3.3S	ST10-24-3.3S	ST10-48-3.3S	3.3 V	2000 mA	74-76%
ST10-12-5S	ST10-24-5S	ST10-48-5S	5.0V	2000 mA	80-81%
ST10-12-12S	ST10-24-12S	ST10-48-12S	12.0 V	830 mA	81-84%
ST10-12-15S	ST10-24-15S	ST10-48-15S	15.0 V	670 mA	82-85%
ST10-12-24S	ST10-24-24S	ST10-48-24S	24.0 V	420 mA	81-84%

4:1 Models

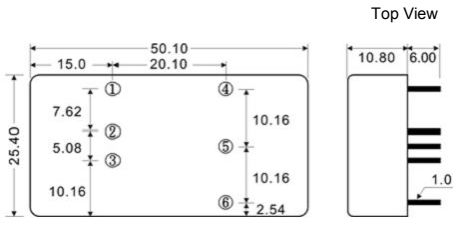
Model (10-40V Input)	Model (18-75V Input)	Output VDC	Output Current	Efficiency
ST10-24F-3.3S	ST10-48F-3.3S	3.3 V	2000 mA	66-67%
ST10-24F-5S	ST10-48F-5S	5.0 V	2000 mA	75%
ST10-24F-12S	ST10-48F-12S	12.0 V	830 mA	75-77%
ST10-24F-15S	ST10-48F-15S	15.0 V	670 mA	75%
ST10-24F-5D	ST10-48F-5D	+/-5.0 V	+/- 1000 mA	75%
ST10-24F-12D	ST10-48F-12D	+/- 12.0 V	+/- 415 mA	75-77%
ST10-24F-15D	ST10-48F-15D	+/- 15.0 V	+/- 333 mA	75-77%

15 Watt - ZB15 Series

2:1 Input Range
Low Cost
Industry Standard Pinout
Regulated Output
2" x 1" Footprint
Remote On/Off Pin
2 Year Warranty



Model (9-18V Input)	Model (18-36V Input)	Model (36-75V Input)	Output VDC	Output Current	Efficiency
ZB15-12-3.3S	ZB15-24-3.3S	ZB15-48-3.3S	3.3 V	3000 mA	77-79%
ZB15-12-5S	ZB15-24-5S	ZB15-48-5S	5.0 V	3000 mA	80-83%
ZB15-12-12S	ZB15-24-12S	ZB15-48-12S	12.0 V	1250 mA	82-86%
ZB15-12-15S	ZB15-24-15S	ZB15-48-15S	15.0 V	1000 mA	84-87%
ZB15-12-24S	ZB15-24-24S	ZB15-48-24S	24.0 V	625 mA	84-87%
Dual Output Models					
ZB15-12-5D	ZB15-24-5D	ZB15-48-5D	+/-5.0 V	+/-1500 mA	78%
ZB15-12-12D	ZB15-24-12D	ZB15-48-12D	+/-12.0 V	+/-625 mA	79%
ZB15-12-15D	ZB15-24-15D	ZB15-48-15D	+/-15.0 V	+/-500 mA	79%



Pin	Single	Dual
1	Control	Control
2	-V In	-V In
3	+V In	+V In
4	-V Out	-V Out
5	No Pin	Common
6	+V Out	+V Out

15 Watt - ST15 Series

2:1 & 4:1 Input Ranges
Industry Standard Pinout
Regulated Output
2" x 1" Footprint
Optional Remote On/Off Pin
2 Year Warranty

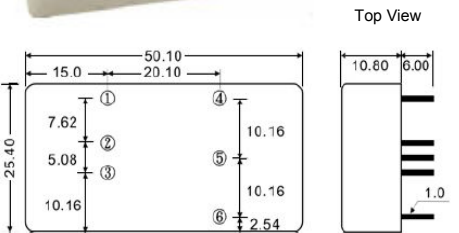


2:1 Models

Model (9-18V Input)	Model (18-36V Input)	Model (36-75V Input)	Output VDC	Output Current	Efficiency
ST15-12-3.3S	ST15-24-3.3S	ST15-48-3.3S	3.3 V	3000 mA	77-79%
ST15-12-5S	ST15-24-5S	ST15-48-5S	5.0 V	3000 mA	80-83%
ST15-12-12S	ST15-24-12S	ST15-48-12S	12.0 V	1250 mA	82-86%
ST15-12-15S	ST15-24-15S	ST15-48-15S	15.0 V	1000 mA	84-87%
ST15-12-24S	ST15-24-24S	ST15-48-24S	24.0 V	625 mA	84-87%

4:1 Models

Model (10-40V Input)	Model (18-75V Input)	Output VDC	Output Current	Efficiency
ST15-24F-3.3S	ST15-48F-3.3S	3.3 V	3000 mA	70-71%
ST15-24F-5S	ST15-48F-5S	5.0V	3000 mA	76-78%
ST15-24F-12S	ST15-48F-12S	12.0 V	1250 mA	77-79%
ST15-24F-15S	ST15-48F-15S	15.0 V	1000 mA	75-79%
ST15-24F-5D	ST15-48F-5D	+/-5.0 V	+/- 1500 mA	78%
ST15-24F-12D	ST15-48F-12D	+/- 12.0 V	+/- 625 mA	79%
ST15-24F-15D	ST15-48F-15D	+/- 15.0 V	+/- 500 mA	79%



Pin	Single	Dual
1	Control	Control
2	-V In	-V In
3	+V In	+V In
4	-V Out	-V Out
5	No Pin	Common
6	+V Out	+V Out

Also Available:

SB1R5 - 1.5 Watt series. Input ranges of 5/12/24/48V (+/-10%). 31.8 x 20.3 mm footprint

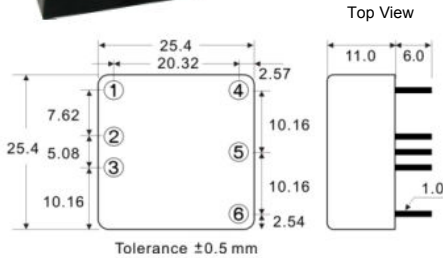
SB05 - 5 Watt series. Input ranges of 24/48V (4:1 ratio). 31.8 x 20.3 mm footprint

SB08 - 8 Watt series. Input ranges of 12/24/48 (2:1 & 4:1 ratios). 31.8 x 20.3 mm footprint

SB series units are generally lower efficiency than the new SH series

15 Watt - SW15 Series

2:1 Input Range
Ultra Compact 1" x 1" Footprint
Optional Remote On/Off Pin
2 Year Warranty



Pin	Single
1	Control
2	-V In
3	+V In
4	-V Out
5	No Pin
6	+V Out

Model	Input (VDC)	Output (VDC)	Output Current	Efficiency
SW15-12-3.3S	9~18	3.3	3500 mA	85%
SW15-12-5S	9~18	5.0	3000 mA	89%
SW15-12-12S	9~18	12.0	1250 mA	88%
SW15-12-15S	9~18	15.0	1000 mA	88%
SW15-24-3.3S	18~36	3.3	3500 mA	86%
SW15-24-5S	18~36	5.0	3000 mA	89%
SW15-24-12S	18~36	12.0	1250 mA	88%
SW15-24-15S	18~36	15.0	1000 mA	89%
SW15-48-3.3S	36~75	3.3	3500 mA	84%
SW15-48-5S	36~75	5.0	3000 mA	87%
SW15-48-12S	36~75	12.0	1250 mA	87%
SW15-48-15S	36~75	15.0	1000 mA	88%

Preliminary

20 Watt - ST20 Series

2:1 Input Range
Optional Remote On/Off Pin
2" x 1" Footprint
2 Year Warranty

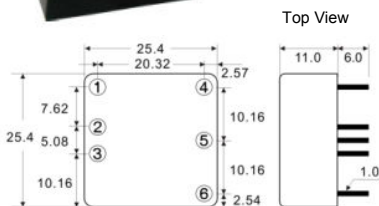


Pinout as per SW15 above

Model	Input (VDC)	Output (VDC)	Output Current	Efficiency
ST20-24-2.5S	18~36	2.5	4000 mA	83%
ST20-24-3.3S	18~36	3.3	4000 mA	86%
ST20-24-5S	18~36	5.0	4000 mA	87%
ST20-48-2.5S	36~75	2.5	4000 mA	83%
ST20-48-3.3S	36~75	3.3	4000 mA	86%
ST20-48-5S	36~75	5.0	4000 mA	87%

20 Watt - SW20 Series

2:1 Input Range
Ultra Compact 1" x 1" Footprint
Optional Remote On/Off Pin
2 Year Warranty

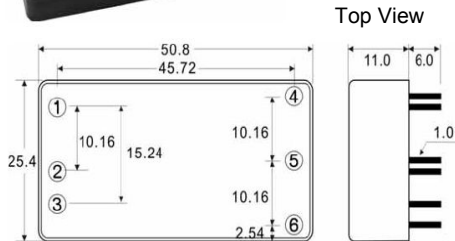


Pin	Single
1	Control
2	-V In
3	+V In
4	-V Out
5	No Pin
6	+V Out

Model	Input (VDC)	Output (VDC)	Output Current	Efficiency
SW20-12-3.3S	9~18	3.3	4500 mA	85%
SW20-12-5S	9~18	5.0	4000 mA	89%
SW20-12-12S	9~18	12.0	1660 mA	88%
SW20-12-15S	9~18	15.0	1330 mA	88%
SW20-24-3.3S	18~36	3.3	4500 mA	86%
SW20-24-5S	18~36	5.0	4000 mA	89%
SW20-24-12S	18~36	12.0	1660 mA	88%
SW20-24-15S	18~36	15.0	1330 mA	89%
SW20-48-3.3S	36~75	3.3	4500 mA	84%
SW20-48-5S	36~75	5.0	4000 mA	88%
SW20-48-12S	36~75	12.0	1660 mA	88%
SW20-48-15S	36~75	15.0	1330 mA	88%

Preliminary

30 Watt - ST30 Series
2:1 Input Range
Ultra Compact 2" x 1" Footprint
Optional Remote On/Off Pin
2 Year Warranty



Pin	Single
1	Control
2	-V In
3	+V In
4	Trim
5	-V Out
6	+V Out

Model	Input (VDC)	Output (VDC)	Output Current	Efficiency
ST30-24-2.5S	18~36	2.5	6000 mA	84%
ST30-24-3.3S	18~36	3.3	6000 mA	86%
ST30-24-5S	18~36	5.0	6000 mA	86%
ST30-24-12S	18~36	12.0	2500 mA	88%
ST30-24-15S	18~36	15.0	2000 mA	88%
ST30-24-24S	18~36	24.0	1250 mA	88%
ST30-48.2.5S	36~75	2.5	6000 mA	84%
ST30-48-3.3S	36~75	3.3	6000 mA	86%
ST30-48-5S	36~75	5.0	6000 mA	86%
ST30-48-12S	36~75	12.0	2500 mA	88%
ST30-48-15S	36~75	15.0	2000 mA	88%
ST30-48-24S	36~75	24.0	1250 mA	88%

Chassis Mounting Options -

Many of the previous DC-DC Converters are available with chassis or Din Rail mounting options (Add suffix as appropriate) - A2, A5, & DN

N.B Not all converters are available with all options - contact ALL PSU Sales

A2 Version

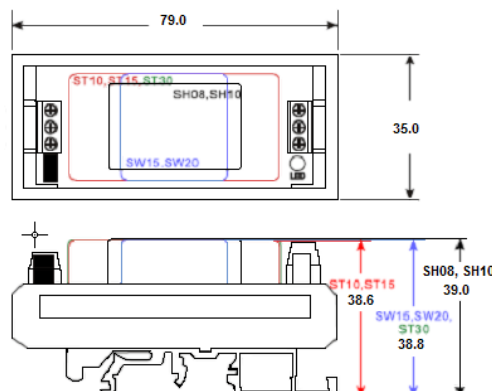


A5 Version



“DN” option for series:

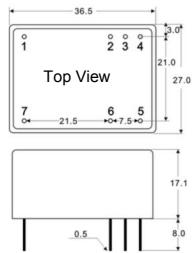
SB03, ZA05,
SH08, SH10,
ST10, ST15,
SW15, ZB15,
SW20, ST30



AC – DC Converters (Encapsulated) ▶

4 Watt - AOC Series

PCB Mount AC-DC Module
Universal Input (90-264 VAC)
Ultra Compact Design
Single & Dual Outputs
Fully Encapsulated Plastic Case

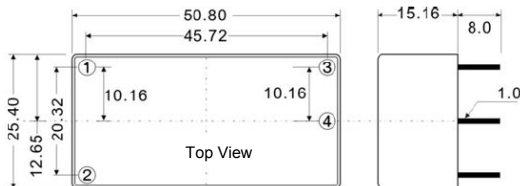


Pin	Single	Dual
1	N/C	N/C
2	+V Out	+V1 Out
3	Gnd.	Common
4	N/C	+V2 Out
5	AC Live	AC Live
6	AC Neutral	AC Neutral
7	N/C	N/C

Model	Output 1	Output 2	Efficiency
AOC-3.3S	3.3 V / 1.2 A		70%
AOC-5S	5.0 V / 0.8 A		72%
AOC-8S	8.0 V / 0.5 A		76%
AOC-9S	9.0 V / 0.44 A		76%
AOC-12S	12.0 V / 0.33 A		76%
AOC-14S	14.0 V / 0.29 A		76%
AOC-15S	15.0 V / 0.27 A		76%
AOC-24S	24.0 V / 0.17 A		77%
AOC-5S3.3S	5.0 V / 0.6 A	3.3 V / 0.15 A	73%
AOC-8S5S	8.0 V / 0.375 A	5.0 V / 0.12 A	76%
AOC-12S5S	12.0 V / 0.25 A	5.0 V / 0.12 A	77%

5 Watt - AHC Series

PCB Mount AC-DC Module
Universal Input (90-264 VAC)
Ultra Compact Design
Single Output
Options for Din Rail & Screw Terminal Mounting



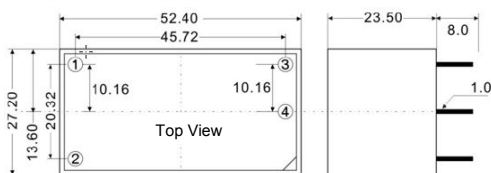
Model	Output (VDC)	Output Current	Efficiency
AHC-3.3S	3.3	1250 mA	64%
AHC-5S	5.0	1000 mA	67%
AHC-12S	12.0	420 mA	73%
AHC-15S	15.0	333 mA	73%
AHC-24S	24.0	230 mA	75%

Pin	Function
1	AC Neutral
2	AC Live
3	+DC Out
4	-DC Out

Further 5 Watt units are available in an additional range, the **APC** range. The **APC** footprint is larger at 55 x 45 mm but dual output versions are available in this range to provide:
APC-5D - +/-5V @ +/-500 mA
APC-12D - +/-12V @ +/- 200 mA
APC-15D - +/-15V @ +/-160 mA
 Contact ALL PSU sales for details

10 Watt - AFC Series

PCB Mount AC-DC Module
Universal Input (90-264 VAC)
Ultra Compact Design
Single Output
Options for Din Rail & Screw Terminal Mounting



Model	Output (VDC)	Output Current	Efficiency
AFC-3.3S	3.3	2500 mA	70%
AFC-5S	5.0	2000 mA	72%
AFC-12S	12.0	833 mA	76%
AFC-15S	15.0	667 mA	75%
AFC-24S	24.0	417 mA	72%

Pin	Function
1	AC Neutral
2	AC Live
3	+DC Out
4	-DC Out

Further 10 Watt units are available in an additional range, the **ATC** range. The **ATC** footprint is larger at 64 x 45 mm but dual output versions are available in this range to provide:
ATC-5D - +/-5V @ +/-800 mA
ATC-12D - +/-12V @ +/-380 mA
ATC-15D - +/-15V @ +/-300 mA
 Contact ALL PSU sales for details

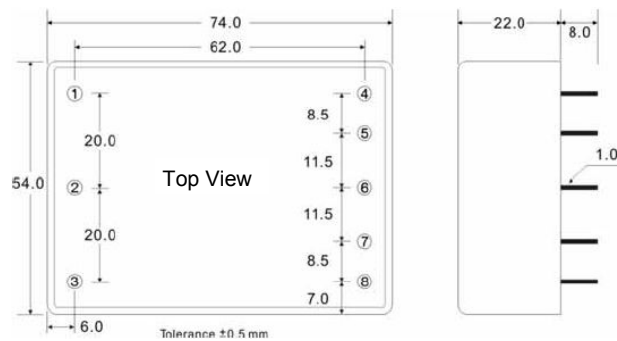
15 Watt - ANC Series

PCB Mount AC-DC Module
Universal Input (90-264 VAC)
Compact Design
Single, Dual & Triple Outputs
Options for Din Rail & Screw Terminal Mounting



Model	Output 1	Output 2	Output 3	Efficiency
ANC-5S	5.0 V / 3.0 A			70%
ANC-12S	12.0 V / 1.25 A			73%
ANC-15S	15.0 V / 1.0 A			73%
ANC-24S	24.0 V / 0.63 A			77%
ANC-5D	5.0 V / 1.5 A	-5.0 V 1.5 A		71%
ANC-12D	12.0 V / 0.65 A	-12.0 V / 0.65 A		76%
ANC-15D	15.0 V / 0.5 A	-15.0 V / 0.5 A		65%
ANC-5S12D	5.0 V / 2.0 A	12.0 V / 0.2 A	-12.0 V / 0.2 A	68%
ANC-5S15D	5.0 V / 2.0 A	15 V / 0.15 A	-15.0 V / 0.15 A	68%

Pin	Single	Dual	Triple
1	Gnd.	Gnd.	Gnd.
2	AC Neutral	AC Neutral	AC Neutral
3	AC Live	AC Live	AC Live
4	No Pin	No Pin	-DC Out
5	-DC Out	-DC Out	Common
6	No Pin	Common	+DC Out
7	+DC Out	+DC Out	+5V Rtn.
8	No Pin	No Pin	+5V Out



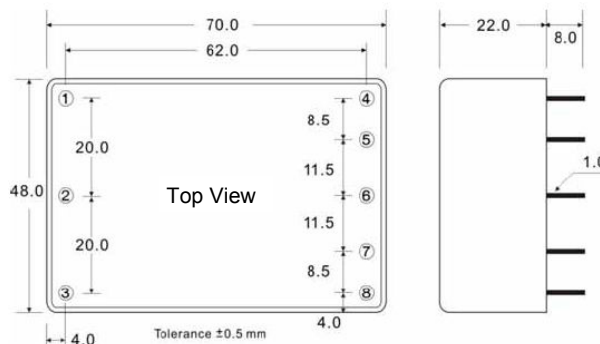
20 Watt - AKC Series

PCB Mount AC-DC Module
Universal Input (90-264 VAC)
Compact Design
Single, Dual & Triple Outputs
Option for Screw Terminal Mounting



Model	Output 1	Output 2	Output 3	Efficiency
AKC-3.3S	3.3 V / 4.5 A			75%
AKC-5S	5.0 V / 4.0 A			79%
AKC-7.35S	7.35 V / 2.73 A			82%
AKC-9S	9.0 V / 2.23 A			82%
AKC-12S	12.0 V / 1.67 A			83%
AKC-15S	15.0 V / 1.34 A			83%
AKC-24S	24.0 V / 0.84 A			84%
AKC-5D	+5.0 V / 2.0 A	-5.0 V / 2.0 A		79%
AKC-12D	+12.0 V / 0.83 A	-12.0 V / 0.83 A		82%
AKC-15D	+15.0 V / 0.67 A	-15.0 V / 0.67 A		82%
AKC-5S12D	+5.0 V / 2.8 A	+12.0 V / 0.25 A	-12.0 V / 0.25 A	79%
AKC-5S15D	+5.0 V / 2.8 A	+15 V / 0.2 A	-15.0 V / 0.2 A	79%

Pin	Single	Dual	Triple
1	Gnd.	Gnd.	Gnd.
2	AC Neutral	AC Neutral	AC Neutral
3	AC Live	AC Live	AC Live
4	No Pin	No Pin	-DC Out
5	-DC Out	-DC Out	Common
6	No Pin	Common	+DC Out
7	+DC Out	+DC Out	+5V Rtn.
8	No Pin	No Pin	+5V Out

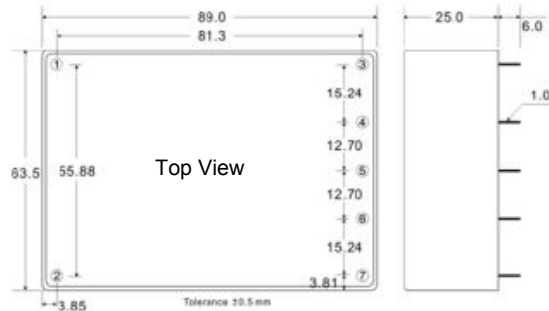


30 Watt - ASC Series
PCB Mount AC-DC Module
Universal Input (90-264 VAC)
Compact Design
Single, Dual & Triple Outputs
Option for Screw Terminal Mounting
Option for -40 deg C Starting



Model	Output 1	Output 2	Output 3	Efficiency
ASC-3.3S	3.3 V / 6.0 A			70%
ASC-5S	5.0 V / 6.0 A			75%
ASC-12S	12.0 V / 2.5 A			80%
ASC-15S	15.0 V / 2.0 A			80%
ASC-24S	24.0 V / 1.25 A			77%
ASC-5D	+5.0 V / 3.0 A	-5.0 V / 3.0 A		73%
ASC-12D	+12.0 V / 1.25 A	-12.0 V / 1.25 A		78%
ASC-15D	+15.0 V / 1.0 A	-15.0 V / 1.0 A		76%
ASC-5S12S	+5.0 V / 3.0 A	+12.0 V / 1.25 A		77%
ASC-5S12D	+5.0 V / 3.0 A	+12.0 V / 0.63 A	-12.0 V / 0.63 A	77%
ASC-5S15D	+5.0 V / 3.0 A	+15 V / 0.5 A	-15.0 V / 0.5 A	76%

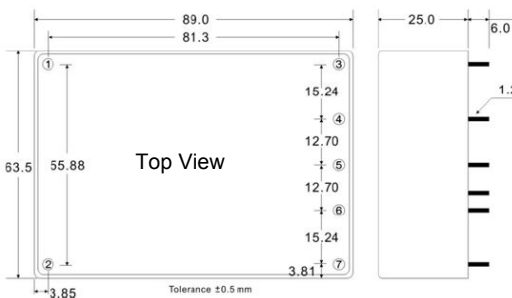
Pin	Single	Dual	5S12S	Triple
1	AC Neutral	AC Neutral	AC Neutral	AC Neutral
2	AC Live	AC Live	AC Live	AC Live
3	+V Out	+V Out	+12V Out	+V Out
4	No Pin	No Pin	+5V Out	+5V Out
5	-DC Out	Common	+12V Rtn	Common
6	No Pin	No Pin	+5V Rtn	+5V Rtn
7	N/C	-DC Out	No Pin	-DC Out



40 Watt - AJC Series
PCB Mount AC-DC Module
Universal Input (90-264 VAC)
Compact Design
Single, Dual & Triple Outputs
Option for Screw Terminal Mounting



Model	Output 1	Output 2	Output 3	Efficiency
AJC-3.3S	3.3 V / 8.0 A			76%
AJC-5S	5.0 V / 8.0 A			80%
AJC-9S	9.0 V / 4.44 A			82%
AJC-12S	12.0 V / 3.33 A			83%
AJC-15S	15.0 V / 2.67 A			83%
AJC-24S	24.0 V / 1.67 A			83%
AJC-5D	+5.0 V / 4.0 A	-5.0 V / 4.0 A		80%
AJC-12D	+12.0 V / 1.67 A	-12.0 V / 1.67 A		83%
AJC-15D	+15.0 V / 1.33 A	-15.0 V / 1.33 A		83%
AJC-5S12S	+5.0 V / 5.0 A	+12.0 V / 1.25 A		80%
AJC-5S24S	+5.0 V / 5.0 A	+24.0 V / 0.625 A		80%
AJC-5S12D	+5.0 V / 5.0 A	+12.0 V / 0.6 A	-12.0 V / 0.6 A	80%
AJC-5S15D	+5.0 V / 5.0 A	+15 V / 0.5 A	-15.0 V / 0.5 A	80%



Pin	Single	Dual	5S12S	5S24S	Triple
1	AC Live	AC Live	AC Live	AC Live	AC Live
2	AC Neutral	AC Neutral	AC Neutral	AC Neutral	AC Neutral
3	+DC Out	+DC Out	+12V Out	+24V Out	+DC Out
4	No Pin	No Pin	+5V Out	+5V Out	+5V Out
5	-DC Out	Common	+12V Rtn	+24V Rtn	Common
6	No Pin	No Pin	+5V Rtn	+5V Rtn	+5V Rtn
7	N/C	-DC Out	No Pin	No Pin	-DC Out

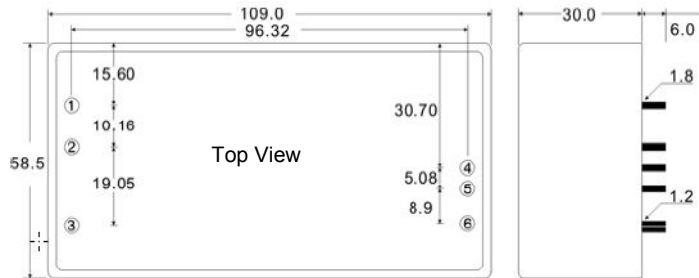
60 Watt - AEC Series

PCB Mount AC-DC Module
Universal Input (85-264 VAC)
Ultra Compact Design
Single Output
2 Year Warranty



Model	Output	Efficiency
AEC60-5S	5.0 V / 10.0 A	82%
AEC60-9S	9.0 V / 6.67 A	84%
AEC60-12S	12.0 V / 5.0 A	86%
AEC60-15S	15.0 V / 4.0 A	86%
AEC60-24S	24.0 V / 2.5 A	86%
AEC60-48S	48.0 V / 1.25 A	86%

Pin	Function
1	AC Neutral
2	AC Live
3	Gnd.
4	+DC Out
5	-DC Out
6	Trim



Also Available:

MTC - 15W medically approved to IEC/UL60601-1. Same general specification as the ATC range (Pg. 7)

MSC - 40W medically approved to IEC/UL60601-1. Same mechanical specification as the ASC range

AC – DC Converters (Open Frame/Enclosed)

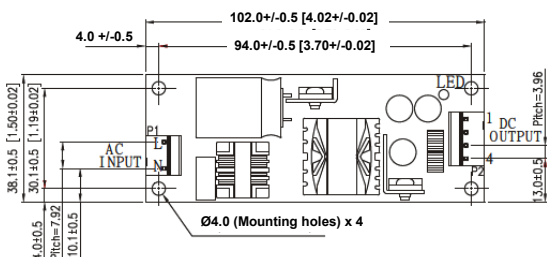
30 Watt - SBU31 Series

Open Frame
Universal Input (90-264 VAC)
Ultra Compact Size (102 x 38 mm)
Single Output
Up to 88% Efficiency
2 Year Warranty



Model	Output (VDC)	Output Current	Max Power
SBU31-102	5.0~6.0 V	4.0~3.33 A	20 W
SBU31-103	6.0~8.0 V	3.83~2.87 A	23 W
SBU31-104	8.0~11.0 V	3.38~2.45 A	27 W
SBU31-105	11.0~13.0 V	2.73~2.3 A	30 W
SBU31-106	13.0~16.0 V	2.3~1.88 A	30 W
SBU31-107	16.0~21.0 V	1.88~1.43 A	30 W
SBU31-108	21.0~27.0 V	1.43~1.11 A	30 W
SBU31-109	27.0~33.0 V	1.11~0.91 A	30 W
SBU31-110	33.0~40.0 V	0.91~0.75 A	30 W
SBU31-111	40.0~48.0 V	0.75~0.62 A	30 W

N.B. The voltage range above is not customer settable but shows the factory settable range available



Pin	Input Connector
1	AC Live
2	AC Neutral
Pin	Output Connector
1	+V Out
2	+V Out
3	-V Out
4	-V Out

75 Watt - AQS Series
Available in Open Frame, U-channel
And Enclosed Versions
Universal Input (90-264 VAC)
Compact Size
Single Output
2 Year Warranty



AQS750-xxS
Open Frame Version



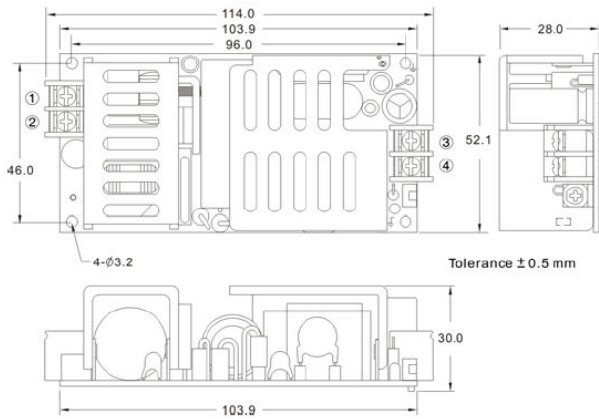
AQS75U-xxS
U-Channel Version



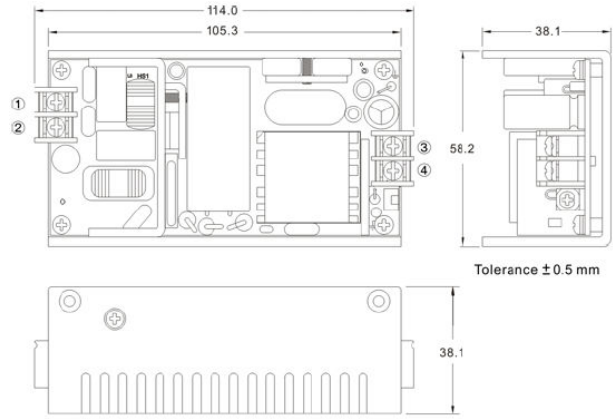
AQS75E-xxS
Enclosed Version

Model	Output (VDC)	Output Current	Efficiency
AQS750-5S	5.0 V	12.0 A	73%
AQS750-12S	12.0 V	6.25 A	80%
AQS750-15S	15.0 V	5.0 A	80%
AQS750-24S	24.0 V	3.13 A	80%
AQS75U-5S	5.0 V	12.0 A	73%
AQS75U-12S	12.0 V	6.25 A	80%
AQS75U-15S	15.0 V	5.0 A	80%
AQS75U-24S	24.0 V	3.13 A	80%
AQS75E-5S	5.0 V	12.0 A	73%
AQS75E-12S	12.0 V	6.25 A	80%
AQS75E-15S	15.0 V	5.0 A	80%
AQS75E-24S	24.0 V	3.13 A	80%

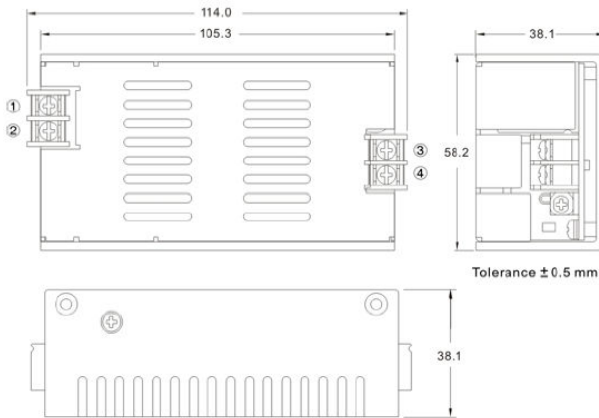
AQS750-xxS
Open Frame Version



AQS75U-xxS
U-Channel Version



AQS75E-xxS
Enclosed Version



Pin	Function
1	AC Neutral
2	AC Live
3	+DC Out
4	-DC Out

120 Watt - AQF Series
Available in Open Frame, U-Channel
And Enclosed Versions
Universal Input (90-264 VAC)
Compact Size
Single Output
Convection Cooled
2 Year Warranty

Model	Output (VDC)	Output Current	Efficiency
AQF120O-12S	12.0 V	10.0 A	90%
AQF120O-24S	24.0 V	5.0 A	91%
AQF120O-48S	48.0 V	2.5 A	92%
AQF120U-12S	12.0 V	10.0 A	90%
AQF120U-24S	24.0 V	5.0 A	91%
AQF120U-48S	48.0 V	2.5 A	92%
AQF120E-12S	12.0 V	10.0 A	90%
AQF120E-24S	24.0 V	5.0 A	91%
AQF120E-48S	48.0 V	2.5 A	92%



AQF120O-xxS
Open Frame Version

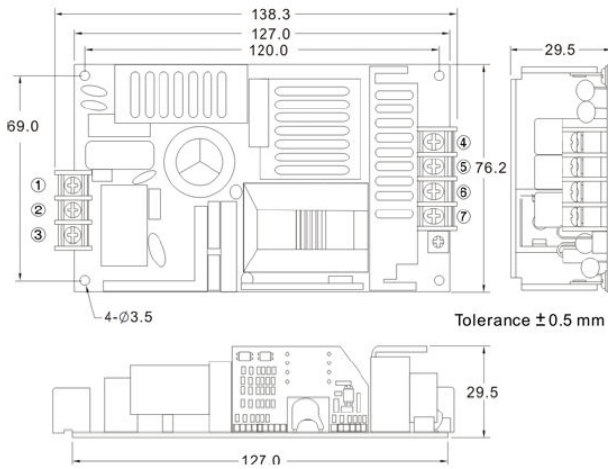


AQF120U-xxS
U-Channel Version

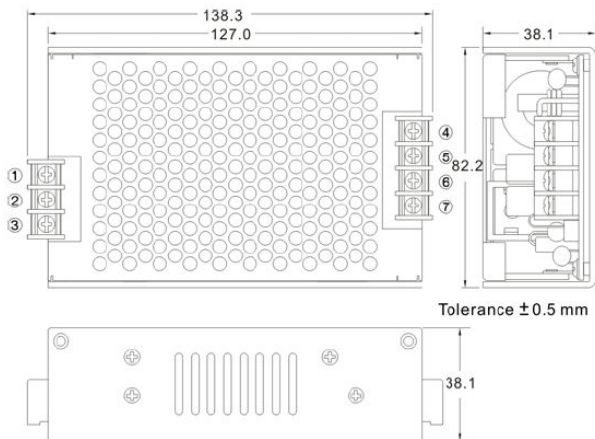
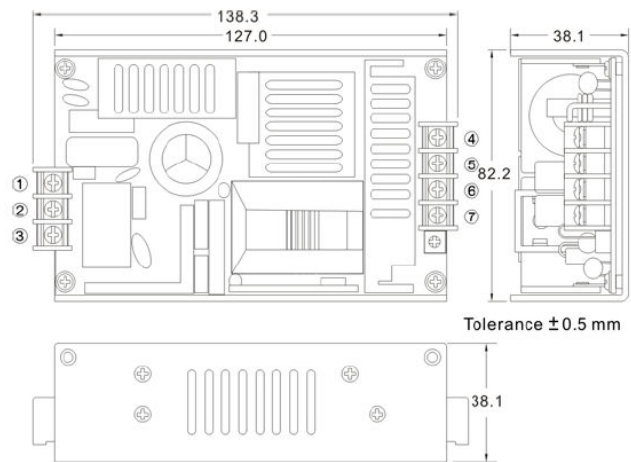


AQF120E-xxS
Enclosed Version

AQF120O-xxS
Open Frame Version



AQF120U-xxS
U-Channel Version



AQF120E-xxS
Enclosed Version

Pin	Function
1	AC Live
2	AC Neutral
3	Gnd.
4, 5	+DC Out
6, 7	-DC Out

150 Watt - AQF Series
Available in Open Frame, U-Channel
And Enclosed Versions
Universal Input (90-264 VAC)
Single Output
120 Watt Convection Rated
150 Watt Fan Cooled Rating (18CFM)
2 Year Warranty



AQF150O-xxS
Open Frame Version



AQF150U-xxS
U-Channel Version

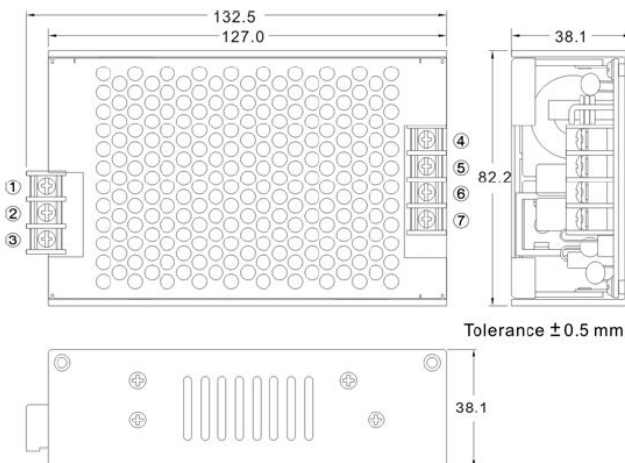
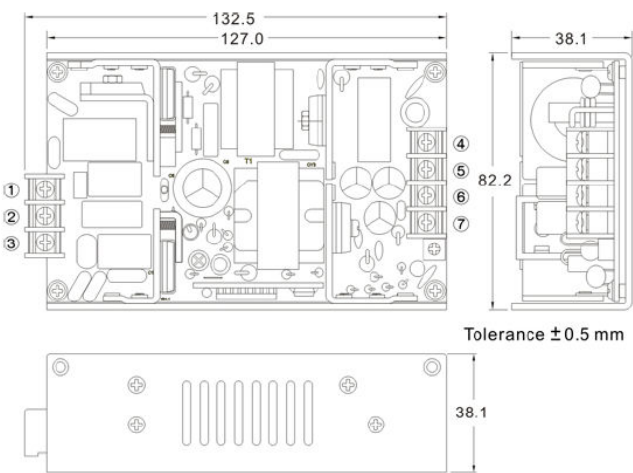
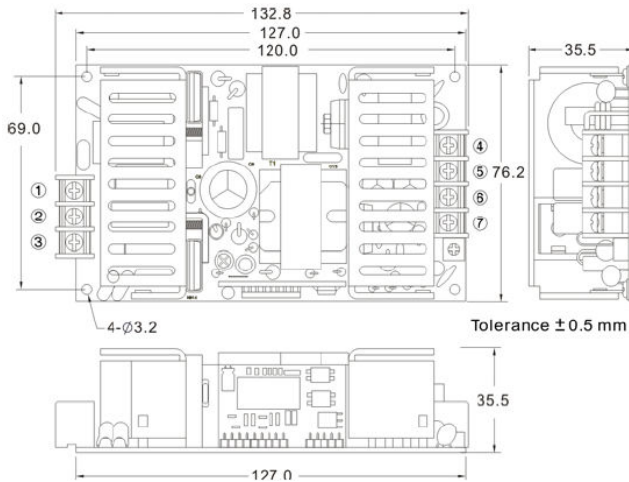


AQF150E-xxS
Enclosed Version

Model	Output (VDC)	Output (A) (Convection)	Output (A) 18CFM	Eff.
AQF150O-3.3S	3.3 V	20.0 A	25.0 A	73%
AQF150O-5S	5.0 V	20.0 A	25.0 A	78%
AQF150O-12S	12.0 V	10.0 A	12.5 A	81%
AQF150O-15S	15.0 V	8.0 A	10.0 A	81%
AQF150O-24S	24.0 V	5.0 A	6.25 A	82%
AQF150O-48S	48.0 V	2.5 A	3.13 A	83%
AQF150U-3.3S	3.3 V	20.0 A	25.0 A	73%
AQF150U-5S	5.0 V	20.0 A	25.0 A	78%
AQF150U-12S	12.0 V	10.0 A	12.5 A	81%
AQF150U-15S	15.0 V	8.0 A	10.0 A	81%
AQF150U-24S	24.0 V	5.0 A	6.25 A	82%
AQF150U-48S	48.0 V	2.5 A	3.13 A	83%
AQF150E-3.3S	3.3 V	16.0 A	25.0 A	73%
AQF150E-5S	5.0 V	16.0 A	25.0 A	78%
AQF150E-12S	12.0 V	7.9 A	10.4 A	81%
AQF150E-15S	15.0 V	6.33 A	8.33 A	81%
AQF150E-24S	24.0 V	3.95 A	5.2 A	82%
AQF150E-48S	48.0 V	1.98 A	2.6 A	83%

AQF120O-xxS
Open Frame Version

AQF120U-xxS
U-Channel Version



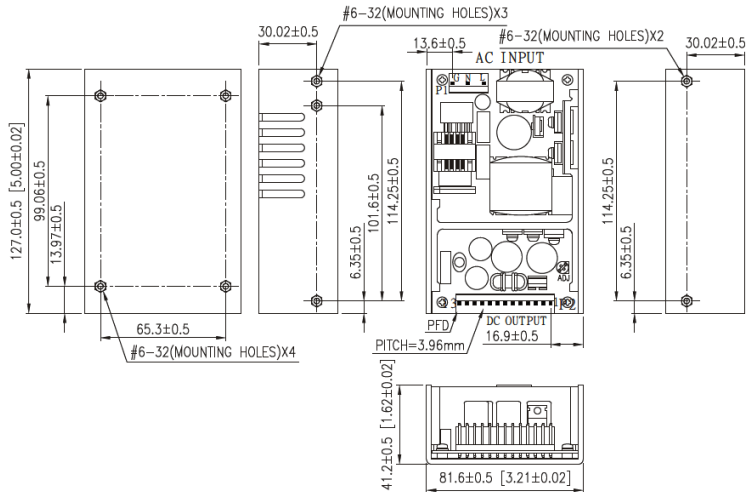
Pin	Function
1	AC Live
2	AC Neutral
3	Gnd.
4, 5	+DC Out
6, 7	-DC Out

AQF150E-xxS
Enclosed Version
95 Watts Convection Cooled
125 Watts with 18CFM of air

150 Watt - SUU150 Series
U-Channel Mounting
Convection Cooled
127 x 81.6 x 41.2 mm
Universal Input (90-264 VAC)
2 Year Warranty
2 Pin Input Versions Available
(Part Number: SUU151-xxx)



Model	Output	Max Power
SUU150-104	9.0 V @ 16.0 A	144 W
SUU150-105	12.0 V @ 12.5 A	150 W
SUU150-106	15.0 V @ 10.0 A	150 W
SUU150-107	18.0 V @ 8.3 A	150 W
SUU150-108	24.0 V @ 6.25 A	150 W
SUU150-109	30.0 V @ 5.0 A	150 W
SUU150-110	36.0 V @ 4.17 A	150 W
SUU150-111	48.0 V @ 3.1 A	150 W

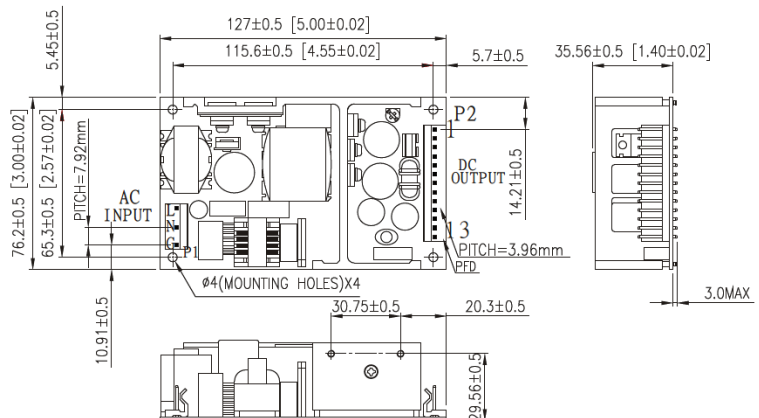


Pin (Output Connector)	Function
1~6	+DC Out
7~12	DC Rtn.
13	PFD (Optional)

150 Watt - SBU150 Series
Convection Cooled
127 x 76.2 x 35.6 mm
Universal Input (90-264 VAC)
2 Year Warranty
2 Pin Input Versions Available
(Part Number: SBU151-xxx)



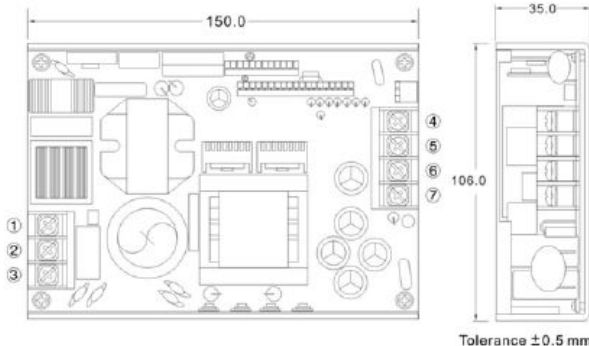
Model	Output	Max Power
SBU150-104	9.0 V @ 16.0 A	144 W
SBU150-105	12.0 V @ 12.5 A	150 W
SBU150-106	15.0 V @ 10.0 A	150 W
SBU150-107	18.0 V @ 8.3 A	150 W
SBU150-108	24.0 V @ 6.25 A	150 W
SBU150-109	30.0 V @ 5.0 A	150 W
SBU150-110	36.0 V @ 4.17 A	150 W
SBU150-111	48.0 V @ 3.1 A	150 W



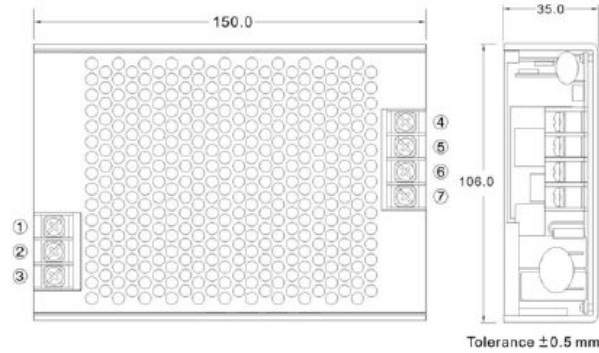
Pin (Output Connector)	Function
1~6	+DC Out
7~12	DC Rtn.
13	PFD (Optional)

200-240 Watt - AQF Series
U-Channel and Enclosed Versions
Convection Cooled
Ultra Compact Size
Universal Input (90-264 VAC)
4000 VAC Isolation I/P-O/P
Single Output
2 Year Warranty

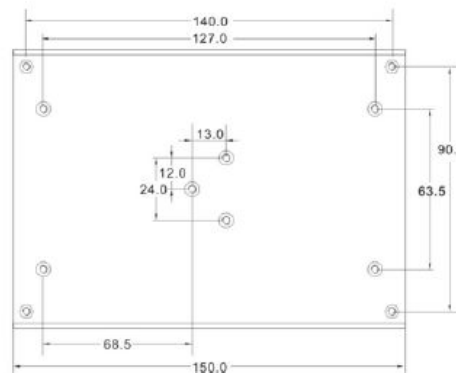
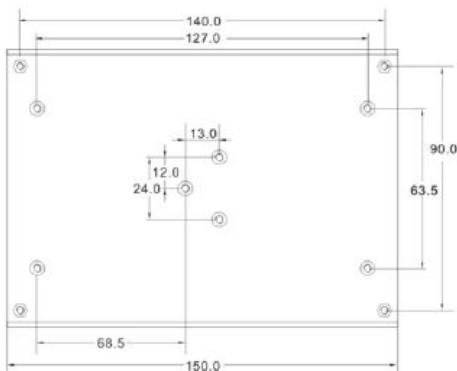
Model	Output (VDC)	Output Current	Efficiency
AQF240U-12S	12.0 V	20.0 A	90%
AQF240U-24S	24.0 V	10.0 A	92%
AQF240U-48S	48.0 V	5.0 A	93%
AQF240E-12S	12.0 V	16.7 A	90%
AQF240E-24S	24.0 V	10.0 A	92%
AQF240E-48S	48.0 V	5.0 A	93%



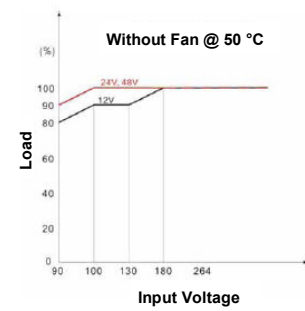
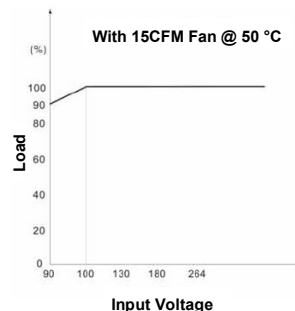
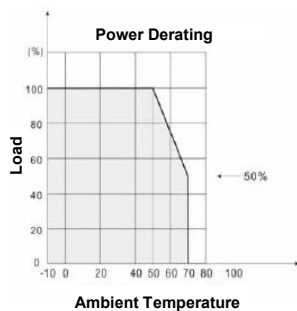
Tolerance ± 0.5 mm



Tolerance ± 0.5 mm

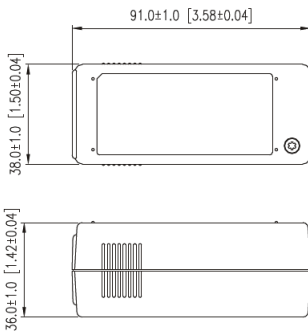


Pin	Function
1	AC Live
2	AC Neutral
3	Gnd.
4, 5	+DC Out
6, 7	-DC Out



AC – DC Converters (Desktop/External)

12 - 15 Watt - SPU16x Series
Desktop/External
Universal Input (90-264 VAC)
Compact Size
3~48V Output Voltage Range
IEC C6, C8 & C14 Input Connectors
Optional Output Connectors Available



SPU16A Case (IEC C14)



SPU16B Case (IEC C8)



SPU16C Case (IEC C6)

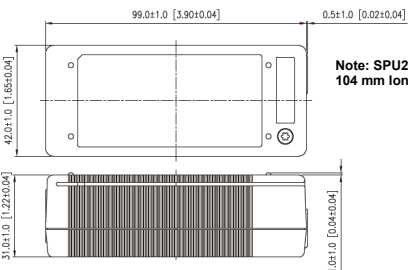


Model	Output (VDC)	Output (A)	Max Power
SPU16x-101	3~5 V	2.5 A Max	12 W
SPU16x-102	5~6 V	2.5~2.0 A	12 W
SPU16x-103	6~8 V	2.0~1.5 A	12 W
SPU16x-104	8~11 V	1.87~1.36 A	15 W
SPU16x-105	11~13 V	1.36~1.15 A	15 W
SPU16x-106	13~16 V	1.15~0.94 A	15 W
SPU16x-107	16~21 V	0.94~0.72 A	15 W
SPU16x-108	21~27 V	0.72~0.55 A	15 W
SPU16x-109	27~33 V	0.55~0.45 A	15 W
SPU16x-110	33~40 V	0.45~0.37 A	15 W
SPU16x-111	40~48 V	0.37~0.31 A	15 W

Insert "A", "B" or "C" to replace "x" according to the input connector required

N.B. The voltage range above is not customer settable but shows the factory settable range available

16.5 - 25 Watt - SPU25x Series
Desktop/External
Universal Input (90-264 VAC)
Compact Size
5~48V Output Voltage Range
IEC C6, C8 & C14 Input Connectors
Optional Output Connectors Available



SPU25A Case (IEC C14)



SPU25B Case (IEC C8)



SPU25C Case (IEC C6)



Model	Output (VDC)	Output (A)	Max Power
SPU25x-102	5~6 V	3~2.75 A	16.5 W
SPU25x-103	6~8 V	3.3~2.5 A	20 W
SPU25x-104	8~11 V	2.75~2.0 A	22 W
SPU25x-105	11~13 V	2.27~1.92 A	25 W
SPU25x-106	13~16 V	1.92~1.56 A	25 W
SPU25x-107	16~21 V	1.56~1.19 A	25 W
SPU25x-108	21~27 V	1.19~0.92 A	25 W
SPU25x-109	27~33 V	0.92~0.75 A	25 W
SPU25x-110	33~40 V	0.75~0.62 A	25 W
SPU25x-111	40~48 V	0.62~0.52 A	25 W

Insert "A", "B" or "C" to replace "x" according to the input connector required

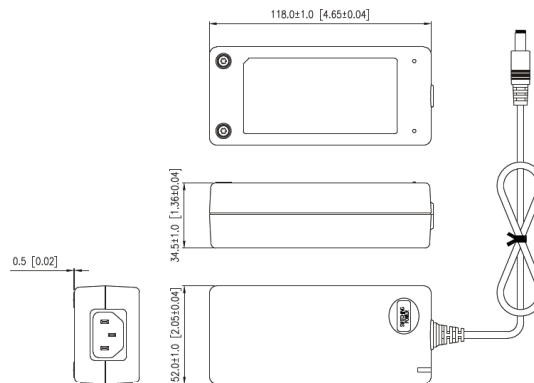
N.B. The voltage range above is not customer settable but shows the factory settable range available

57 - 63 Watt - SPU63 Series
Desktop/External
Universal Input (90-264 VAC)
Compact Size
12~50V Output Voltage Range
IEC C14 Input Connector
Optional Output Connectors Available
2 Year Warranty



Model	Output (VDC)	Output (A)	Max Power
SPU63-105	12~14 V	4.75~4.07 A	57 W
SPU63-106	15~16 V	4.2~3.94 A	63 W
SPU63-107	16~21 V	3.94~3.0 A	63 W
SPU63-108	21~27 V	3.0~2.33 A	63 W
SPU63-109	27~33 V	2.33~1.91 A	63 W
SPU63-110	33~40 V	1.91~1.58 A	63 W
SPU63-111	40~50 V	1.58~1.26 A	63 W

N.B. The voltage range above is not customer settable but shows the factory settable range available



120 - 180 Watt - FSP Series
Desktop/External
Universal Input (90-264 VAC)
Compact Size
12 & 24 Volt Models
IEC C6 & C14 Input Connectors
Optional Output Connectors Available
(Contact ALL PSU Sales For Details)



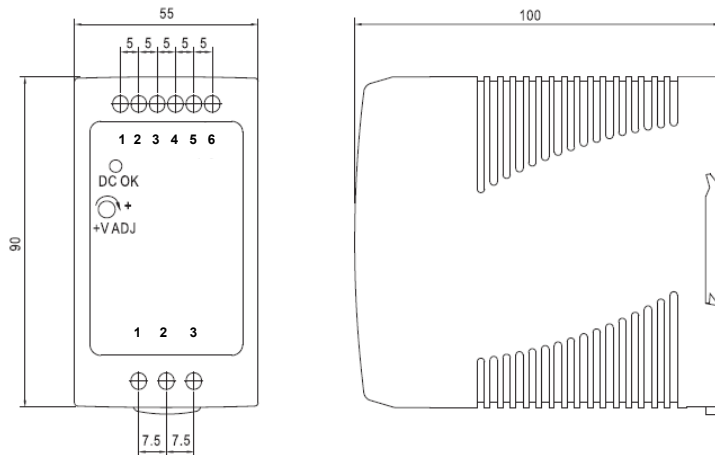
Model	Output Voltage	Output Current	Input Connector	Output Connector	Size (mm)
FSP-096-12	12.0 V	8.0 A	C6	4 Pin Mini Din	167 x 65 x 37
FSP-120-24	24.0 V	5.0 A	C6	2.5mm 90° DC Jack	167 x 65 x 37
FSP-150-12	12.0 V	12.5 A	C14	4 Pin Mini Din	171 x 72 x 40
FSP-150-24	24.0 V	6.5 A	C14	4 Pin Mini Din	171 x 72 x 40
FSP-180-24	24.0 V	7.5 A	C14	4 Pin Mini Din	171 x 85 x 41

DC Output Connector		
Pin	FSP-096	FSP-120/150/180
1	Gnd.	+V Out
2	+V Out	+V Out
3	Gnd.	Gnd.
4	+V Out	Gnd.

AC – DC Converters (Din Rail Mounting)

100 Watt - MDR100 Series
Din Rail Mounting
Universal Input (85-264 VAC)
Up to 88% Efficiency
DC OK Relay
Active PFC & Overtemp Protection
Narrow Profile - 55mm Wide

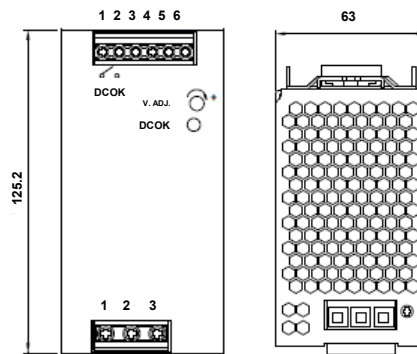
Model	Output	Adjustment	Efficiency
MDR-100-12	12.0 V / 7.5 A	12.0~15.0 V	85%
MDR-100-24	24.0 V / 4.0 A	24.0~30.0 V	86%
MDR-100-48	48.0 V / 2.0 A	48.0~56.0 V	88%



Terminal	Function
AC Connector	
1	Gnd.
2	AC Neutral
3	AC Live
DC Connector	
1, 2	+V Out
3, 4	-V Out
5, 6	DC OK

240 Watt - SDR240 Series
Din Rail Mounting
Universal Input (88-264 VAC)
94% Efficiency
SEMI 47 Compliant
150% Peak Load Capability
Up to 60 °C Operation at Full Power
Narrow Profile - 63mm Wide

Model	Output	Adjustment	Efficiency
SDR-240-24	24.0 V / 10.0 A	24.0~28.0 V	94%
SDR-240-48	48.0 V / 5.0 A	48.0~55.0 V	94%

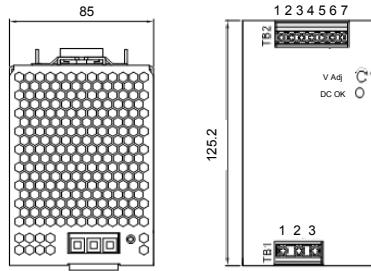


Terminal	Function
AC Connector	
1	Gnd.
2	AC Neutral
3	AC Live
DC Connector	
1, 2	DC OK
3, 4	+V Out
5, 6	-V Out

480 Watt - SDR480 Series
Din Rail Mounting
Universal Input (88-264 VAC)
94% Efficiency
SEMI 47 Compliant
150% Peak Load Capability
Up to 60 °C Operation at Full Power
Narrow Profile - 85 mm Wide

Model	Output	Adjustment	Efficiency
SDR-480-24	24.0 V / 20.0 A	24.0~28.0 V	94%
SDR-480-48	48.0 V / 10.0 A	48.0~55.0 V	94%

Preliminary



Terminal	Function
AC Connector	
1	Gnd.
2	AC Neutral
3	AC Live
DC Connector	
1, 2	+V Out
3, 4	-V Out
5, 6	DC OK
7	Current Share

High IP Rated / LED Lighting

20 - 240 Watt - LPV/PLN/CLG Series
IP 67 / IP64 / IP65 Rated
Universal Input (90-264 VAC)
5~48V Output Voltage Ranges
-30 °C Startup Possible
UL1310 Class 2 (Not CLG150 or CLG240)
Suitable for External Use, LED Lighting & Moving Sign Applications
2 Year Warranty (3 Years for CLG Models)

Series	Output Voltage (VDC)	Max. Output (A)
LPV Series (IP 67 Rated)		
LPV-20-x	5 / 12 / 15 / 24	3.0 / 1.7 / 1.3 / 0.8
LPV-35-x	5 / 12 / 15 / 24 / 36	6.0 / 3.0 / 2.4 / 1.5 / 1.0
LPV-60-x	5 / 12 / 15 / 24 / 36 / 48	8.0 / 5.0 / 4.0 / 2.5 / 1.67 / 1.25
For part number, replace X with required output voltage		
PLN Series (IP 64 Rated)		
PLN-30-x	9 / 12 / 15 / 20 / 24 / 27 / 36 / 48	3.3 / 2.5 / 2.0 / 1.5 / 1.2 / 1.1 / 0.8 / 0.6
PLN-60-x	12 / 15 / 20 / 24 / 27 / 36 / 48	5.0 / 4.0 / 3.0 / 2.5 / 2.3 / 1.7 / 1.3
PLN-100-x	12 / 15 / 20 / 24 / 27 / 36 / 48	5.0 / 5.0 / 4.8 / 4.0 / 3.5 / 2.6 / 2.0
For part number, replace X with required output voltage		
CLG Series (IP65 Rated)		
CLG-60-x-A	12 / 15 / 20 / 24 / 27 / 36 / 48	5.0 / 4.0 / 3.0 / 2.5 / 2.3 / 1.7 / 1.3
CLG-100-x-A	12 / 15 / 20 / 24 / 27 / 36 / 48	5.0 / 5.0 / 4.8 / 4.0 / 3.5 / 2.6 / 2.0
CLG-150-x-A	12 / 15 / 20 / 24 / 30 / 36 / 48	11.0 / 9.5 / 7.5 / 6.3 / 5.0 / 4.2 / 3.2
CLG-240-x-A	12 / 15 / 20 / 24 / 30 / 36 / 48	18.0 / 15.0 / 12.0 / 10.0 / 8.0 / 6.7 / 5.0
For part number, replace X with required output voltage		

LPV Style



PLN Style



CLG Style



Preliminary ▶

Notes:

The LPV units are all Constant Voltage mode power supplies with two wire input/output (no ground)

The PLN Series are constant current limiting design and have user adjustable output voltage and current protection level (A screw terminal type unit is under development for the 100W version)

The CLG 150/240 Series have a user adjustable OCP and output voltage via internal potentiometers
For screw terminal input/output connection, replace the "A" suffix with a "C" suffix

Lead Acid Batteries



The HSC Range of lead acid batteries are a new lower cost range to the previous HZS range (which are still available). They are AGM technology batteries with a 5 year design life.
 Recommended operational temperature range is $-20\text{ }^{\circ}\text{C}$ to $+50\text{ }^{\circ}\text{C}$
 Recommended float charging is at 2.27-2.30 VPC @ $20\text{ }^{\circ}\text{C}$
 For lower capacity (e.g. 1.3Ah), or higher capacity (up to 230Ah) contact ALL PSU sales for alternative ranges available

Model	Capacity	Length (mm)	Width (mm)	Height (mm)	Weight (kg)	Box Quantity
HSC6-4.5	6 V / 4.5 Ah	70	48	106	0.71	20
HSC6-7.5	6 V / 7.5 Ah	150	34	100	1.15	10
HSC6-10	6 V / 10 Ah	151	50	99	1.60	10
HSC6-12	6 V / 12 Ah	151	50	99	1.80	10
HSC12-5	12 V / 5 Ah	90	70	107	1.62	10
HSC12-7	12 V / 7 Ah	151	65	99	2.0	8
HSC12-7.5	12 V / 7.5 Ah	151	65	99	2.2	8
HSC12-10	12 V / 10 Ah	151	65	99	2.8	8
HSC12-12	12 V / 12 Ah	150	97	99	3.5	4
HSC12-18	12 V / 18 Ah	181	76	167	5.0	2
HSC12-26	12 V / 26 Ah	165	174.5	125	8.0	1
HSC12-33	12 V / 33 Ah	193.5	130	166.5	11.0	1
HSC12-44	12 V / 44 Ah	198	167	157	12.2	1

PSU Type	Power Range		
Plug Top	6~36 Watts		
Open Frame	5~250 Watts		
DC-DC Converter (PCB Mount)	1~600 Watts		
DC-DC Converter (Chassis Mount)	5~1000 Watts		
Configurable (Up to 12 Outputs)	400~1450 Watts		
Fully Enclosed	15~1500 Watts		
Medically Approved (EN60601-1)	5~1450 Watts		
DC-AC Inverters	100~3000 Watts		
PCB Mount (Open Frame)	5~20 Watts		
Semi-Customisable	25~185 Watts		



ALL PSU LTD

Electronic Power Solutions

**Unit D6, Laser Quay, Culpeper Close
Medway City Estate
Rochester
Kent
ME2 4HU**

Tel: 01634-725527 Fax: 01634-739111

E-mail: sales@allpsu.co.uk

Web: www.allpsu.co.uk

The specifications of products contained within this catalogue are subject to change without prior notice.
ALL PSU Ltd have endeavoured to ensure that all details are correct at time of press but cannot guarantee that any
specification has not subsequently been changed or altered.