

Features

Switching Zero Cross

Output Triac & Mechanical Relay

Input DC & AC

Applications where you need the best of 2 worlds. A relay that has a long life and has 0V on-state.

Technical data

20A

Input circuit

Control voltage range	3...30 VDC or 24VAC
Control current max	15 mA
Turn-off voltage min..	1 VDC or 1VAC
Input resistance	2K2Ω

Output circuit

Load voltage range	24...280 VAC
Peak-off state voltage	600 V _{drm}
Off-state leakage current	5 mA eff.
Load current range	0.1 ...20A
Surge current 1 half wave	100 A _{peak}
I ² t for fusing	50 A ² s
On-state voltage	0V
Off-state (static) dv/dt	500 V/μs
Snubber	47 Ω / 22 nF
Mechanical contact material	AgCdO

General data

Turn-on time max.	11ms
Turn-off time max.	27 ms
Line frequency range.	47...63 Hz
Isolation volt. between input/output	4.000 V
Isolation volt. between input-output/base	—
Isolation resistance	50 MΩ
Operation temperature	-20...+80 °C
Recommended varistor	SIOV-S14 K230
Approvals	—
Mechanical life	30 x 10 ⁶

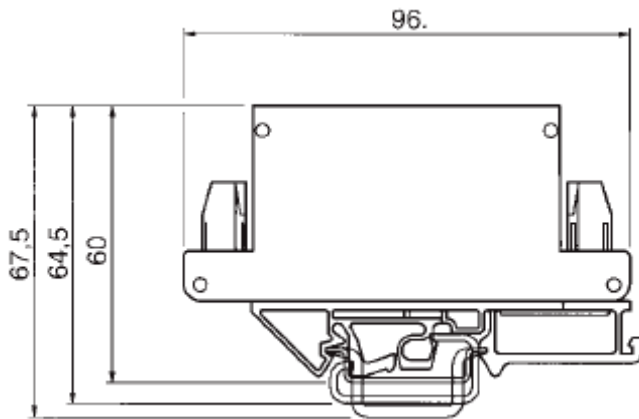
Hybrid Relays

Datasheet HSR 280 T 20

Comus International Bvba
 Overhaamlaan 40
 3700 Tongeren, Belgium
 Phone: +32 12390400
 Fax: +32 12235754
 Email: info@comus.be
 www.comus.be



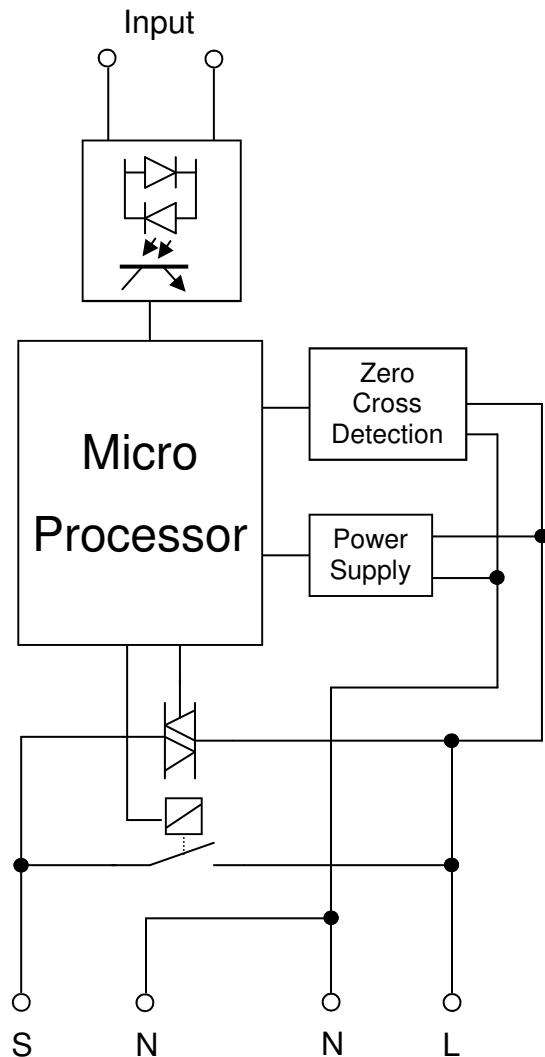
Dimensions in mm 27 x 42 x 96 (W x H x D)



Connections



Block circuit



Operation

