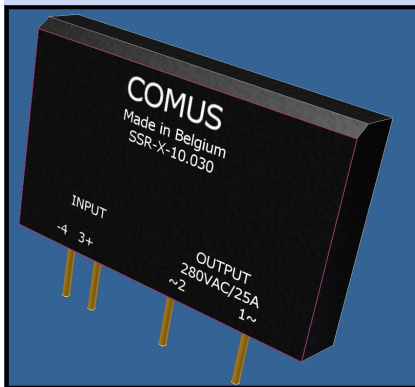


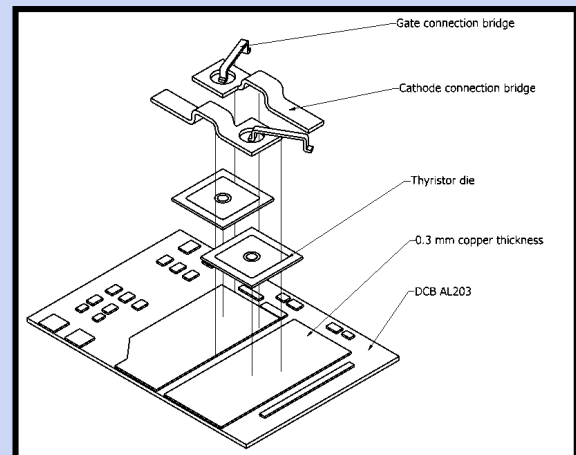
Features



Switching Random

Output Direct copper bonding with 50A or 75A thyristors with strong soldered copper bridging (no wire bonding).

Input Very low current control max. 2mA



Applications

Special designed for stage light control.

High $I^2t > 5000 \text{ A}^2\text{s}$

Technical data

	THYRISTOR	50 A	75 A
Input circuit			
Control current range		2...30 mA	
Forward voltage max. (IF=10mA)		1.4V	
Reverse voltage max.		6.0V	
Input resistance		option	
Output circuit			
Load voltage range		48 ...280 VAC	
Peak-off state voltage		600 V_{drm}	
Off-state leakage current			
Load current range		0,1 25A	
Surge current 1 half wave ($T_j=45^\circ\text{C}$)		500 A_{peak}	1150 A_{peak}
I^2t for fusing $t < 10 \text{ ms}$		$> 1300 \text{ A}^2\text{s}$	$>5000 \text{ A}^2\text{s}$
On-state voltage		1,4 V_{peak}	
Off-state (static) dv/dt min.		1000 $\text{V}/\mu\text{s}$	
General data			
Turn-on time max.		0,1 ms	
Turn-off time max.		11 ms	
Line frequency range.		47...63 Hz	
Isolation volt. between input/output		4.000 V	
Isolation volt. between input-output/base		4.000 V	
Isolation resistance		50 $\text{M}\Omega$	
Operation temperature		-20...+80 $^\circ\text{C}$	
Approvals		—	

PRELIMINARY

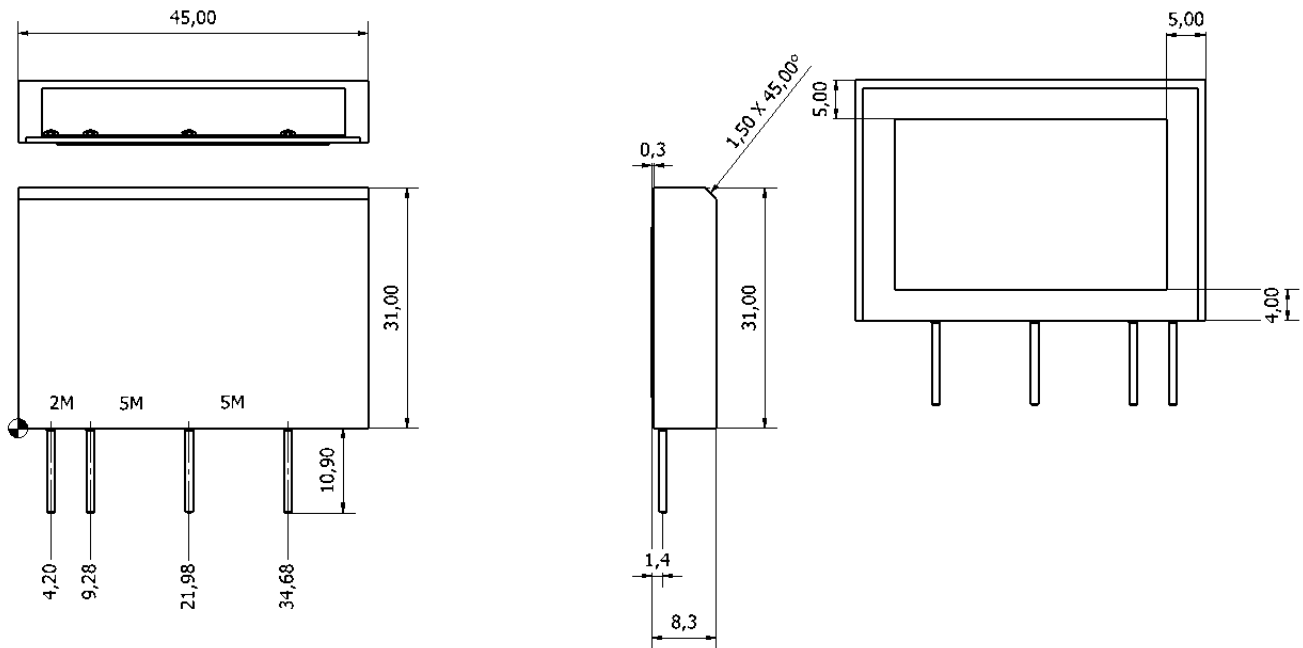
Solid State Relays

Datasheet SSR-X-10.030

Comus International Bvba
 Overhaamlaan 40
 3700 Tongeren, Belgium
 Phone: +32 12390400
 Fax: +32 12235754
 Email: info@comus.be
 www.comus.be

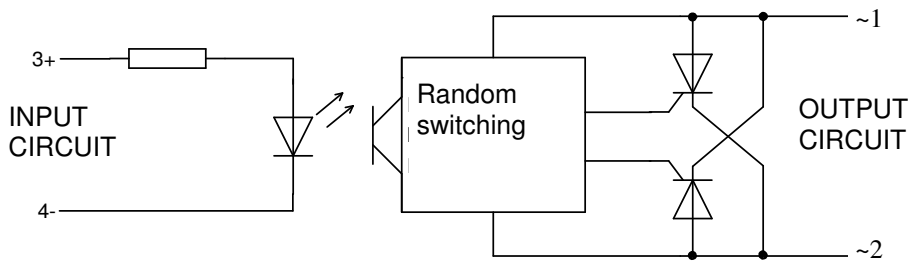


Dimensions in mm



Circuit diagram

PRELIMINARY



Derating-diagramme

PRELIMINARY

Housing specifications

Weight	Approx. 20 g
Housing material	Glass filled polyester
Potting compound	Thermally conductive epoxy
Terminals	Solder pins

Ordering