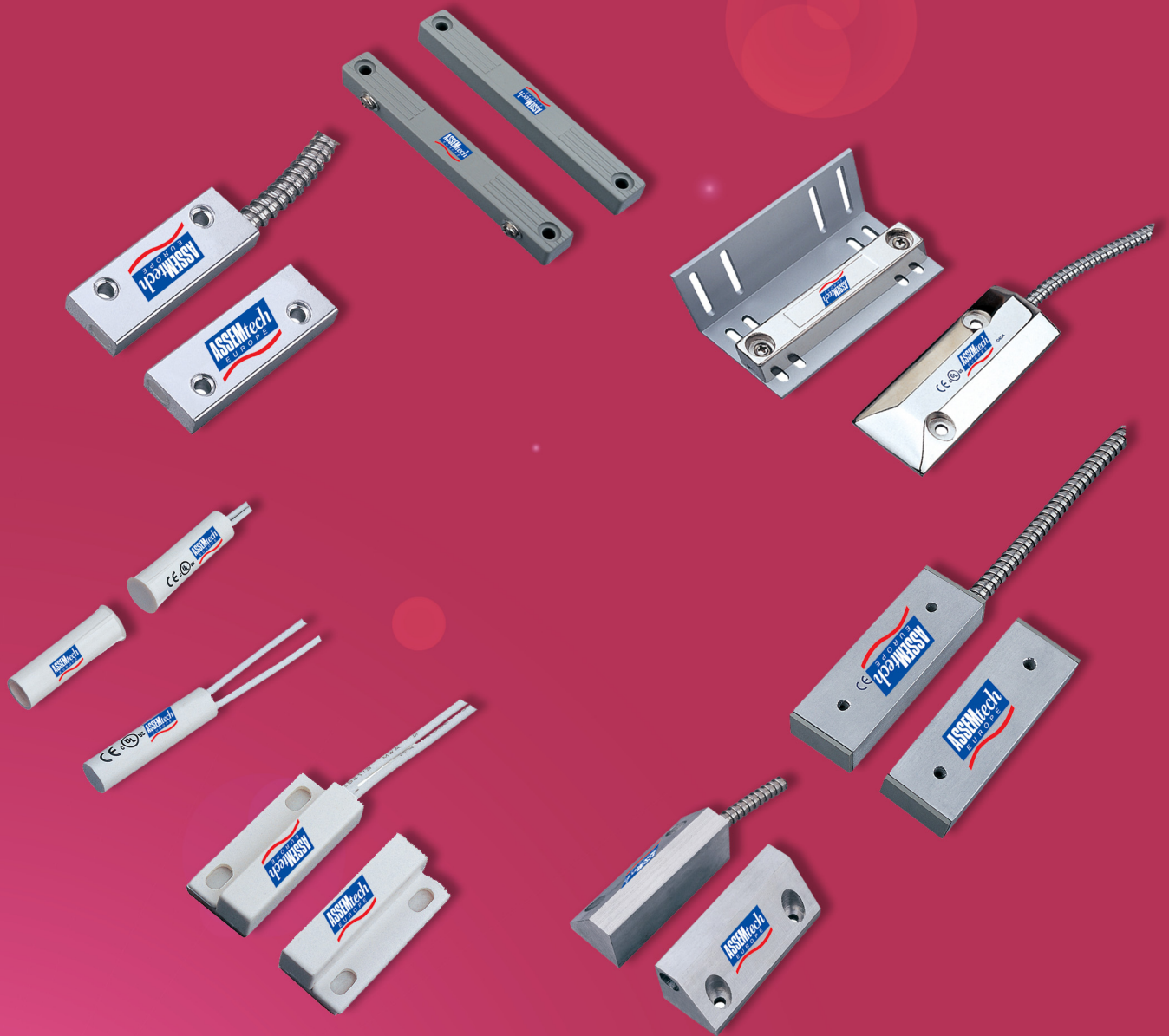


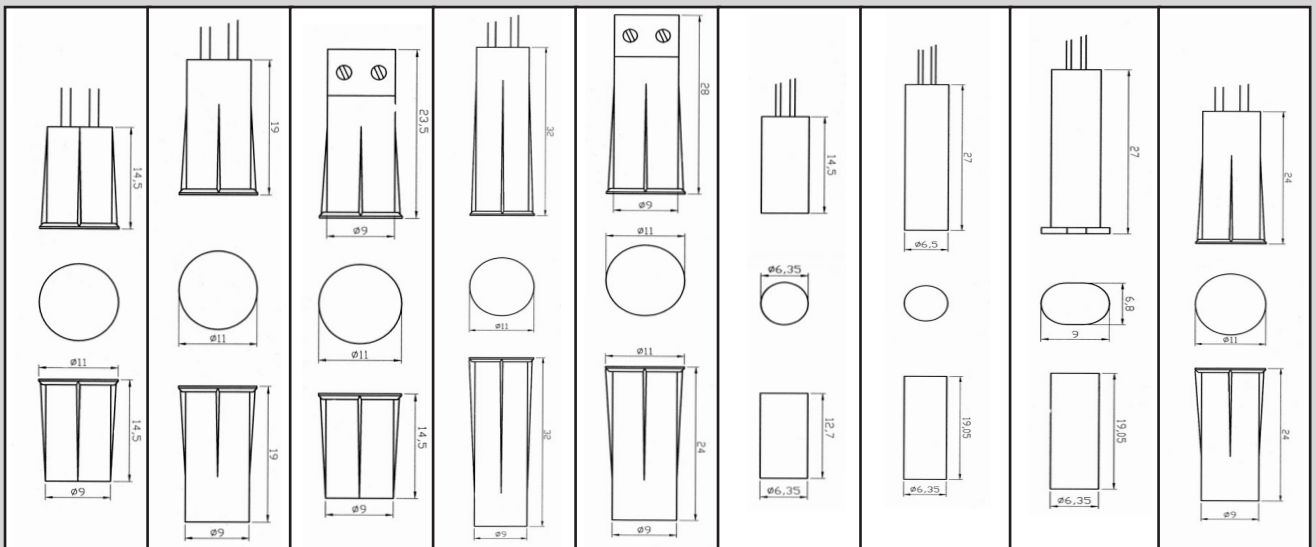
Alarm and Security Switches





The Comus Group of Companies

Recessed Mount Switches



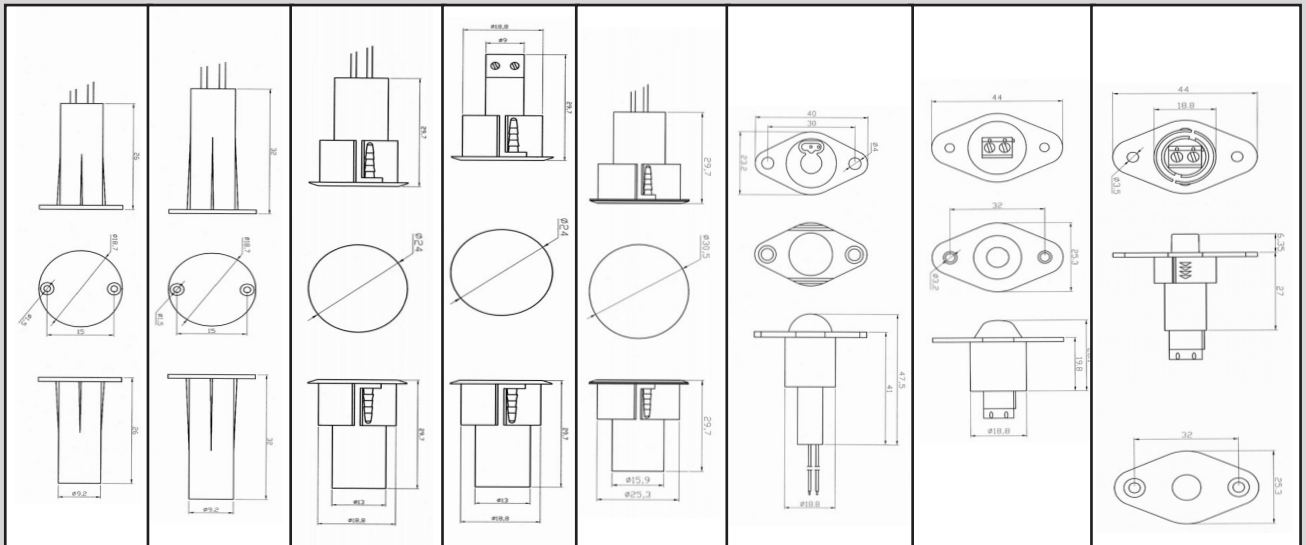
| Part Number | MCS-100 | MCS-101 | MCS-102 | MCS-103 | MCS-104 | MCS-105 | MCS-106 | MCS-107 | MCS-108 |
|------------------------------------|----------------------------------|----------------------------------|--|----------------------------------|--|----------------------------------|----------------------------------|---|---|
| Options & Features | Available in White, Brown & Grey | Available in White, Brown & Grey | Terminal block connection Available in White, Brown & Grey | Available in White, Brown & Grey | Terminal block connection Available in White, Brown & Grey | Available in White, Brown & Grey | Available in White, Brown & Grey | Flanged to ease installation Available in White, Brown & Grey | Flanged to ease installation Available in White, Brown & Grey |
| Reed Form | N/O | N/O | N/O | N/O, N/C, SPDT | N/O, N/C | N/O | N/O, SPDT | N/O, SPDT | N/O, N/C, SPDT |
| Loop Type | Closed | Closed | Closed | Closed or Open | Closed or Open | Closed | Closed or Open | Closed or Open | Closed or Open |
| Suggested Magnet (See magnets) | M4, M6 | M3, M4, M5, M6, M13 | M1, M3 | M3, M4, M6 | M3 | M5 | M7 | M7 | M1, M3, M4, M6 |
| Switching Distances Available (mm) | 16, 19, 25 | 16, 19, 20, 25, 28, 32 | 19, 31, 35 | 15, 19, 22, 25, 31, 37 | 19, 23, 37 | 19 | 20, 25 | 20, 25 | 19, 25, 28, 32 |
| Switching Capacity Max. W/VA | 10 | 10 | 10 | 3 or 10 | 3 or 10 | 10 | 3 or 10 | 3 or 10 | 3 or 10 |
| Switching Voltage Max. VAC | 100 | 100 | 100 | 30 or 100 | 30 or 100 | 100 | 30 or 100 | 30 or 100 | 30 or 100 |
| Switching Current Max. A | 0.5 | 0.5 | 0.5 | 0.2 or 0.5 | 0.2 or 0.5 | 0.5 | 0.5 | 0.2 or 0.5 | 0.2 or 0.5 |
| Contact Resistance Max (mOhms) | 200 | 150 | 150 | 150 | 150 | 150 | 150 | 150 | 150 |
| Cable Length Dia (mm) | 450 / 0.65 | 450 / 0.65 | 450 / 0.65 | 450 / 0.65 | 450 / 0.65 | 450 / 0.65 | 450 / 0.65 | 450 / 0.65 | 450 / 0.65 |





The Comus Group of Companies

Recessed Mount Switches



| Part Number | MCS-109 | MCS-110 | MCS-111 | MCS-112 | MCS-113 | MCS-114 | MCS-115 | MCS-116 |
|------------------------------------|--|--|--|---|--|--|--|--|
| Options & Features | Flanged to ease installation Available in White, Brown & Grey Supervisory loop available | Flanged to ease installation Available in White, Brown & Grey Supervisory loop available | Flanged to ease installation Self locking Available in White, Brown & Grey Supervisory loop available | Flanged to ease installation Self locking Terminal block connection Available in White, Brown & Grey | Flanged to ease installation Self locking Available in White, Brown & Grey Supervisory loop available | Works from 360° direction Available in White or Brown Spacer and screws supplied Supervisory loop available | Available in White or Brown Spacer and screws supplied Lead or terminal block connection | Available in White or Brown Spacer and screws supplied Lead or terminal block connection |
| Reed Form | N/O, N/C, SPDT | N/O, N/C, SPDT | NO, NC, SPDT, 2SPDT | N/O, N/C | NO, NC, SPDT, 2SPDT | N/O, N/C, SPDT | N/O | N/O, N/C, SPDT |
| Loop Type | Closed or Open | Closed or Open | Closed or Open | Closed or Open | Closed or Open | Closed or Open | Closed | Closed or Open |
| Suggested Magnet (See magnets) | | | Optional M13 | Optional M13 | | | | |
| Switching Distances Available (mm) | 19,25 | 19,25 | 12,15 19,25 | 13,15,19 23(in wood) | 19,22,26 | 6mm Gap | 6mm Gap | 6.3mm Gap |
| Switching Capacity Max. W/VA | 3 or 10 | 3 or 10 | 3 or 7.5 | 3 or 7.5 | 3 or 7.5 | 3 or 10 | 10 | 3 or 10 |
| Switching Voltage Max. VAC | 30 or 100 | 30 or 100 | 30 or 100 | 30 or 100 | 30 or 100 | 30 or 100 | 100 | 30 or 100 |
| Switching Current Max. A | 0.2 or 0.5 | 0.2 or 0.5 | 0.2 or 0.4 | 0.2 or 0.4 | 0.2 or 0.4 | 0.2 or 0.5 | 0.5 | 0.2 or 0.5 |
| Contact Resistance Max (mOhms) | 150 | 150 | 150 | 150 | 150 | 150 | 150 | 150 |
| Cable Length Dia (mm) | 450 / 0.65 | 450 / 0.65 | 450 / 0.65 | 450 / 0.65 | 450 / 0.65 | 450 / 0.65 | 450 / 0.65 | 450 / 0.65 |



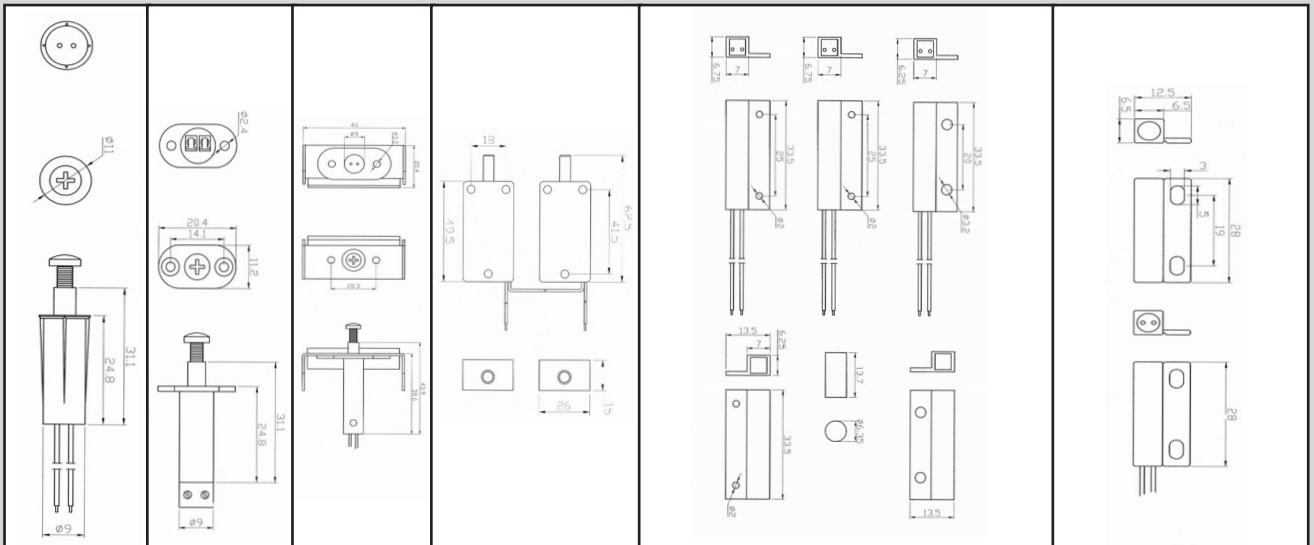


The Comus Group of Companies

Plunger
Switches

Tamper
Switches

Mini Surface
Mount Switches



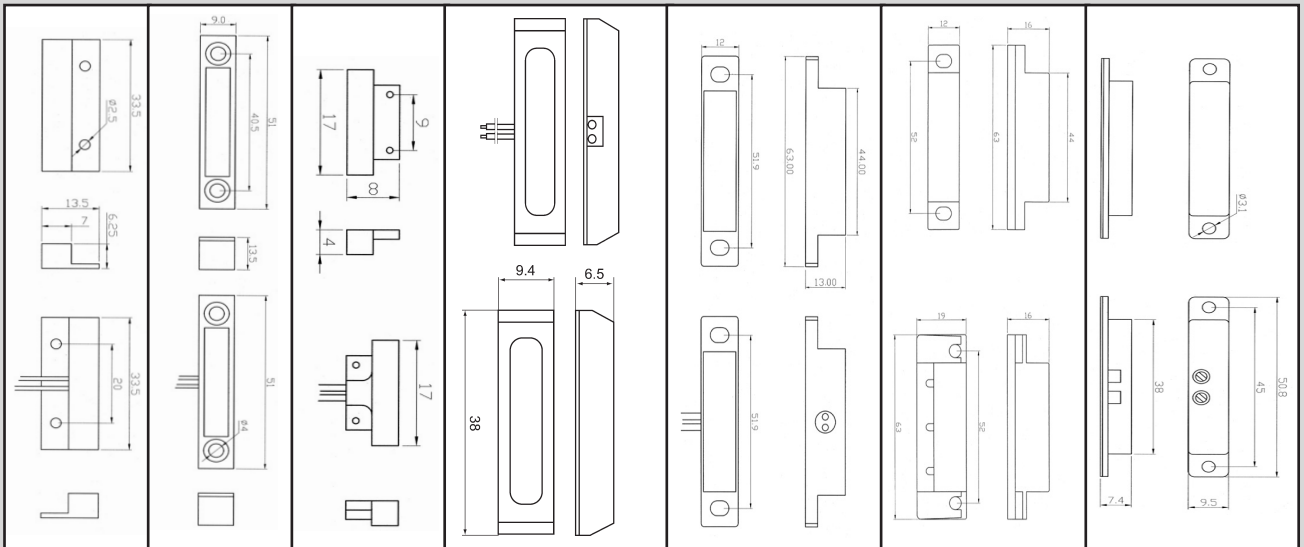
| Part Number | MCS-117 | MCS-118 | MCS-119 | MCS-120 | MCS-121 | MCS-122 |
|------------------------------------|---|---|---|--|---|---|
| Options & Features | Adjustable Screw Available in White, Brown & Grey Screws included | Adjustable Screw with flange Available in White, Brown & Grey Screws included | Adjustable Screw from 1/4" to 1/2" Available in White, Brown & Grey Screws included | Tamper switch for drawers or panels High impact white plastic case | Mini self adhesive with flange Available in White, Brown & Grey Screws included | Mini self adhesive with flange Available in White, Brown & Grey Screws included |
| Reed Form | N/O | N/O, N/C | N/O, N/C | N/O | N/O, N/C, SPDT | N/O, N/C, SPDT |
| Loop Type | Closed | Closed or Open | Closed or Open | Closed | Closed or Open | Closed or Open |
| Suggested Magnet (See magnets) | | | | | M5 | M1 |
| Switching Distances Available (mm) | 6.2mm Gap | 6.2mm Gap | 6.35mm Gap | 12mm Travel | 24,25,31 | 19,24,25 |
| Switching Capacity Max. W/VA | 10 | 3 or 10 | 3 or 10 | 10 | 3 or 10 | 3 or 10 |
| Switching Voltage Max. VAC | 100 | 30 or 100 | 30 or 100 | 100 | 30 or 100 | 30 or 100 |
| Switching Current Max. A | 0.5 | 0.2 or 0.5 | 0.2 or 0.5 | 0.5 | 0.2 or 0.5 | 0.2 or 0.5 |
| Contact Resistance Max (mOhms) | 150 | 150 | 150 | 150 | 150 | 150 |
| Cable Length Dia (mm) | 450 / 0.65 | 450 / 0.65 | 450 / 0.65 | Wire range for terminal 0.25-0.51 | 450 / 0.65 | 450 / 0.51 |



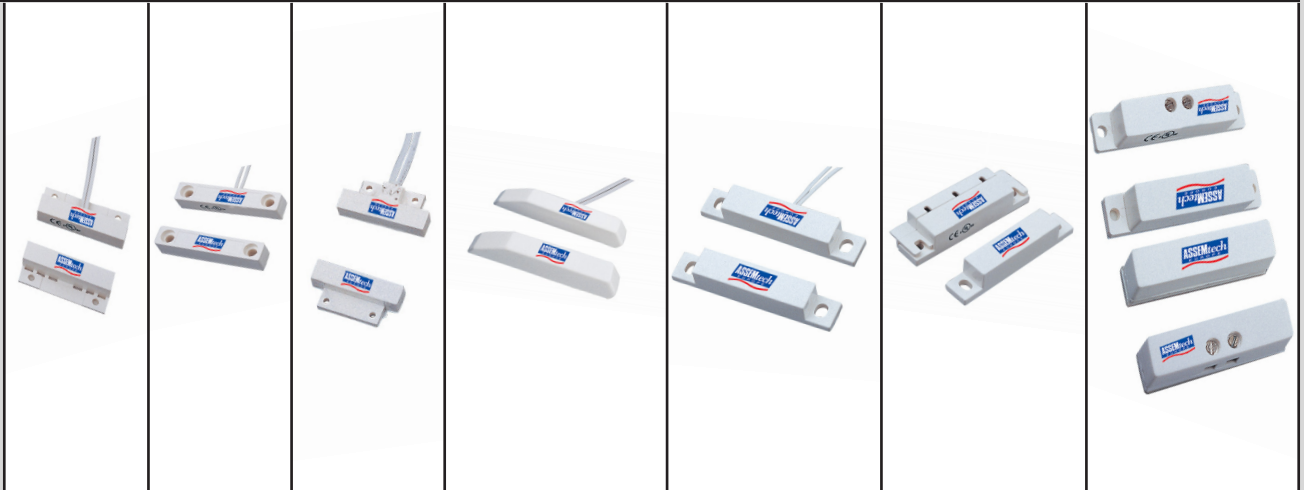


The Comus Group of Companies

Surface Mount Switches



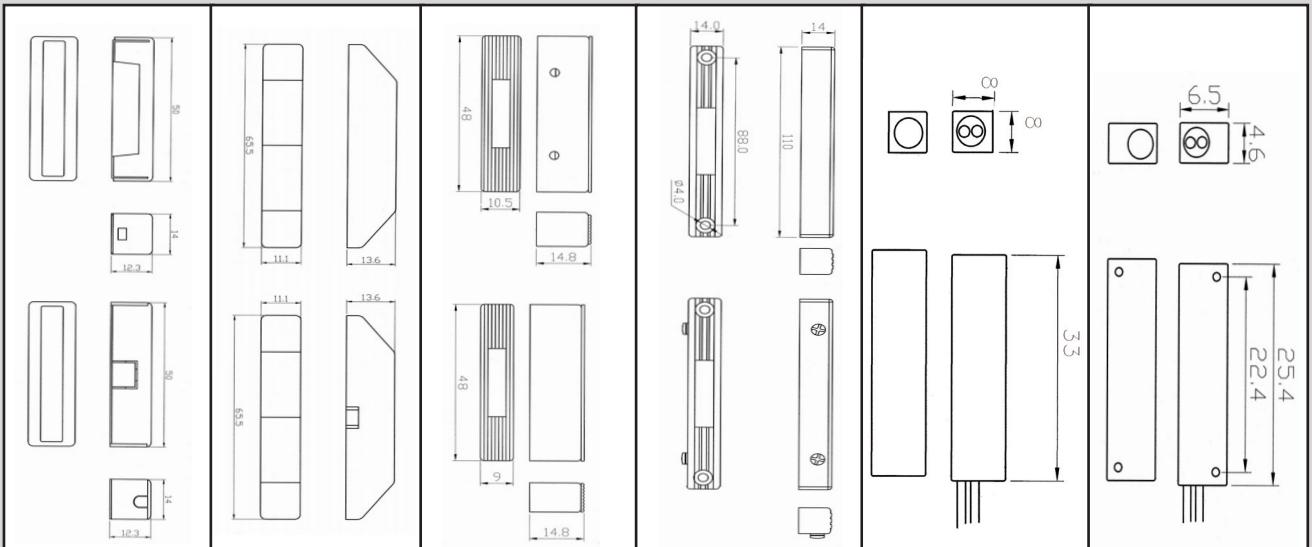
| Part Number | MCS-123 | MCS-124 | MCS-125 | MCS-126 | MCS-127 | MCS-128 | MCS-129 |
|------------------------------------|---|--|--|--|---|--|--|
| Options & Features | Mini self adhesive with flange Available in White, Brown & Grey Screws included | Screw mount or self adhesive Available in White, Brown & Grey Supervisory loop available | Ultra Mini self adhesive with flange Available in White, Brown & Grey Strong tape included | Surface mount without flange Available in White, Brown & Grey Super Strong tape included | Surface mount, centre leads Available in White, Brown & Grey Supervisory loop available | Surface mount concealed terminals Available in White, Brown & Grey BS-2025 leads available Supervisory loop available | Quick connect terminals Screw mount or non flanged Adhesive mount Breakaway flanges Available in White, Brown & Grey |
| Reed Form | N/O, N/C, SPDT | N/O, N/C, SPDT | NO | N/O, N/C, SPDT | NO, NC, SPDT, 2SPDT | N/O, N/C SPDT | N/O, N/C |
| Loop Type | Closed or Open | Closed or Open | Closed | Closed or Open | Closed or Open | Closed or Open | Closed or Open |
| Suggested Magnet (See magnets) | | | | | | | |
| Switching Distances Available (mm) | 24 | 28,30,37 | 13 | 23,24 | 25,31 | 30,31 | 24,25 |
| Switching Capacity Max. W/VA | 3 or 10 | 3 or 10 | 10 | 3 or 10 | 3 or 10 | 3 or 10 | 3 or 10 |
| Switching Voltage Max. VAC | 30 or 100 | 30 or 100 | 100 | 30 or 100 | 30 or 100 | 30 or 100 | 30 or 100 |
| Switching Current Max. A | 0.2 or 0.5 | 0.2 or 0.5 | 0.5 | 0.2 or 0.5 | 0.2 or 0.5 | 0.2 or 0.5 | 0.2 or 0.5 |
| Contact Resistance Max (mOhms) | 150 | 150 | 150 | 150 | 150 | 150 | 150 |
| Cable Length Dia (mm) | 450 / 0.65 | 450 / 0.65 | 450 / 0.51 | 450 / 0.65 | 450 / 0.65 | Wire range for terminal 0.25-0.51 | Wire range for terminal 0.25-0.51 |





The Comus Group of Companies

Surface Mount Switches



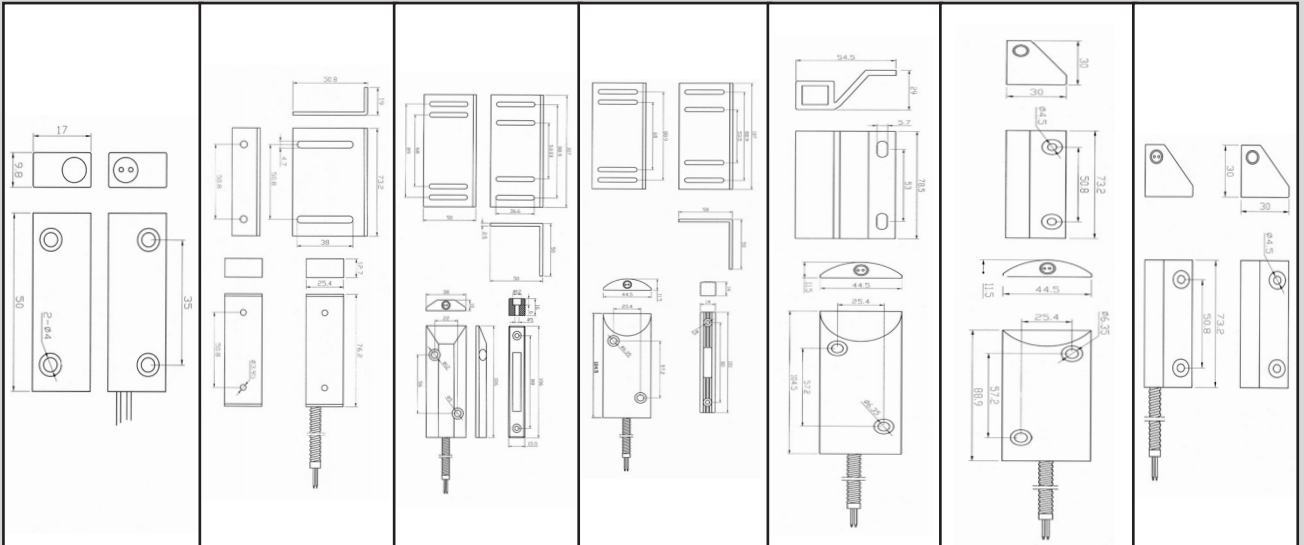
| Part Number | MCS-130 | MCS-131 | MCS-132 | MCS-133 | MCS-134 | MCS-135 |
|------------------------------------|--|--|--|---|--|--|
| Options & Features | Screw mount Cover hides screws & terminals Concealed or surface wiring Available in White, Brown & Grey | Screw mount Cover hides screws & terminals Concealed or surface wiring Available in White, Brown & Grey | Screw mount Cover hides screws & terminals Concealed or surface wiring. Adhesive tape available. Available in White, Brown & Grey | Screw mount Spacer included 2 Conductor jacket cable on request (BSI-2041P) BK03 bracket available Available in White, Brown & Grey | Self adhesive Super strong adhesive Supervisory loop available Available in White, Brown & Grey | Self adhesive Super strong adhesive or nail mountable Available in White, Brown & Grey |
| Reed Form | N/O, N/C, SPDT | N/O, N/C | N/O, N/C | N/O, N/C, SPDT | N/O, N/C, SPDT | N/O |
| Loop Type | Closed or Open | Closed or Open | Closed or Open | Closed or Open | Closed or Open | Closed |
| Suggested Magnet (See magnets) | | | | | | |
| Switching Distances Available (mm) | 28, 30 | 19, 25, 31 | 25, 30 | 50, 651 | 25 | 12 |
| Switching Capacity Max. W/VA | 3 or 10 | 3 or 10 | 3 or 10 | 3 or 10 | 3 or 10 | 10 |
| Switching Voltage Max. VAC | 30 or 100 | 30 or 100 | 30 or 100 | 30 or 100 | 30 or 100 | 100 |
| Switching Current Max. A | 0.2 or 0.5 | 0.2 or 0.5 | 0.2 or 0.5 | 0.2 or 0.5 | 0.2 or 0.5 | 0.5 |
| Contact Resistance Max (mOhms) | 150 | 150 | 150 | 150 | 150 | 150 |
| Cable Length Dia (mm) | Wire range for terminal 0.25-0.51 | Wire range for terminal 0.25-0.51 | Wire range for terminal 0.20-0.51 | Wire range for terminal 0.25-0.51 | 450 / 0.65 | 450 / 0.51 |



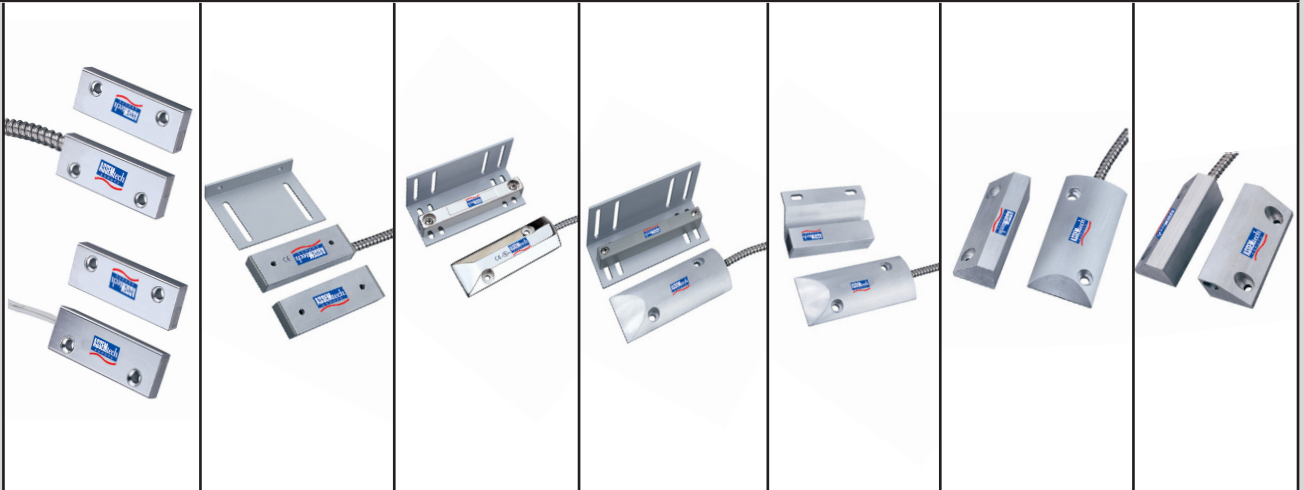


The Comus Group of Companies

Metal Surface Mount Switches



| Part Number | MCS-136 | MCS-137 | MCS-138 | MCS-139 | MCS-140 | MCS-141 | MCS-142 |
|------------------------------------|---|---|---|---|--|--|--|
| Options & Features | Metal switch ideal for industrial use Screws included Armoured cable on request 2 conductor jacket cable on request (BS-2071J) | Metal switch ideal for chain linked fence Bracket included Weather resistant Aluminium housing 2 conductor jacket cable on request (BS-2071J) | Cast Aluminium case for harsh environment optional 'L' bracket Supervisory loop available | Extruded Aluminium case for harsh environment Low cost optional 'L' bracket Supervisory loop available | Mini floor mount, Universal magnet for flexible mounting Jacket cable available - BSD3013-JK Supervisory loop available | Low cost, Heavy duty Aluminium housing Jacket cable available BSD3014-JK Optional 'L' bracket Supervisory loop available | Small size Heavy duty Aluminium housing Jacket cable available - BSD3014-JK Supervisory loop available |
| Reed Form | N/O, N/C, SPDT, 2SPDT | N/O, N/C, SPDT, 2SPDT | NO, N/C, SPDT, 2SPDT | N/O, N/C, SPDT, 2SPDT | NO,NC,SPDT,2SPDT | N/O, N/C, SPDT, 2SPDT | NO,NC,SPDT,2SPDT |
| Loop Type | Closed or Open | Closed or Open | Closed or Open | Closed or Open | Closed, Open, DPDT | Closed, Open DPDT | Closed, Open DPDT |
| Suggested Magnet (See magnets) | | | | | | | |
| Switching Distances Available (mm) | 32,38 | 65,75,90 | 65,75,90 | 65, 75,90 | 65,75,90 | 65,75,90 | 65,75,90 |
| Switching Capacity Max. W/VA | 3 or 7.5 | 3 or 7.5 | 3 or 7.5 | 3 or 7.5 | 3 or 7.5 | 3 or 7.5 | 3 or 7.5 |
| Switching Voltage Max. VAC | 30 or 100 | 30 or 100 | 30 or 100 | 30 or 100 | 30 or 100 | 30 or 100 | 30 or 100 |
| Switching Current Max. A | 0.2 or 0.4 | 0.2 or 0.4 | 0.2 or 0.4 | 0.2 or 0.4 | 0.2 or 0.4 | 0.2 or 0.4 | 0.2 or 0.4 |
| Contact Resistance Max (mOhms) | 150 | 150 | 150 | 150 | 150 | 150 | 150 |
| Cable Length Dia (mm) | 450 / 0.65 560mm Armoured | 560mm long Armoured | 560mm long Armoured | 560mm long Armoured | 560mm long Armoured | 560mm long Armoured | 560mm long Armoured |



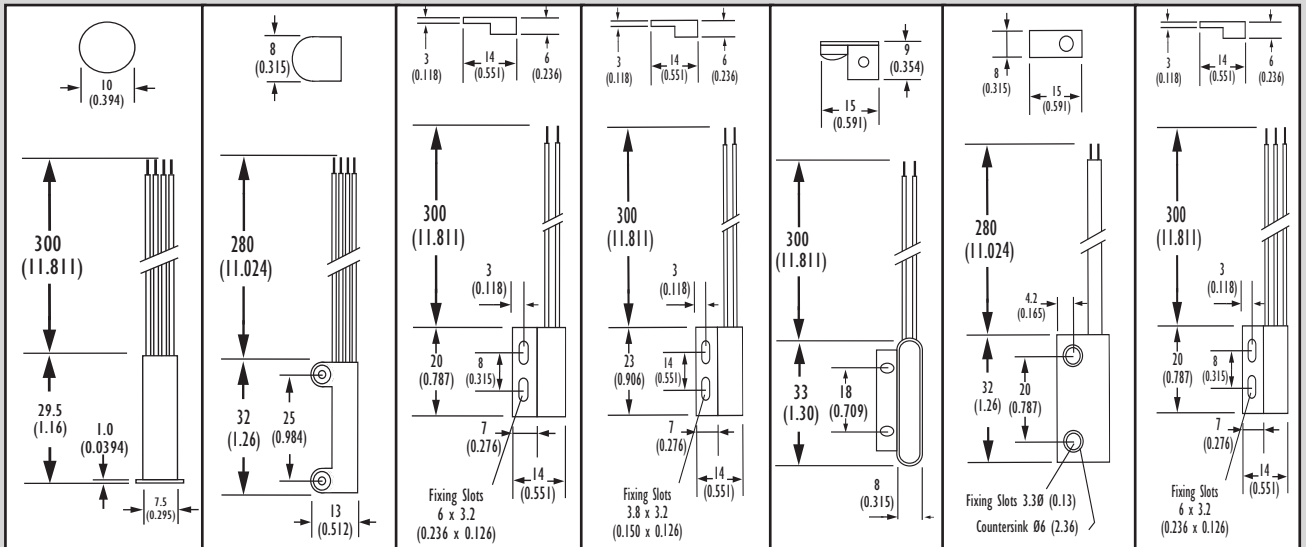


The Comus Group of Companies

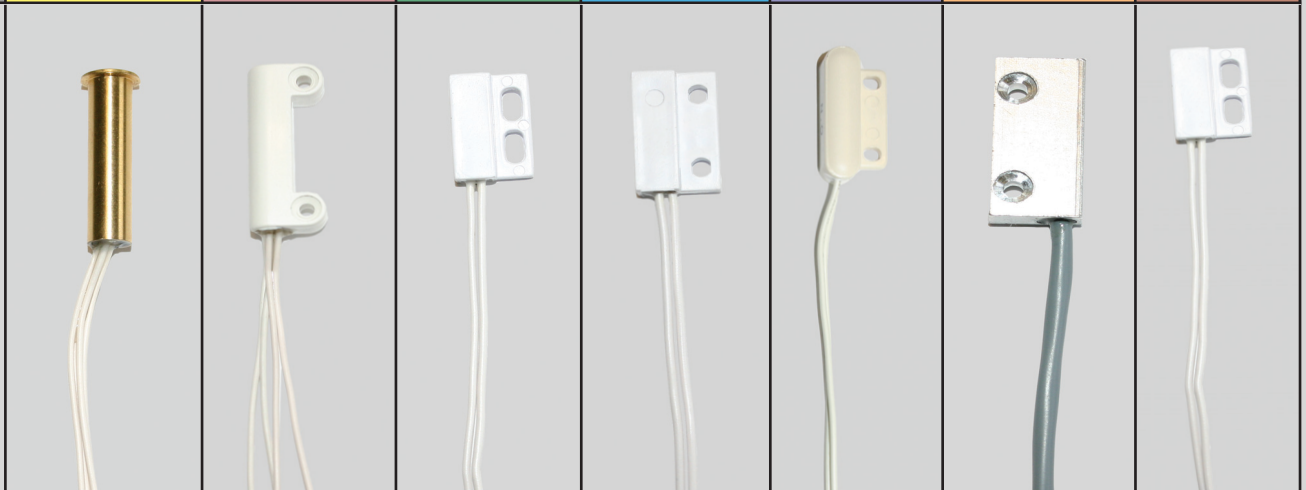
Recessed
Mount Switches

Surface
Mount Switches

* Use either
part number



| Part Number | *PRB-RB-001 / CT1002 | *PRB-SP-002 / CTE002 | LMPSA 240/30 | LMSA 240/30 | MC-12AW | *PRA-SA-003 / CTC012 | LMPSB 130/30 |
|------------------------------------|-----------------------------|-------------------------|--|--|----------------------------------|-----------------------------|--|
| Options & Features | Heavy duty rugged enclosure | Also available in Brown | Left and right hand versions available Smallest available Proximity | Left and right hand versions available | Also available in Black and Grey | Heavy duty rugged enclosure | Left and right hand versions available |
| Reed Form | N/C | N/C | N/O | N/O | N/O | N/O | N/C |
| Loop Type | | | | | | | |
| Suggested Magnet (See magnets) | * PRM-RB-001 CT1002M | * PRM-SP-001 CTE002M | LMPSM | LMSM | MC-12M | * PRM-SA-002 CTCM | LMPSM |
| Switching Distances Available (mm) | 12 | 18 | 5 | 10 | 12 | 10 | 5 |
| Switching Capacity Max. W/VA | 10 | 10 | 10 | 10 | 10 | 10 | 10 |
| Switching Voltage Max. VAC | 48 | 48 | 240 | 240 | 100 | 200 | 100 |
| Switching Current Max. A | 0.5 | 0.5 | 0.5 | 0.5 | 0.5 | 0.5 | 0.5 |
| Contact Resistance Max (mOhms) | 200 | 200 | 150 | 150 | 200 | 300 | 150 |
| Cable Length Dia (mm) | 300 / 0.22 | 280 / 0.22 | 300 / 0.22 | 300 / 0.22 | 300 / 0.22 | 280 / 0.14 | 300 / 0.22 |



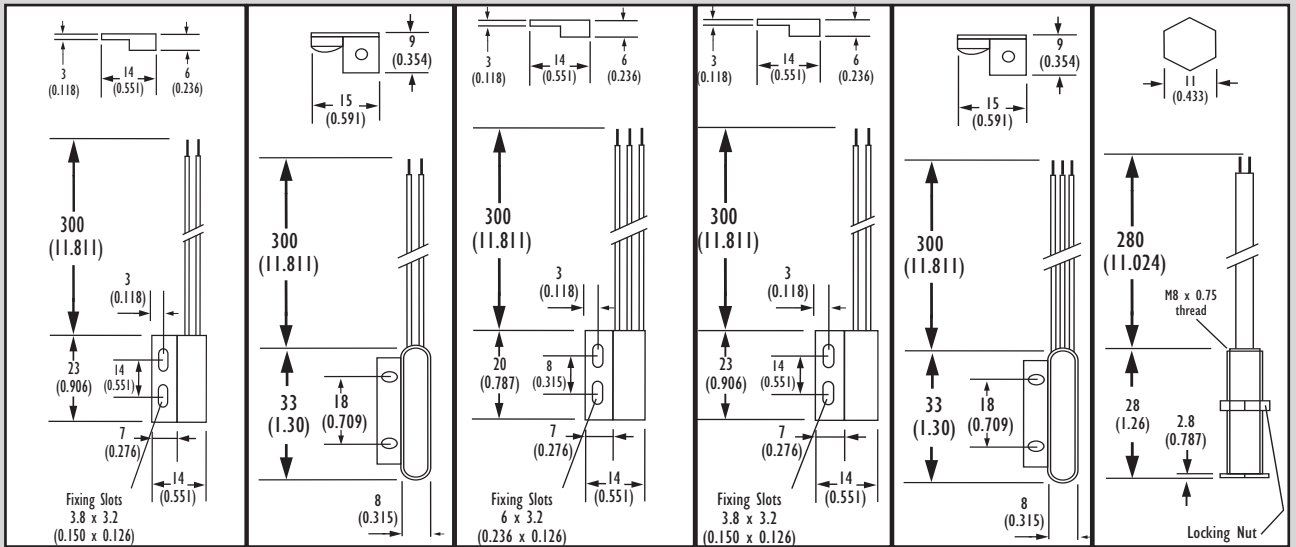


The Comus Group of Companies

Recessed
Mount Switches

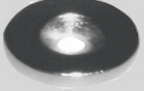

Surface
Mount Switches

* Use either
part number



| Part Number | LMSB 130/30 | MC-12BW | LMPSC 130/30 | LMSC 130/30 | MC-12CW | PRA-TB-001 |
|------------------------------------|--|----------------------------------|--|--|----------------------------------|-----------------------------|
| Options & Features | Left and right hand versions available | Also available in Black and Grey | Left and right hand versions available | Left and right hand versions available | Also available in Black and Grey | Heavy duty rugged enclosure |
| Reed Form | N/C | N/C | SPDT | SPDT | SPDT | N/O |
| Loop Type | | | | | | |
| Suggested Magnet (See magnets) | LMSM | MC-12M | LMPSM | LMSM | MC-12M | * PRM-TB-001 CT1302M |
| Switching Distances Available (mm) | 5 | 8 | 5 | 5 | 8 | 10 |
| Switching Capacity Max. W/VA | 10 | 10 | 10 | 10 | 10 | 10 |
| Switching Voltage Max. VAC | 100 | 100 | 100 | 100 | 100 | 200 |
| Switching Current Max. A | 0.5 | 0.3 | 0.5 | 0.5 | 0.3 | 0.5 |
| Contact Resistance Max (mOhms) | 150 | 200 | 150 | 150 | 200 | 200 |
| Cable Length Dia (mm) | 300 / 0.22 | 300 / 0.22 | 300 / 0.22 | 300 / 0.22 | 300 / 0.22 | 280 / 0.14 |
| | | | | | | |

Magnets

| | | | | |
|---|---|---|---|---|
|  |  |  |  |  |
| M1(3.1x9.5x22) | M2(9.5x12.7) | M3(9.5x19) | M4(9.5x12.7) | M5(6.35x12.7) |
|  |  |  |  |  |
| M6(9.5x12.7) | M7(6.35x19) | M8(12.7x6.35) | M9(9.5x6.35) | M10(6.35x25) |
|  |  |  |  |  |
| M11(9.5x9.5) | M12(9.5x12.7) | M13 | CT1002M | CTE002M |
|  |  |  |  |  |
| LMPSM | LMSM | MC-12M | CTCM | CTI302M |



The Comus Group of Companies

Global Distribution

The Comus group has offices located in the USA, Europe and India as well as more than forty agents around the world. For your local agent please see the list available on the companies website.



Comus International
New Jersey
U.S.A.



Assemtech Europe Ltd
Essex
ENGLAND



Comus Technology BV
Herleen
The Netherlands



Comus International BVBA
Tongeren



STG
Chennai
India



The Comus Group of Companies

The Comus International group of companies consists of:



Comus International
454 Allwood Road
Clifton
New Jersey 07012
U.S.A

Tel: (1)973 - 777 - 6900
Fax: (1)973 - 777 - 8405
email: info@comus-intl.com
internet: <http://www.comus-intl.com>
ISO 9001:2008
CERTIFICATE NO: 03-12314



Assemtech Europe Limited
Unit 7, Rice Bridge Industrial Estate
Thorpe - Le - Soken
Essex
England
CO16 0HL
Tel: +44 (0)1255 862236
Fax: +44 (0)1255 862014
email: sales@assemtech.co.uk
internet: <http://www.assemtech.co.uk>
ISO 9001:2008
CERTIFICATE NO: FM 21080



Comus Belgium BVBA
Overhaamlaan 40
B-3700 Tongeren
Belgium

Tel: +32 (0)12 390400
Fax: +32 (0)12 235754
email: info@comus.be
internet: <http://www.comus.be>



Comus Technologies BV
Jan Campertstraat 11
6416 SG Heerlen,
The Netherlands

Tel: +31 (0) 45 5439345
Fax: +31 (0) 45 5427216
email: jperez@comus-intl.com (USA, Canada)
G.Kemper@comus.be (Europe, Asia)



Switching Technologies Gunther
B-9, B-10, & C-1 Special Economic Zone (MEPZ)
Kadapperi
Tambaram
Chennai 600 045
India



Comus Electronics and Technologies
India Private Limited
No 3. Kamaraj Nagar 2nd Street
Tambaram Sanatorium
Chennai 600045
India

Tel: +91 44 43219090
Fax: +91 44 22628198
email: P.Ramesh@stg-india.com
chudan@comus-intl.com
Website: <http://www.comusindia.com>



Please scan this quick response code with your QR enabled smartphone



Our Switch Ranges:

We now have a comprehensive range of switches including: Reed Switches, Tilt Switches, Proximity Switches and Magnets, Electronic Proximity Switches, Non Mercury Tilt, Tip Over and Acceleration Switches, Float Switches, Glass Mercury and Mercury Switches.