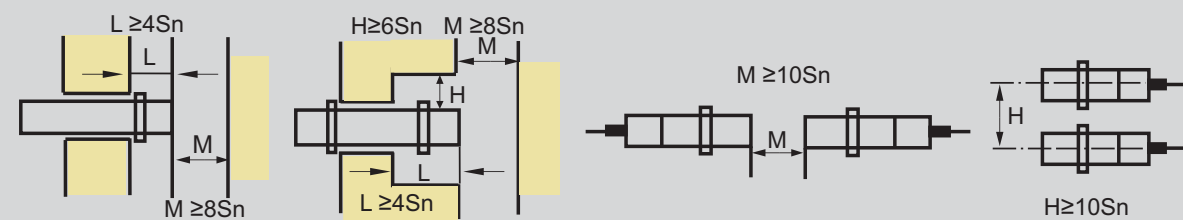


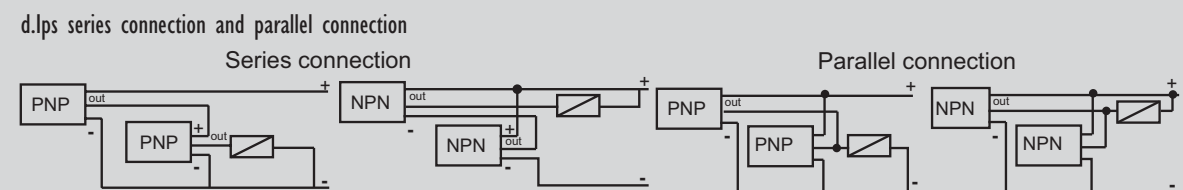
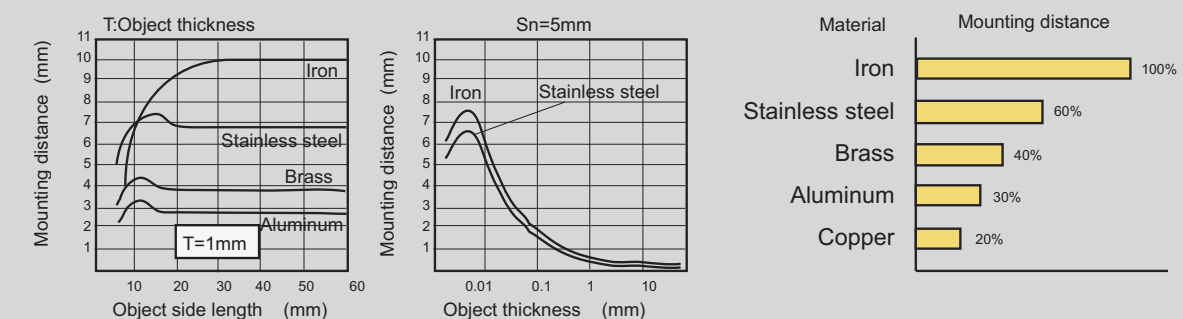
4.INSTALLATION

If used in an area surrounded by metal, Install the proximity Sensor as follows . (Sn = Sensing distance)



5. INDUCTIVE PROXIMITY APPLICATION DIRECTION

- a. Set mounting distance roughly equal to 80% of Sn.
- b. Set mounting distance roughly equal to 50% of Sn when sensor is used in high frequency or high speed circumstances.
- c. Mounting distance will change depending on material (iron, stainless steel ,brass, copper and aluminum).



The Comus International group of companies consists of:



Comus International
454 Allwood Road
Clifton
New Jersey 07012
U.S.A

Tel: (1)973 - 777 - 6900
Fax:(1)973 - 777 - 8405
email: info@comus-intl.com
Website: http://www.comus-intl.com



Assemtech Europe Limited
Unit 7, Rice Bridge Industrial Estate
Thorpe - Le - Soken
Essex
England
CO16 0HL

Tel: +44 (0)1255 862236
Fax: +44 (0)1255 862014
email: sales@assemtech.co.uk
Website: http://www.assemtech.co.uk



Comus Belgium BVBA
Overhaamlaan 40
B-3700 Tongeren
Belgium

Tel: +32 (0)12 390400
Fax: +32 (0)12 235754
email: info@comus.be
Website: http://www.comus.be



Comus International SARL
Immeuble 'Les Juilliottes
31 Cours des Juilliottes
F-94700 Maisons-Alfort
France

Tel: +33 (0)1 43 96 86 10
Fax: +33 (0)1 43 96 86 11
email: info@comus.fr
Website: http://www.comus.fr



Switching Technologies Gunther
B-9, B-10, & C-1 Special Economic Zone (MEPZ)
Kadapperi
T Nagar
Chennai 600 045
India

Tel: +91 44 22628093
Fax: +91 44 22628271
email: stgtd@eth.net



Comus Electronics and Technologies India
Private Limited
No 26. Crescent Park Street
T Nagar
Chennai 600 017
India

Tel: +91 44 42127124
Fax: +91 44 42127125
email: syed@comus-intl.com
venkataraman@comus-intl.com
Website: http://www.comusindia.com

Inductive Proximity Sensors Threaded Series

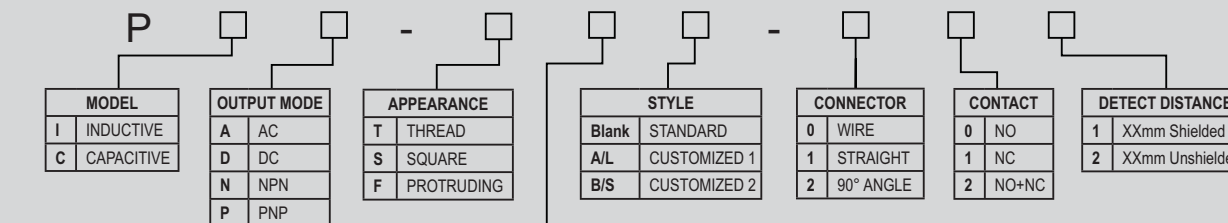


Thankyou for choosing Comus International sensors. Before installing and operating the sensor(s), please take a moment to read this instruction leaflet carefully. For any questions, please contact our sales team.

1.FEATURES

- Inductive and Capacitive proximity sensors.
- Style: cylinder (threaded) is available for M5, M8, M12, M18, and M30.
- * Let us know if you need instructions for another proximity sensor type.
- Shielded or unshielded types
- DC 2-wire (10-30V DC), DC 3-wire(10-30V DC), DC 4-wire(10-30V DC),AC 2-wire (90-250 AC) type .
- Connection mode: 2/3/4 wire or 2/3/4 pin connector
- Mounting distance (shielded/unshielded):
M5(1mm), M8(1/2mm), M12(2/4mm), M18(5/8mm), M30(10/15mm)
- LED operation indicator, easily identifiable.
- Overload, short circuit protection; against polarity reversal
- Protection rate: IP67 (IP8 ratings can be specially ordered)
- Housing: Brass, chrome plated, resistant to oil, water acid, and alkalines etc.
Brass nickel plated or ABS for M12, M18 and M30
- Standard sensing object: Inductive sensor: ferrous metals; Capacitive sensor: metal or non-metalic objects.
- Widely applied in measuring, Counting, Rpm measuring in mechanisms, chemical, paper manufacture, light industry, etc

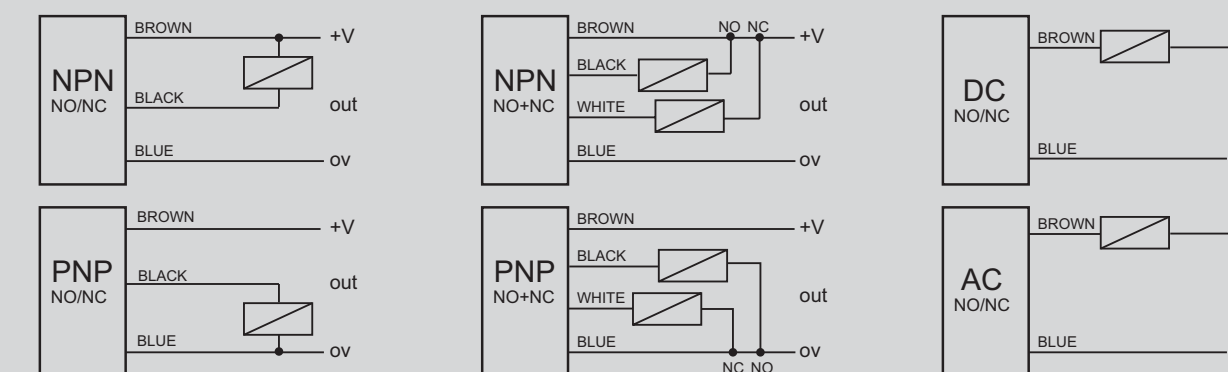
2.ORDERING CODE



THREAD DIMENSION	SQUARED DIMENSION	PROTRUDING DIMENSION			
5	M5 Cylinder	17	17mm Square	36	36mm Diameter
8	M8 Cylinder	18	18mm Square	42	42mm Diameter
12	M12 Cylinder	20	20mm Square	47	47mm Diameter
18	M18 Cylinder	30	30mm Square	50	50mm Diameter
30	M30 Cylinder	40	40mm Square	54	54mm Diameter
		41	41mm Square	60	60mm Diameter
				80	80mm Diameter
				100	100mm Diameter
				120	120mm Diameter

For special request sensors (i.e.appearance, function), please indicate when order.

3.CONNECTION



All dimensions are nominal, in millimetres unless otherwise stated. If further information is required, individual datasheets are available on our websites, and on CD. As part of the group's policy of continued product improvement, specifications may change without notice. Our sales office will be pleased to help you with the latest information on our products.

All dimensions are nominal, in millimetres unless otherwise stated. If further information is required, individual datasheets are available on our websites, and on CD. As part of the group's policy of continued product improvement, specifications may change without notice. Our sales office will be pleased to help you with the latest information on our products.

We also have a large network of worldwide agents. These can be seen on any of our websites, or on our company profile brochure.

