

# WESTSIDE SUPPLIES



Video Connectors



# CONTENTS

WESTSIDE SUPPLIES (01243) 860626

This catalogue, one of a number of product specific catalogues, contains details of our comprehensive range of individual and multi-way BNC sockets.

The Emuden range of multi-gang BNCs is a modular system and therefore adaptable to suit individual requirements; wider spacing between connectors can be achieved by leaving some mounting holes empty; different configurations can be achieved by mixing different types of BNCs in one body as required. Custom mouldings to house the BNCs are also a possibility, providing a low cost flexible option to suit every need.

For special finishes, eg gold or tin plate, please contact the sales office for advice on availability.

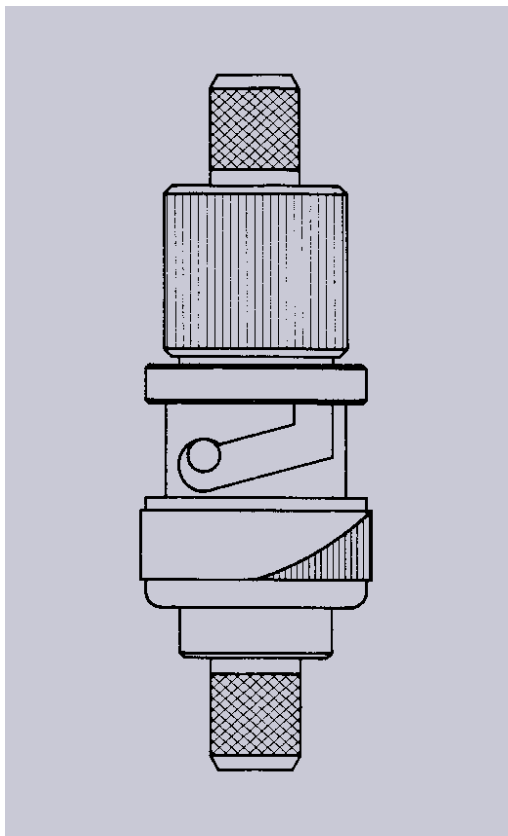
WSL are also able to source fully moulded BNC leads to customers' specifications. Although this will be subject to minimum order quantities, there is often some flexibility. Please contact the sales office for advice.

## MODULAR BNC RANGE

PART NUMBER	NUMBER OF BNCs	STRAIGHT	RIGHT ANGLED	SWITCHED	SHIELDED	CHASSIS EARTH	PAGE NUMBER
P2257	1	•					4
P2217	1	•			•		4
P2265	1		•				5
P2267	1		•			•	5
P2201A	1		•		•		5
P2201	1		•		•	•	5
P2216	1	•		•			6
T.B.A.	1	•		•	•		6
T.B.A.	1		•	•			6
T.B.A.	1		•	•	•		6
T.B.A.	1		•	•		•	6
T.B.A.	1		•	•	•	•	6
P2197B	2	•					7
P2399	2	•				•	7
P2206	2	•			•		7
T.B.A.	2	•			•	•	7
P2175	2		•				8
T.B.A.	2		•			•	8
P2183	2		•		•		8
T.B.A.	2		•		•	•	8
P2215	2	•		•			9
P2400	2	•		•		•	9
T.B.A.	2		•	•			9
T.B.A.	2		•	•	•		9
T.B.A.	2		•	•	•	•	9
T.B.A.	2		•	•	•	•	9
P2195	3	•					10
P2248	3	•			•		10
P2191	3		•				11
P2258	3		•		•		11
P2246A	3	•		•			12
T.B.A.	3	•		•	•		12
T.B.A.	3		•	•	•		12
T.B.A.	3		•	•	•	•	12
P2189A	4	•					13
P2244A	4	•			•		13
P2209	4		•				14
P2263	4		•		•		14
P2194	4	•					15
P2243	4	•		•	•		15
T.B.A.	4		•	•	•		15
T.B.A.	4		•	•	•		15
P2231	5	•					16
P2338	5	•			•		16
P2158	5		•				17
P2303A	5		•		•		17
T.B.A.	5	•		•	•		18
T.B.A.	5	•		•	•		18
T.B.A.	5		•	•	•		18
T.B.A.	5		•	•	•		18

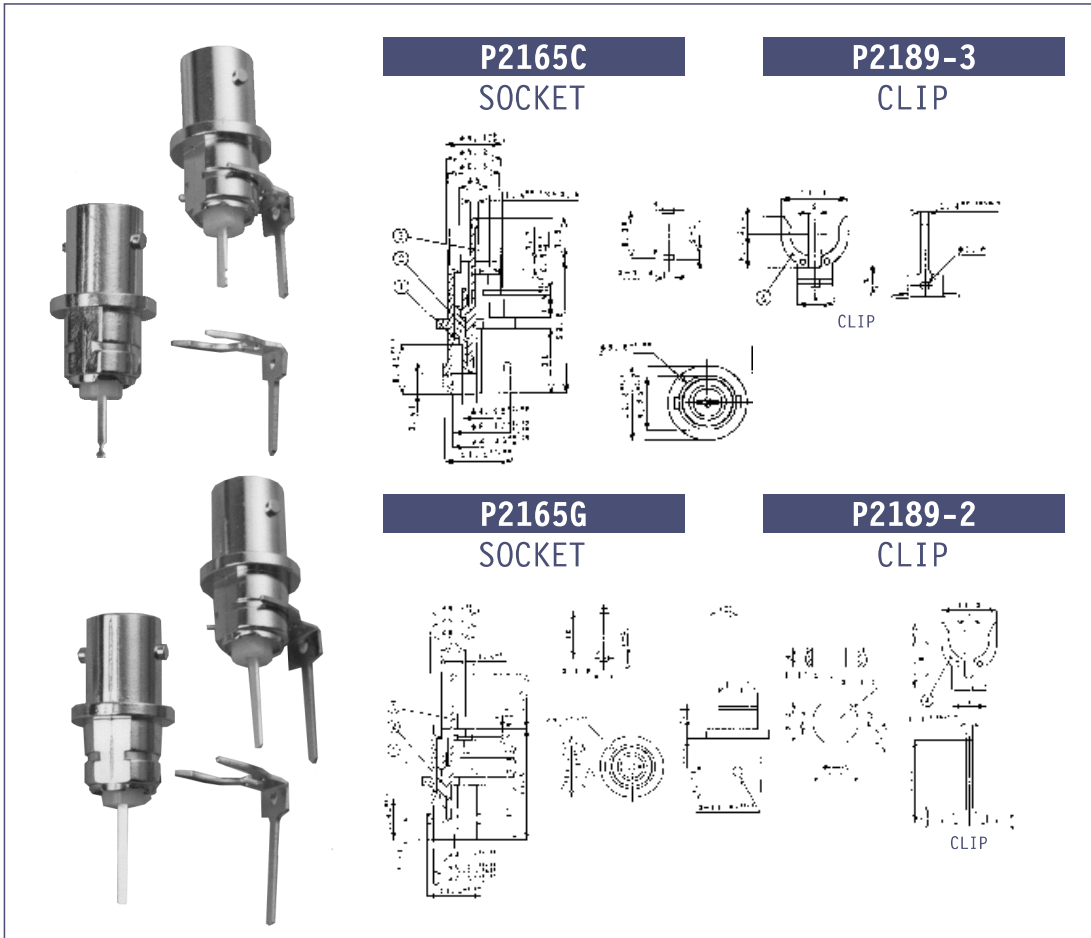
## OTHER BNCs

Part No		Page No
P2375	Dual height BNC lower switched	19
P2341	Dual height BNC lower switched shielded	19
DB901VAK	Dual height isolated straight without filter	20
DB903VAK	Dual height isolated straight with filter	20
DB950V	Dual height all metal BNC	20
DB901AK	Dual height isolated R/A without filter	20
DB903AK	Dual height isolated R/A with filter	20
DB950K	Dual height all metal BNC	20
WP211	Dual height BNC	21
WB141	Dual height BNC/SVHS shielded	21
B0096	Straight BNC/SVHS combination	22
BNC4900	Straight PCB mount short BNC	23
BNC4910	Straight PCB mount long BNC	23
BNC4310	Chassis mount BNC	24
BNC4330	Chassis mount BNC isolated earth	24
BNC500	Isolated R/A PCB mount BNC	25
BNC510	Isolated straight PCB mount BNC	25
B911	Isolated R/A surface mount BNC	26
P2270	Straight low profile PCB mount BNC	22
IAJ03	R/A all metal BNC not switched	26
IAJ03-01	R/A all metal BNC switched	26

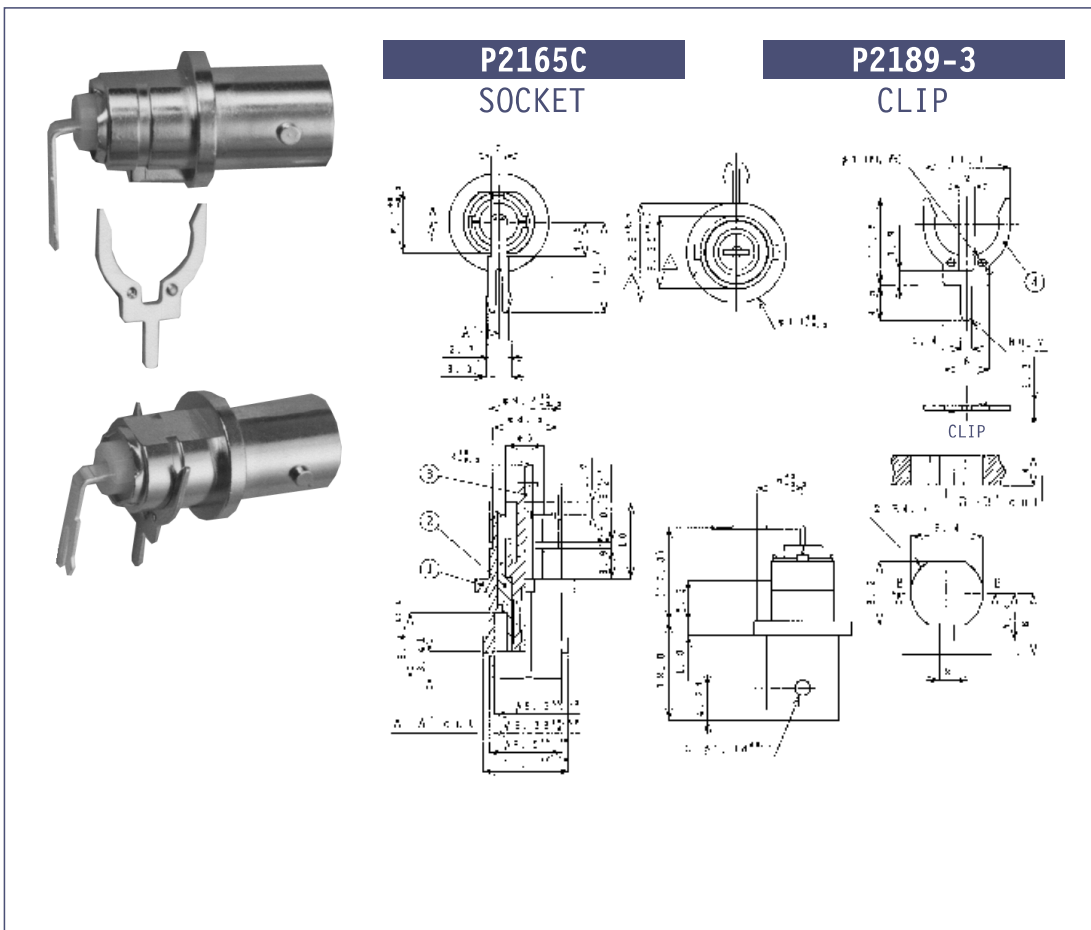


# INDIVIDUAL BNC SOCKETS

FOR USE IN EMUDEN GANGED BNC MODULAR SYSTEM



STRAIGHT PCB MOUNT



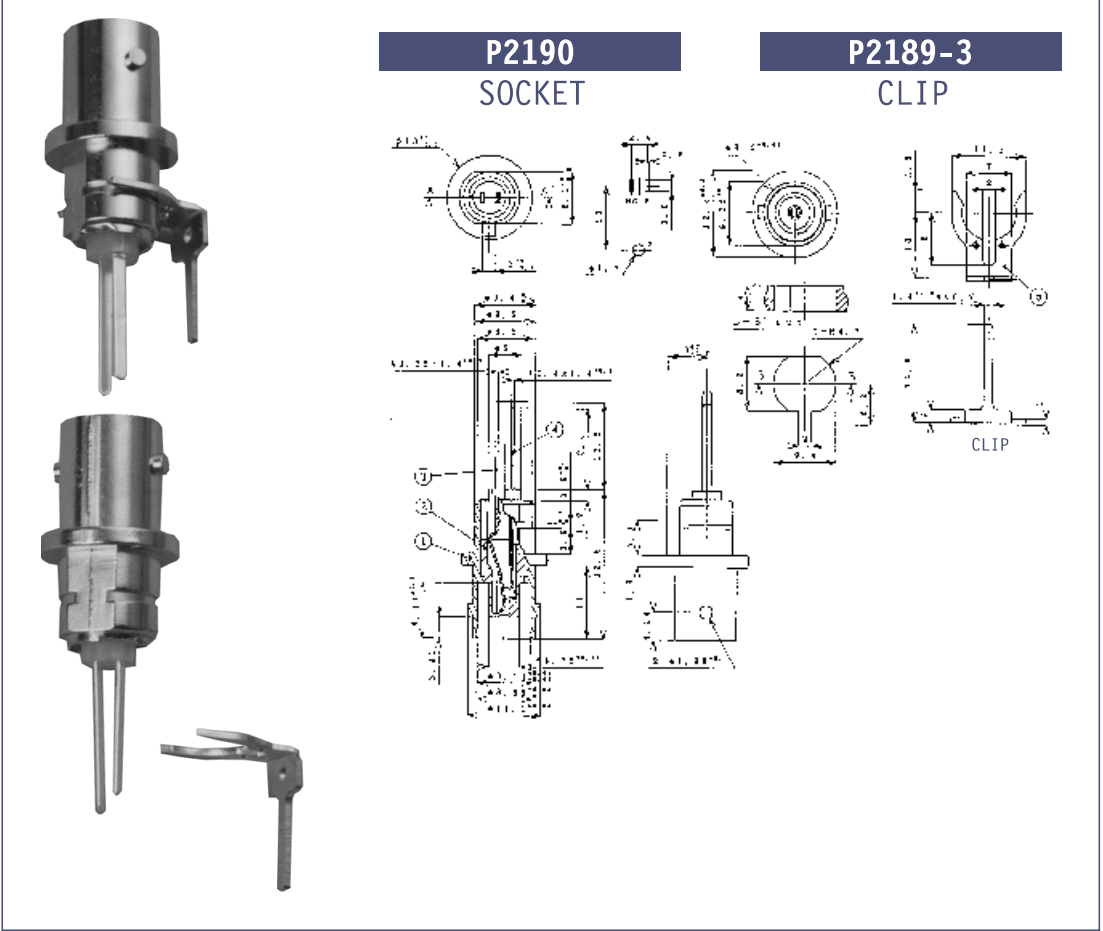
RIGHT ANGLED PCB MOUNT



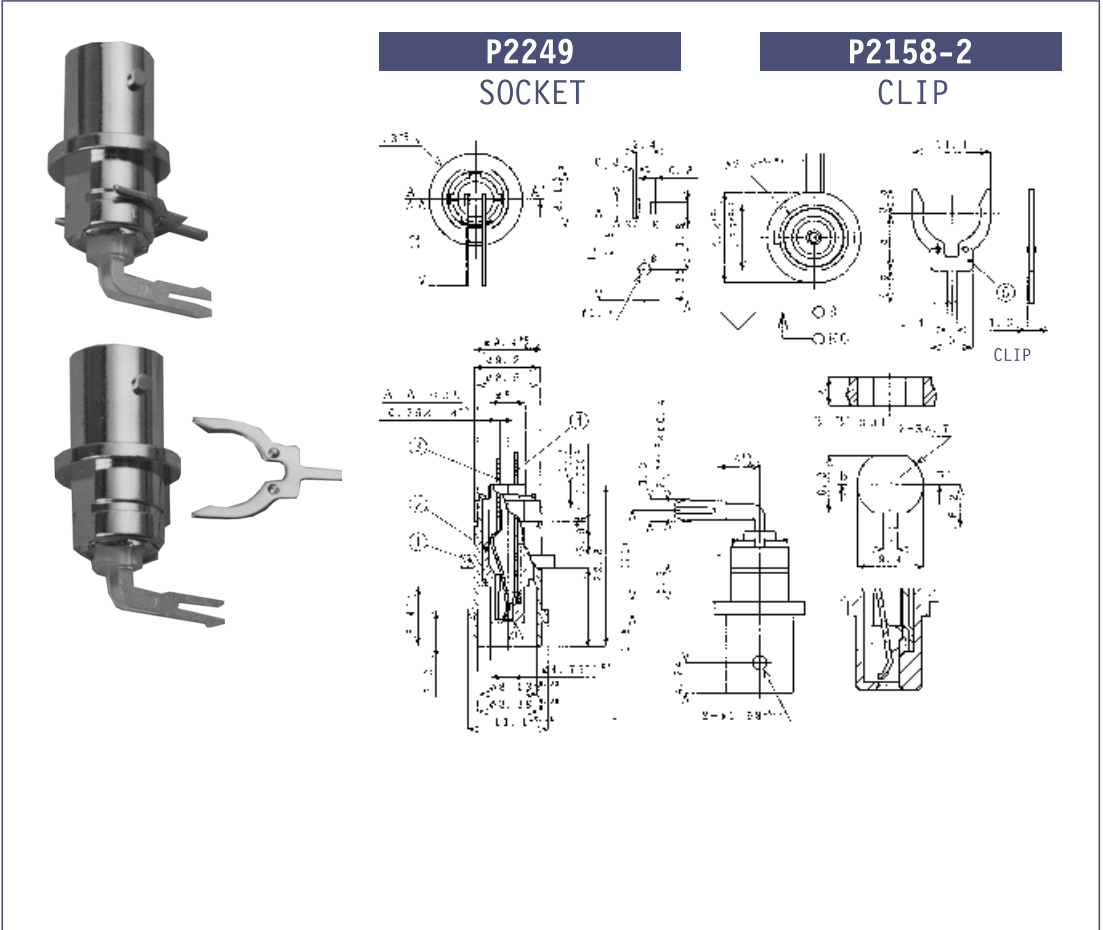
# INDIVIDUAL BNC SOCKETS

FOR USE IN EMUDEN GANGED BNC MODULAR SYSTEM

STRAIGHT SWITCHED PCB MOUNT



RIGHT ANGLED SWITCHED PCB MOUNT



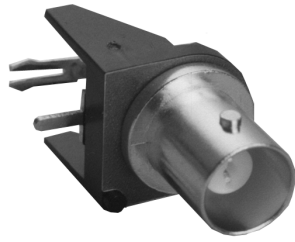




# SINGLE GANG BNC SOCKETS

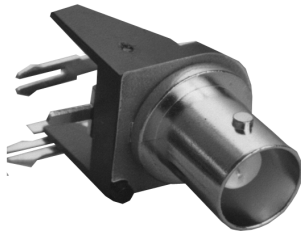
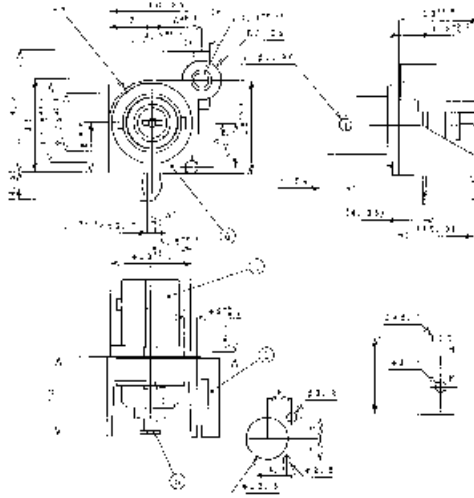
WESTSIDE SUPPLIES (01243) 860626

RIGHT ANGLED UNSHIELDED



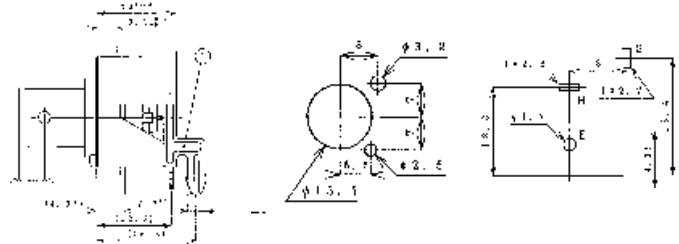
**P2265**

**NO CHASSIS EARTH**



**P2267**

**WITH CHASSIS EARTH**

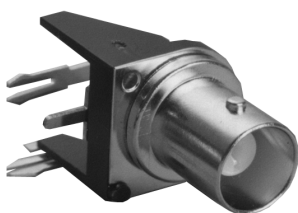
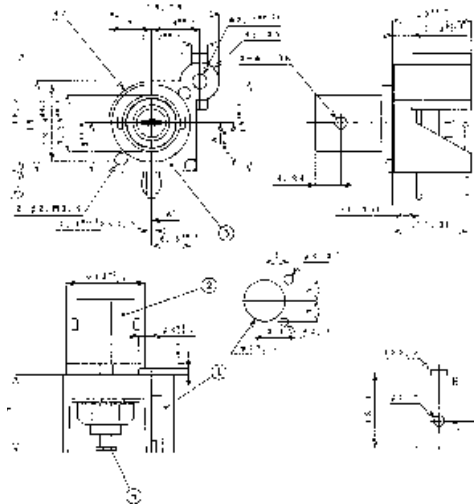


RIGHT ANGLED SHIELDED



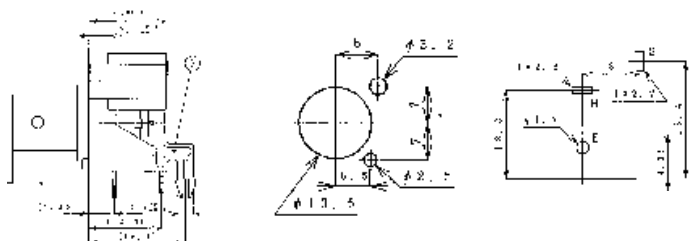
**P2201A**

**NO CHASSIS EARTH**



**P2201**

**WITH CHASSIS EARTH**



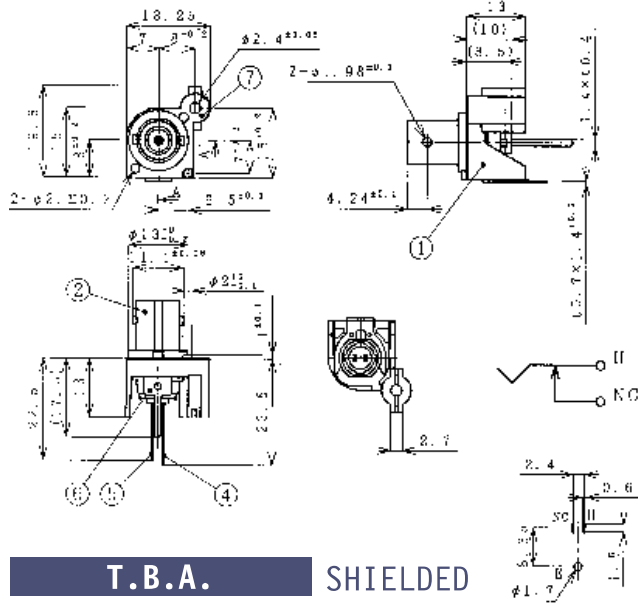
# SINGLE GANG BNC SOCKETS

WESTSIDE SUPPLIES (01243) 860626



**P2216**

**UNSHIELDED**



**T.B.A.**

**SHIELDED**

No part number or drawing is available for this item, as the manufacturer has not previously supplied this particular configuration. However, we have included the product as it is a modular system.

If you are interested in this item, please contact the sales office. Part numbers will be allocated and drawings issued if the item is to be used in production.

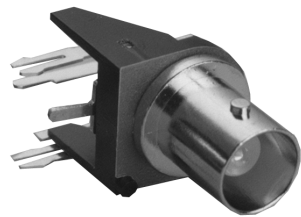
**STRAIGHT SWITCHED**



**T.B.A.** **NO CHASSIS EARTH**  
**AVAILABLE WITH OR WITHOUT SHIELD**

No part number or drawing is available for this item, as the manufacturer has not previously supplied this particular configuration. However, we have included the product as it is a modular system.

If you are interested in this item, please contact the sales office. Part numbers will be allocated and drawings issued if the item is to be used in production.



**T.B.A.** **WITH CHASSIS EARTH**  
**AVAILABLE WITH OR WITHOUT SHIELD**

No part number or drawing is available for this item, as the manufacturer has not previously supplied this particular configuration. However, we have included the product as it is a modular system.

If you are interested in this item, please contact the sales office. Part numbers will be allocated and drawings issued if the item is to be used in production.

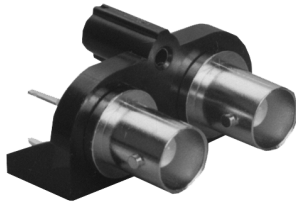
**RIGHT ANGLED SWITCHED**



# TWO WAY BNC SOCKETS

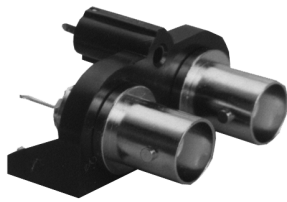
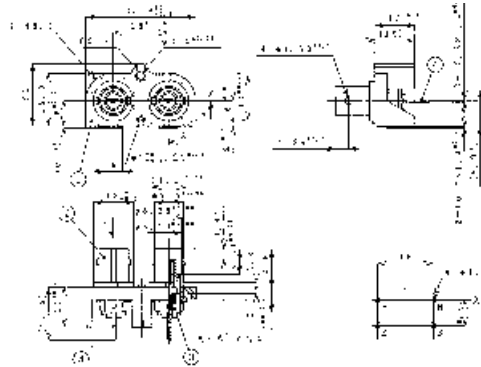
WESTSIDE SUPPLIES (01243) 860626

STRAIGHT UNSHIELDED



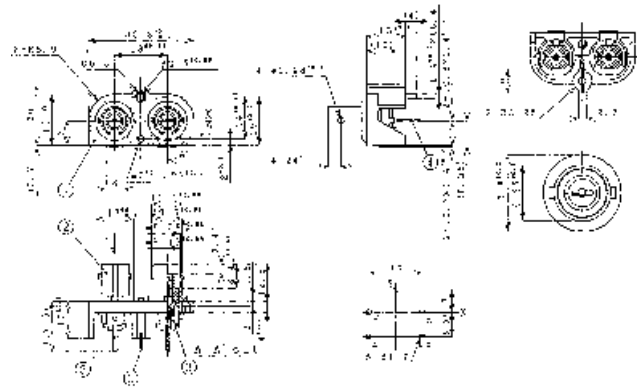
**P2197B**

**NO CHASSIS EARTH**

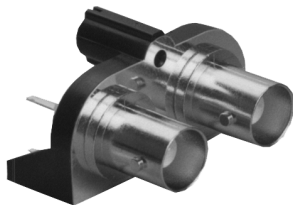


**P2399**

**WITH CHASSIS EARTH**

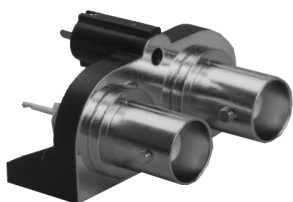
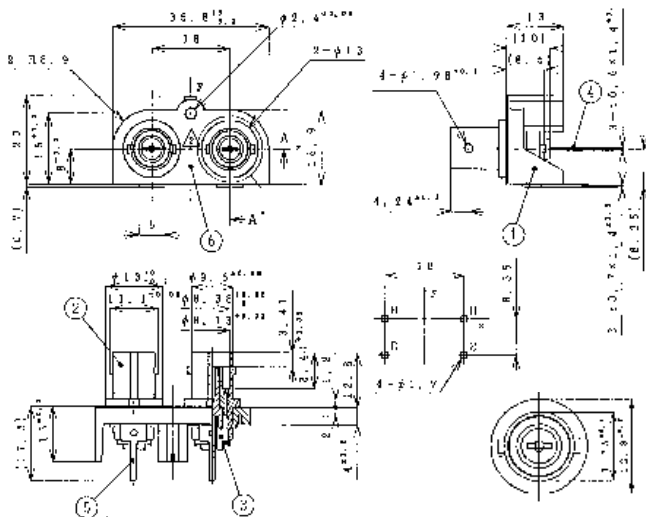


STRAIGHT SHIELDED



**P2206**

**NO CHASSIS EARTH**



**T.B.A.**

**WITH CHASSIS EARTH**

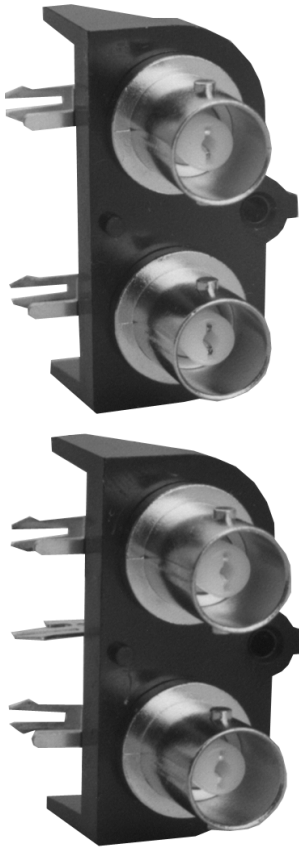
No part number or drawing is available for this item, as the manufacturer has not previously supplied this particular configuration. However, we have included the product as it is a modular system.

If you are interested in this item, please contact the sales office. Part numbers will be allocated and drawings issued if the item is to be used in production.



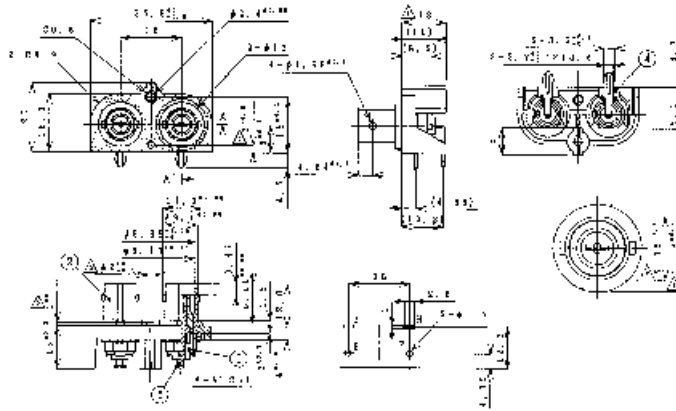
# TWO WAY BNC SOCKETS

WESTSIDE SUPPLIES (01243) 860626



**P2175**

**NO CHASSIS EARTH**



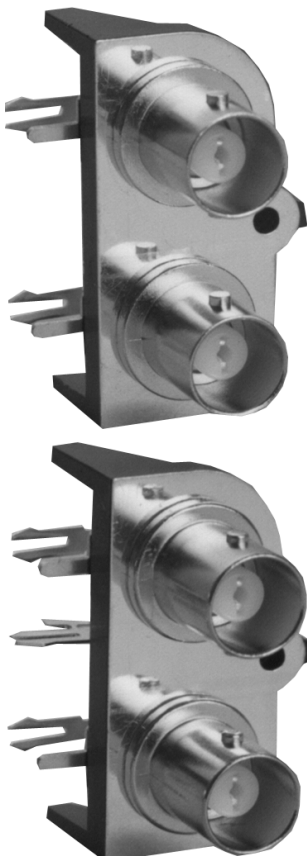
**T.B.A.**

**WITH CHASSIS EARTH**

No part number or drawing is available for this item, as the manufacturer has not previously supplied this particular configuration. However, we have included the product as it is a modular system.

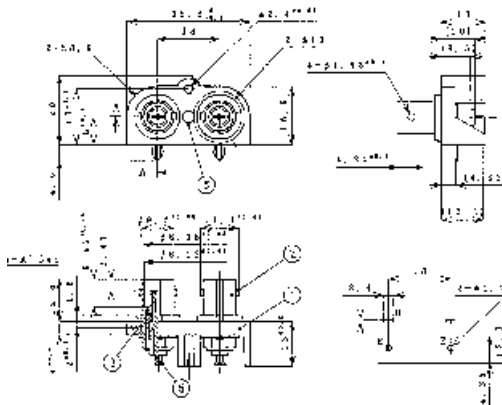
If you are interested in this item, please contact the sales office. Part numbers will be allocated and drawings issued if the item is to be used in production.

**RIGHT ANGLED UNSHIELDED**



**P2183**

**NO CHASSIS EARTH**



**T.B.A.**

**WITH CHASSIS EARTH**

No part number or drawing is available for this item, as the manufacturer has not previously supplied this particular configuration. However, we have included the product as it is a modular system.

If you are interested in this item, please contact the sales office. Part numbers will be allocated and drawings issued if the item is to be used in production.

**RIGHT ANGLED SHIELDED**



# TWO WAY BNC SOCKETS

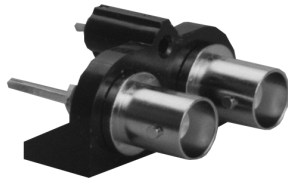
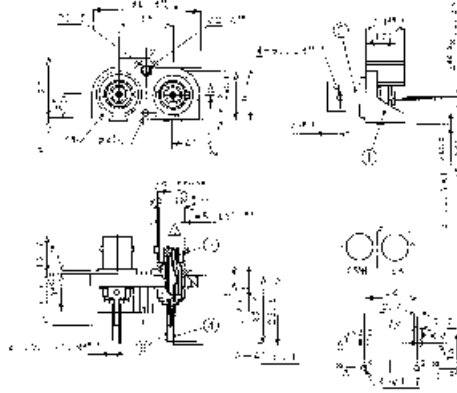
WESTSIDE SUPPLIES (01243) 860626

STRAIGHT SWITCHED UNSHIELDED



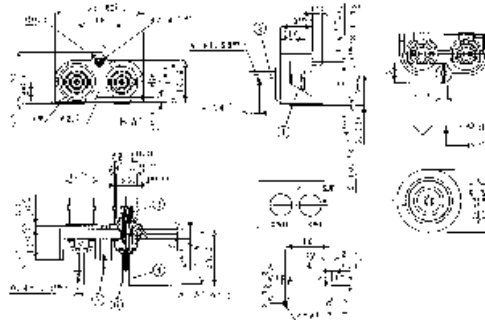
**P2215**

**NO CHASSIS EARTH**

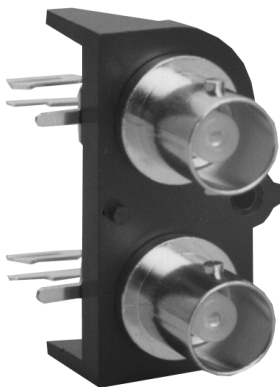


**P2400**

**WITH CHASSIS EARTH**



RIGHT ANGLED SWITCHED



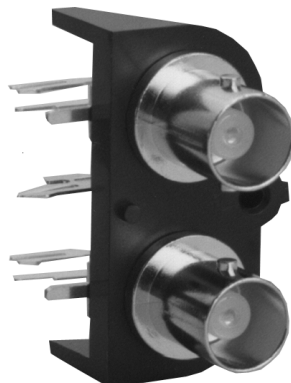
**T.B.A.**

**NO CHASSIS EARTH**

AVAILABLE WITH OR WITHOUT SHIELD

No part number or drawing is available for this item, as the manufacturer has not previously supplied this particular configuration. However, we have included the product as it is a modular system.

If you are interested in this item, please contact the sales office. Part numbers will be allocated and drawings issued if the item is to be used in production.



**T.B.A.**

**WITH CHASSIS EARTH**

AVAILABLE WITH OR WITHOUT SHIELD

No part number or drawing is available for this item, as the manufacturer has not previously supplied this particular configuration. However, we have included the product as it is a modular system.

If you are interested in this item, please contact the sales office. Part numbers will be allocated and drawings issued if the item is to be used in production.



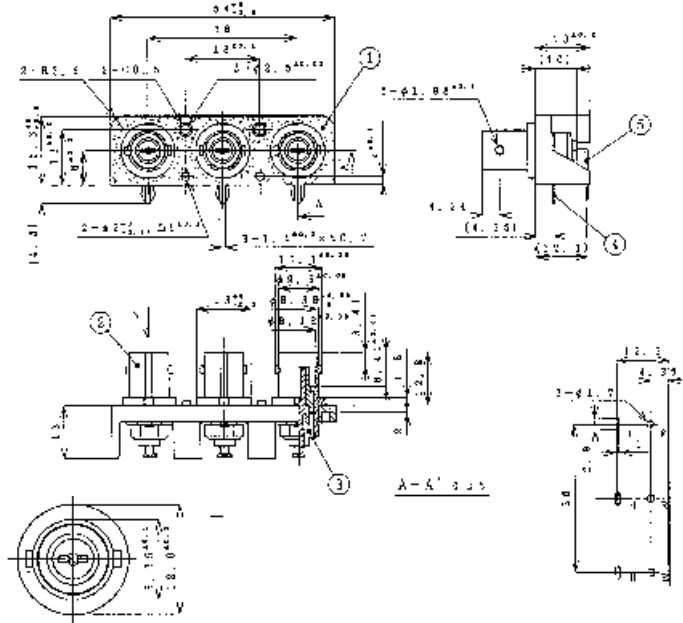
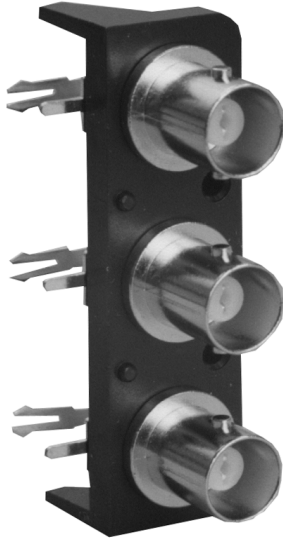


# THREE WAY BNC SOCKETS

WESTSIDE SUPPLIES (01243) 860626

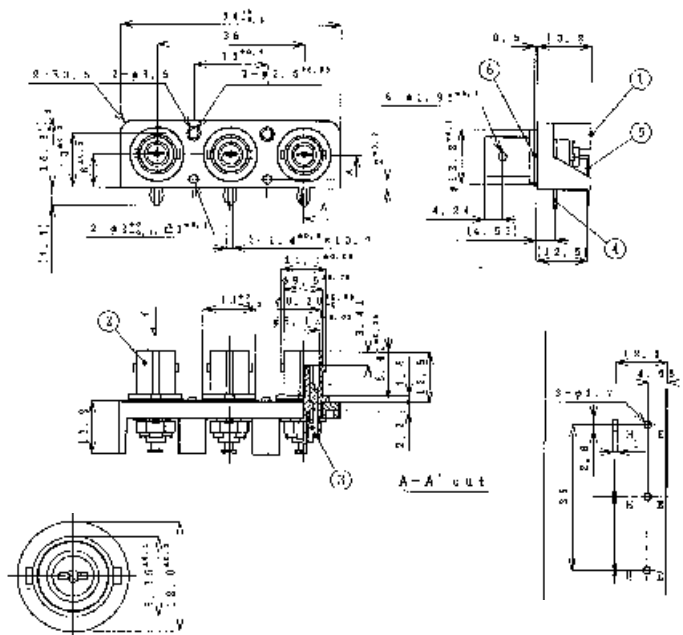
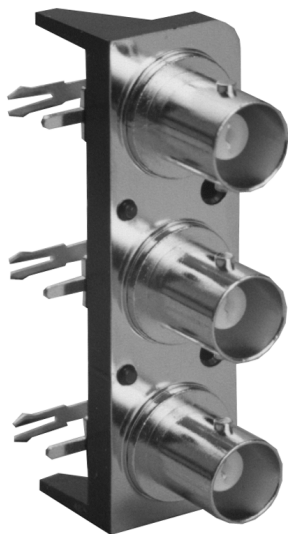
RIGHT ANGLED UNSHIELDED

P2191



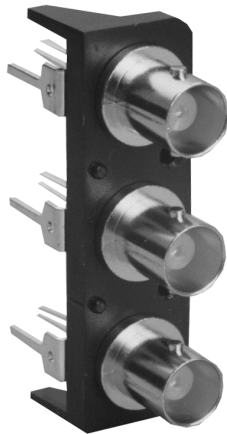
RIGHT ANGLED SHIELDED

P2258



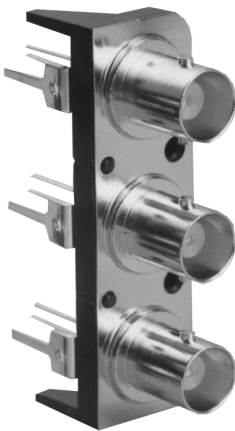
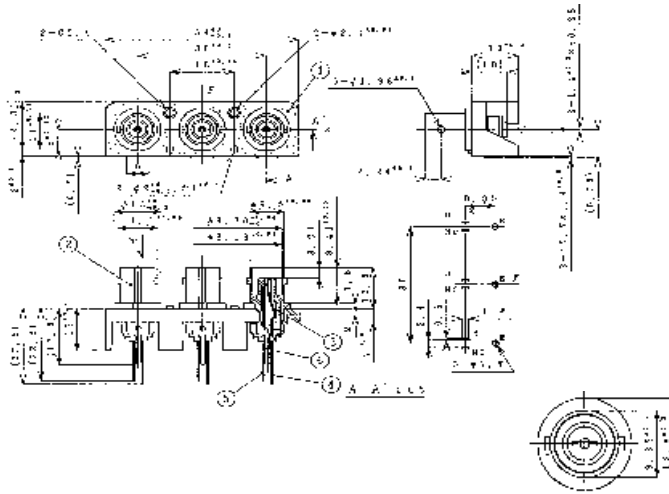
# THREE WAY BNC SOCKETS

WESTSIDE SUPPLIES (01243) 860626



**P2246A**

**UNSHIELDED**

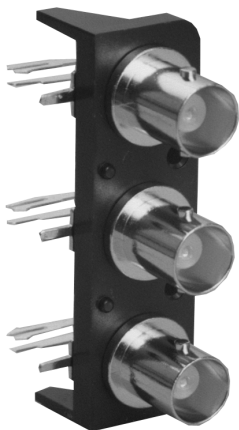


**T.B.A.**

**SHIELDED**

No part number or drawing is available for this item, as the manufacturer has not previously supplied this particular configuration. However, we have included the product as it is a modular system.

If you are interested in this item, please contact the sales office. Part numbers will be allocated and drawings issued if the item is to be used in production.

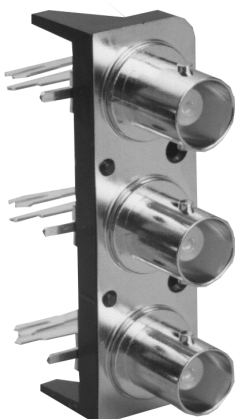


**T.B.A.**

**UNSHIELDED**

No part number or drawing is available for this item, as the manufacturer has not previously supplied this particular configuration. However, we have included the product as it is a modular system.

If you are interested in this item, please contact the sales office. Part numbers will be allocated and drawings issued if the item is to be used in production.



**T.B.A.**

**SHIELDED**

No part number or drawing is available for this item, as the manufacturer has not previously supplied this particular configuration. However, we have included the product as it is a modular system.

If you are interested in this item, please contact the sales office. Part numbers will be allocated and drawings issued if the item is to be used in production.

STRAIGHT SWITCHED

RIGHT ANGLED SWITCHED

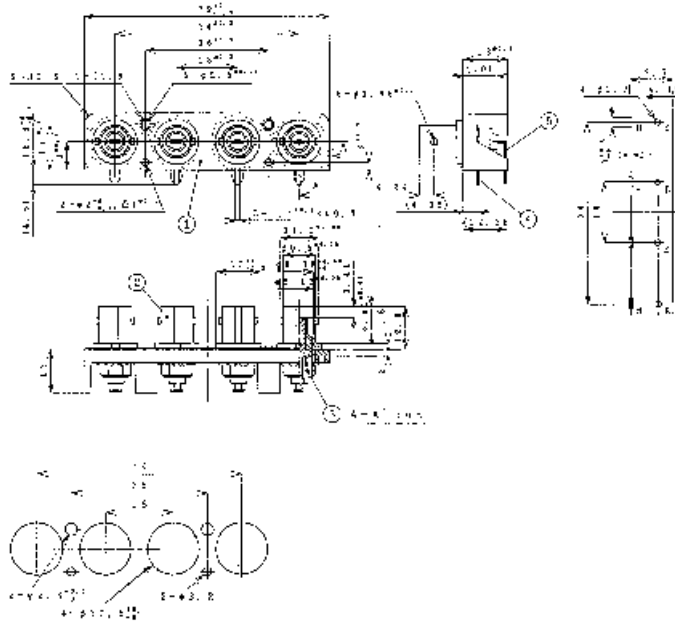
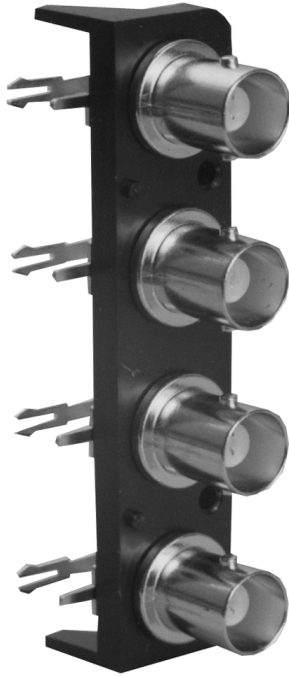


# FOUR WAY BNC SOCKETS

WESTSIDE SUPPLIES (01243) 860626

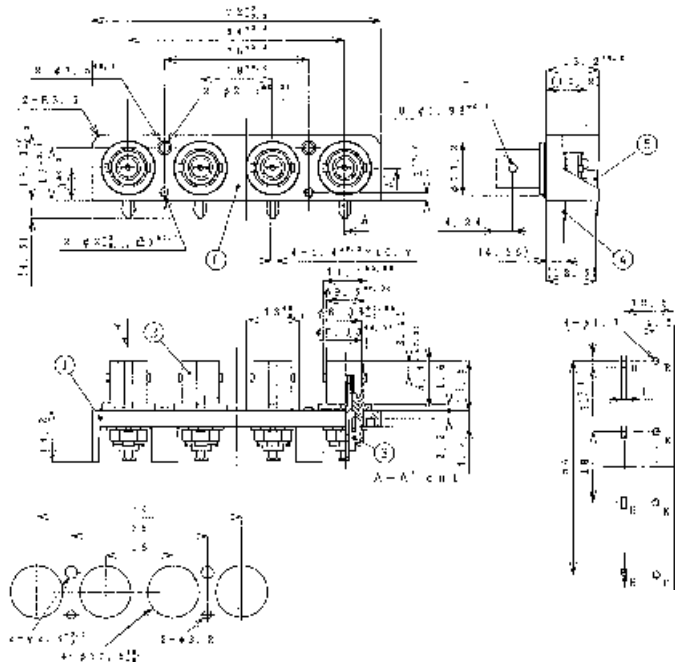


P2209



RIGHT ANGLED UNSHIELDED

P2263



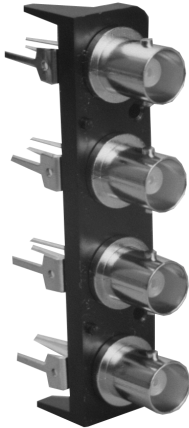
RIGHT ANGLED SHIELDED



# FOUR WAY BNC SOCKETS

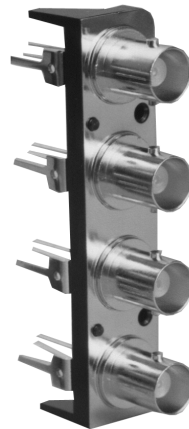
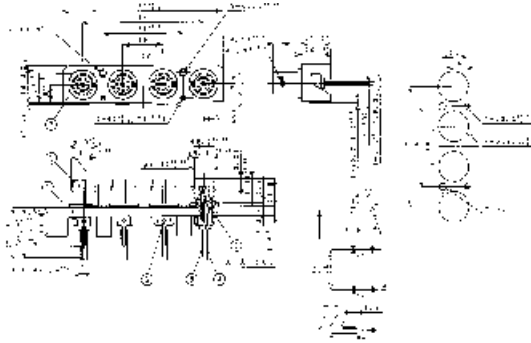
WESTSIDE SUPPLIES (01243) 860626

STRAIGHT SWITCHED



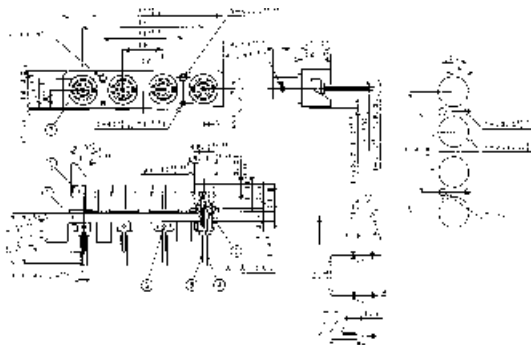
**P2194**

**UNSHIELDED**

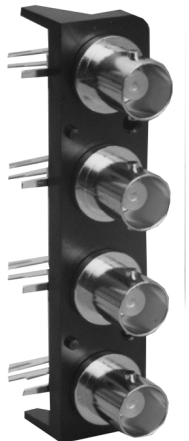


**P2243**

**SHIELDED**



RIGHT ANGLED SWITCHED

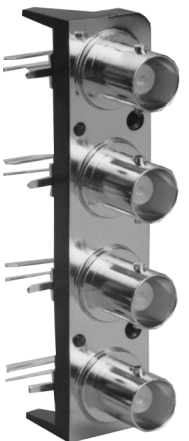


**T.B.A.**

**UNSHIELDED**

No part number or drawing is available for this item, as the manufacturer has not previously supplied this particular configuration. However, we have included the product as it is a modular system.

If you are interested in this item, please contact the sales office. Part numbers will be allocated and drawings issued if the item is to be used in production.



**T.B.A.**

**SHIELDED**

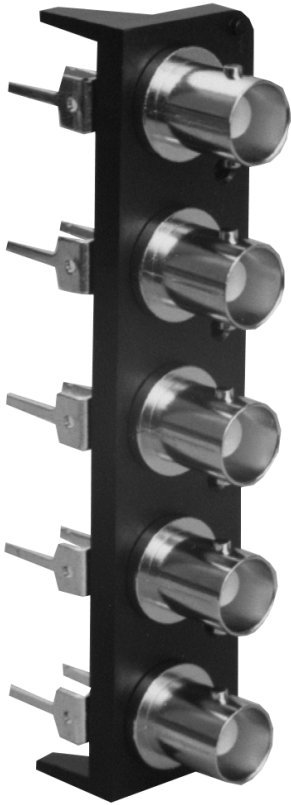
No part number or drawing is available for this item, as the manufacturer has not previously supplied this particular configuration. However, we have included the product as it is a modular system.

If you are interested in this item, please contact the sales office. Part numbers will be allocated and drawings issued if the item is to be used in production.

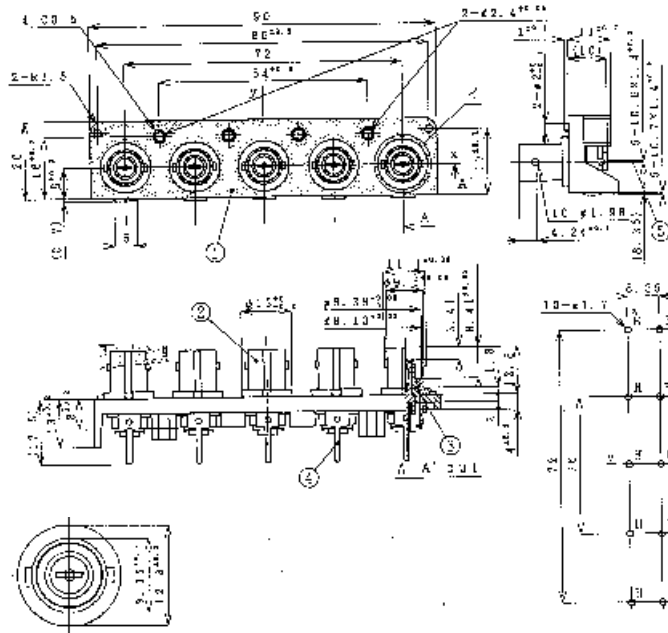


# FIVE WAY BNC SOCKETS

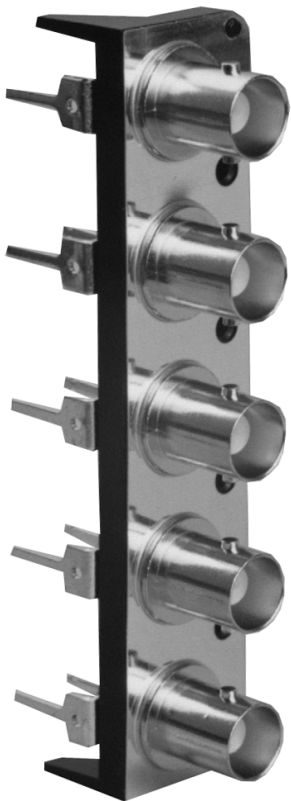
WESTSIDE SUPPLIES (01243) 860626



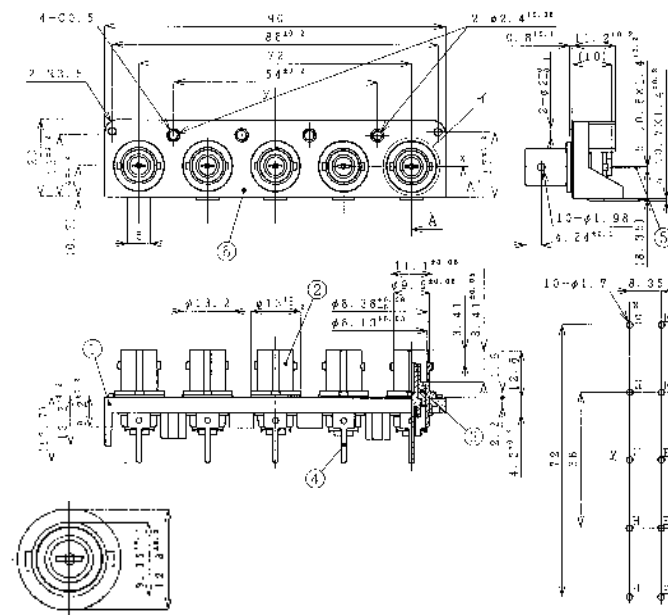
P2231



STRAIGHT UNSHIELDED



P2338

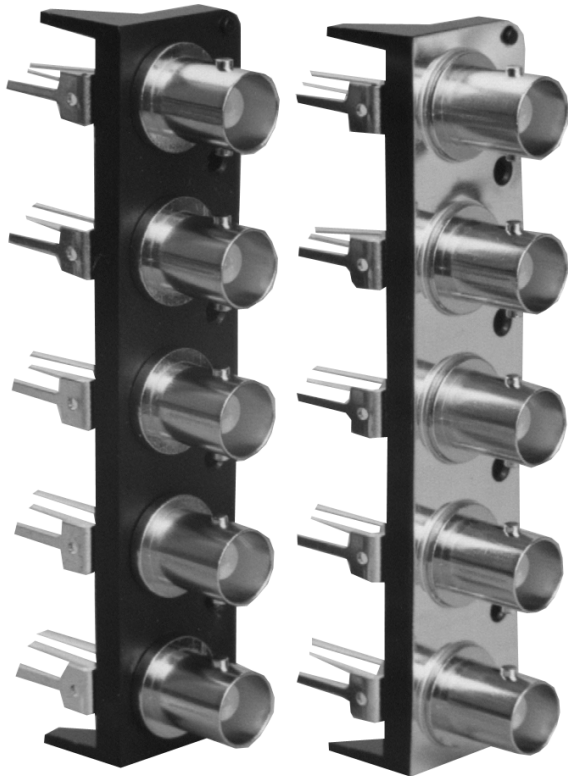


STRAIGHT SHIELDED



# FIVE WAY BNC SOCKETS

WESTSIDE SUPPLIES (01243) 860626



(A)

(B)

**T.B.A. (A)**

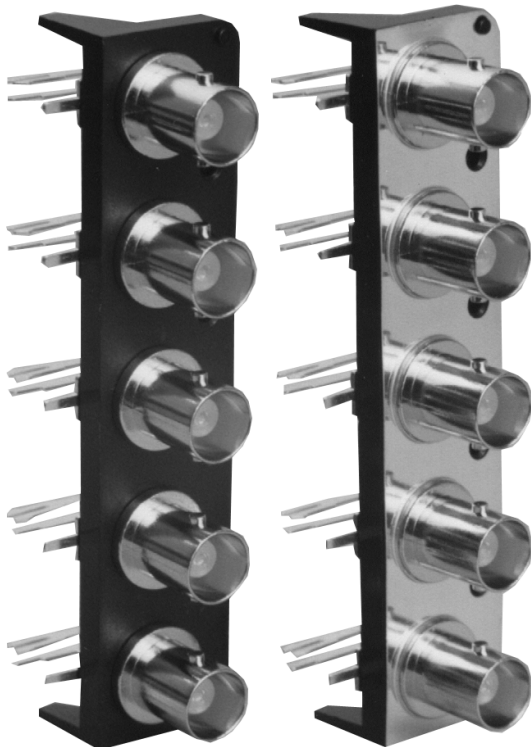
**UNSHIELDED**

No part number or drawing is available for this item, as the manufacturer has not previously supplied this particular configuration. However, we have included the product as it is a modular system. If you are interested in this item, please contact the sales office. Part numbers will be allocated and drawings issued if the item is to be used in production.

**T.B.A. (B)**

**SHIELDED**

No part number or drawing is available for this item, as the manufacturer has not previously supplied this particular configuration. However, we have included the product as it is a modular system. If you are interested in this item, please contact the sales office. Part numbers will be allocated and drawings issued if the item is to be used in production.



(A)

(B)

**T.B.A. (A)**

**UNSHIELDED**

No part number or drawing is available for this item, as the manufacturer has not previously supplied this particular configuration. However, we have included the product as it is a modular system. If you are interested in this item, please contact the sales office. Part numbers will be allocated and drawings issued if the item is to be used in production.

**T.B.A. (B)**

**SHIELDED**

No part number or drawing is available for this item, as the manufacturer has not previously supplied this particular configuration. However, we have included the product as it is a modular system. If you are interested in this item, please contact the sales office. Part numbers will be allocated and drawings issued if the item is to be used in production.

STRAIGHT SWITCHED

RIGHT ANGLED SWITCHED







# DUAL HEIGHT SOCKETS

WESTSIDE SUPPLIES (01243) 860626

RIGHT ANGLED

WP211

PCB LAYOUT

RIGHT ANGLED  
BNC/SVHS COMBINATION

WB141
SHIELDED  
SVHS/4P MINI DIN COMBINATION

SECTION ON C

SECTION ON D

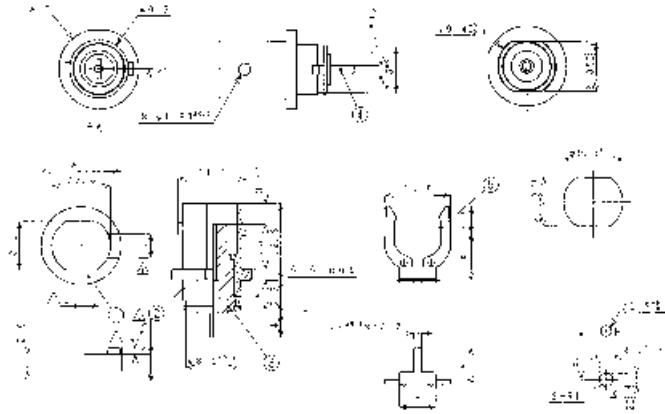
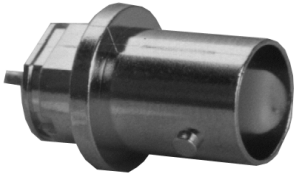
SECTION ON E

# OTHER BNC SOCKETS

WESTSIDE SUPPLIES (01243) 860626



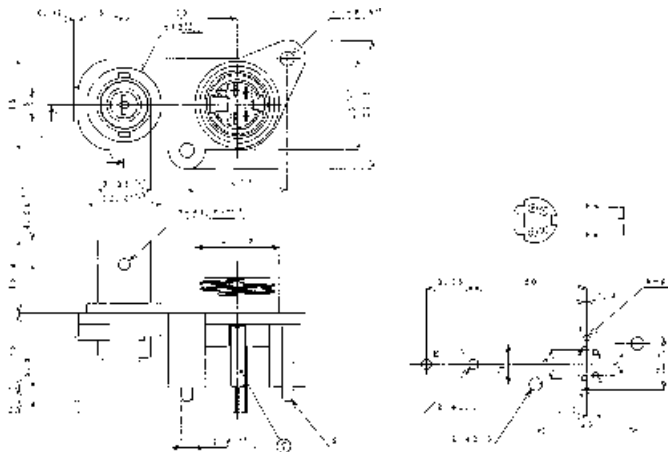
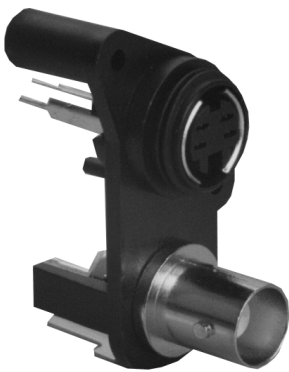
## P2270



STRAIGHT LOW PROFILE  
PCB MOUNTED

## B0096

SVHS/4P MINI DIN COMBINATION



STRAIGHT BNC/SVHS COMBINATION

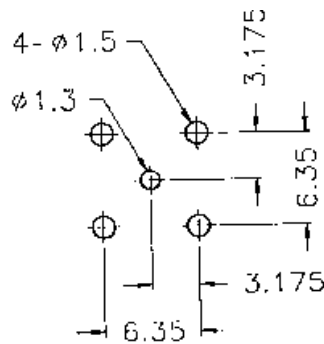
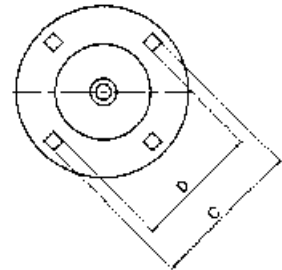
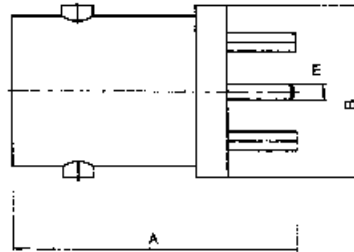
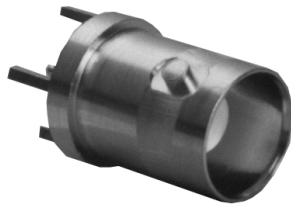


# POPULAR STANDARD BNC SOCKETS

WESTSIDE SUPPLIES (01243) 860626

STRAIGHT PCB MOUNTED SHORT

## BNC4900

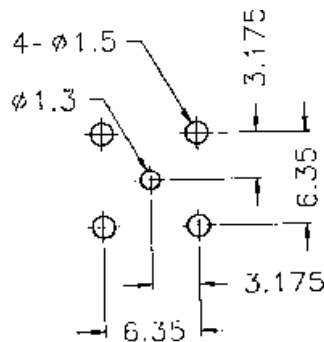
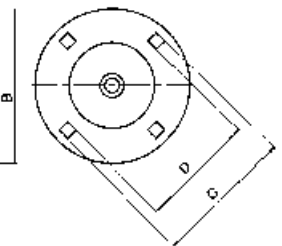
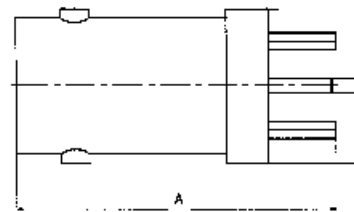


Dimensions:  
A=18.2mm  
B=11.0mm  
C=9.8mm  
D=8.1mm  
E=0.95mm

50Ω or 75Ω

STRAIGHT PCB MOUNTED LONG

## BNC4910



Dimensions:  
A=22.7mm  
B=11.0mm  
C=9.8mm  
D=8.1mm  
E=0.95mm

50Ω or 75Ω

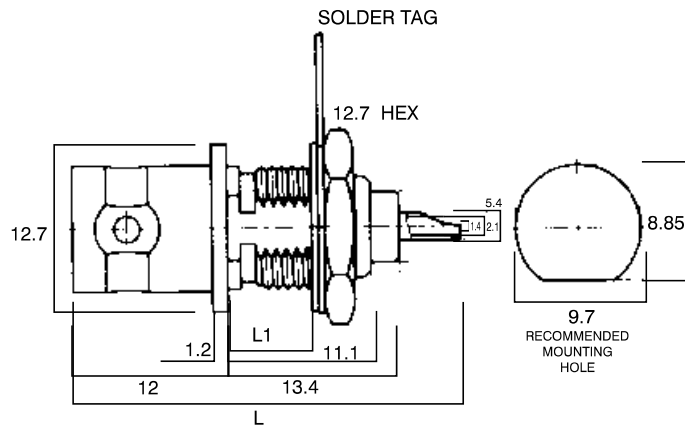


# POPULAR STANDARD BNC SOCKETS

WESTSIDE SUPPLIES (01243) 860626



## BNC4310



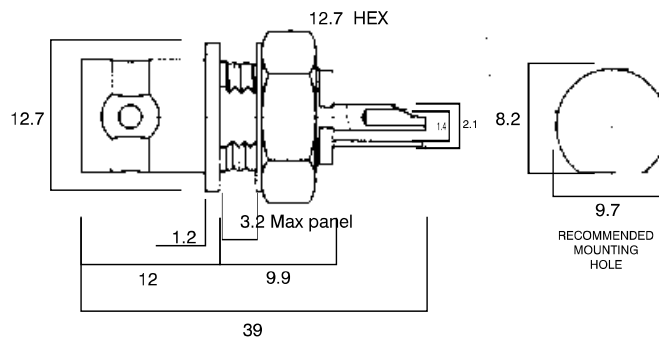
BNC4310  
 L1=3.2mm  
 L=26.7mm  
 Also available:  
 BNC4311  
 L1=6.5mm  
 L=30.0mm  
 BNC4312  
 L1=9.5mm  
 L=33.0mm

Finish Options:  
 Outer shell: Nickel, Silver, Tin  
 Insulator: Delrin, Teflon, PBT  
 Centre contact: Gold, Silver  
 Impedance: 50Ω or 75Ω

CHASSIS MOUNTED

## BNC4330

ISOLATED EARTH



\*Isolated from ground  
 3.2mm Max. panel

CHASSIS MOUNTED



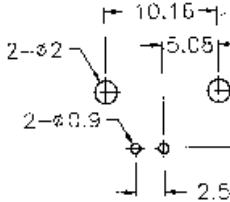
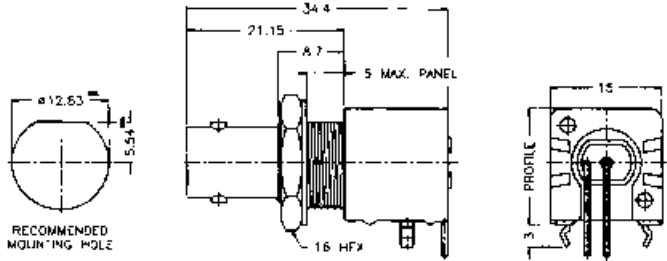
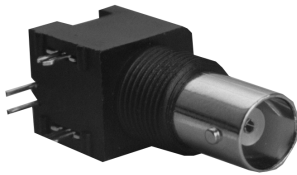
# ISOLATED BNC SOCKETS

WESTSIDE SUPPLIES (01243) 860626

RIGHT ANGLED PCB MOUNTED

## BNC 500

LOW AND STANDARD PROFILE



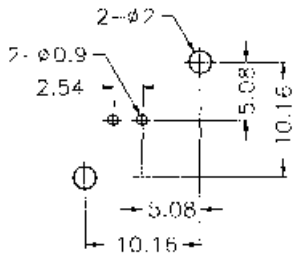
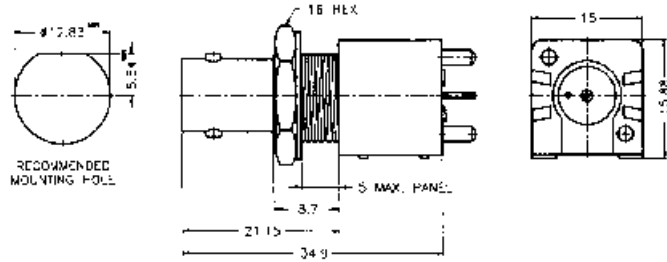
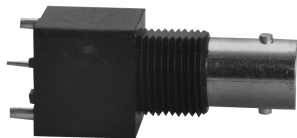
- Variations:  
 BNC500B Standard Profile Black  
 BNC500W Standard Profile White  
 BNC501B Standard Profile Black  
 BNC501W Standard Profile White  
 BNC502M Standard profile Metal  
 BNC503M Low Profile Metal

Profile:  
 Standard=15.88mm  
 Low=13.10mm

STRAIGHT PCB MOUNTED

## BNC 510

LOW AND STANDARD PROFILE



- Variations:  
 BNC510B Standard Profile Black  
 BNC510W Standard Profile White



**The WSL extensive product range includes:**

- Audio Connectors & Terminations
- Battery Connectors & Holders
- BNC Connectors
- DC Power Jacks
- DIN Connectors
- Equipment Feet
- Mains Cables & Connectors
- RF Connectors
- Screw Terminals
- Switches & Potentiometers
- Telephone & Communication Jacks
- Terminal Blocks
- Transistor Holders & Bushings
- Custom moulded leads & rewireable plugs/sockets (including BNC, D, DC & audio jacks, din, mini-din & phono types)

**We are also able to offer a custom design & specific sourcing service for all your connector requirements.**



**WESTSIDE  
SUPPLIES  
LIMITED**

**'WESTSIDE'  
SHRIPNEY ROAD  
BOGNOR REGIS  
WEST SUSSEX  
UNITED KINGDOM  
Po22 9NX**

TEL: +44 (0) 1243 860626

FAX: +44 (0) 1243 866626

EMAIL: [sales@westside-supplies.co.uk](mailto:sales@westside-supplies.co.uk)

WEB: [www.westside-supplies.co.uk](http://www.westside-supplies.co.uk)