

# WESTSIDE SUPPLIES



Audio Connectors

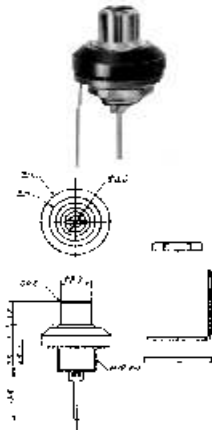
# PHONO SOCKETS

## COST EFFECTIVE CONNECTORS



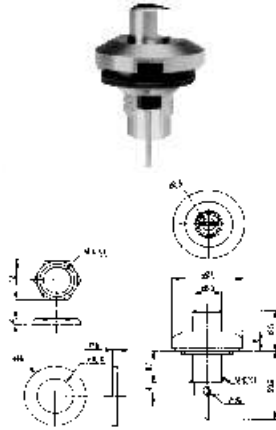
**T5613**

1P CHASSIS MOUNT  
HIGH QUALITY



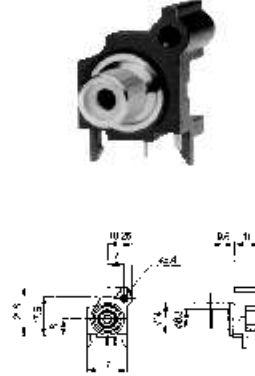
**T6720**

1P CHASSIS MOUNT  
HIGH QUALITY



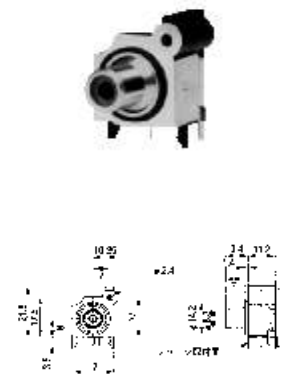
**T6782**

1P RIGHT-ANGLED  
HIGH QUALITY



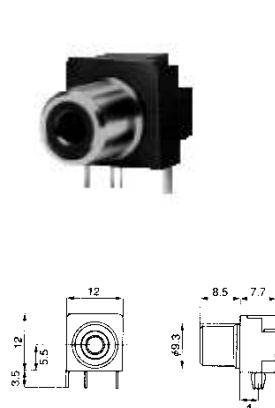
**T6997**

1P RIGHT-ANGLED SHIELDED  
HIGH QUALITY



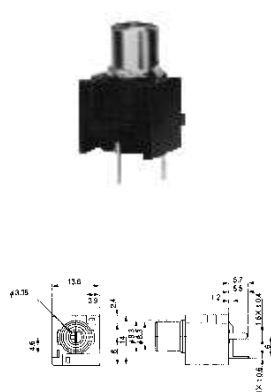
**T7000**

1P RIGHT-ANGLED  
LOW PROFILE



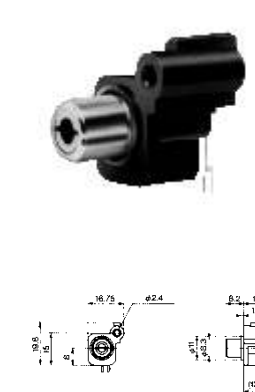
**T7010**

1P VERTICAL



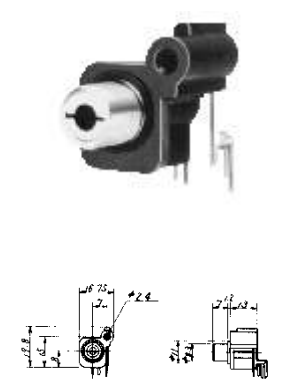
**T6312**

1P RIGHT- ANGLED



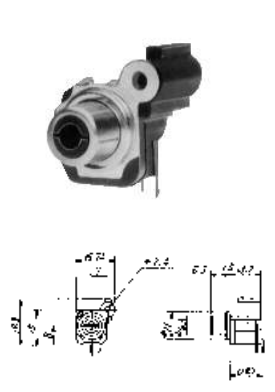
**T6314**

1P RIGHT-ANGLED  
CHASSIS EARTH



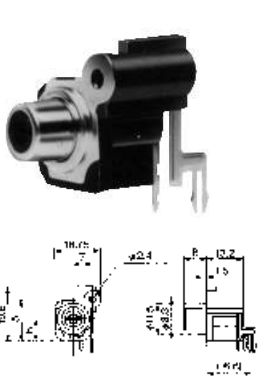
**T6346**

1P RIGHT-ANGLED  
SHIELDED



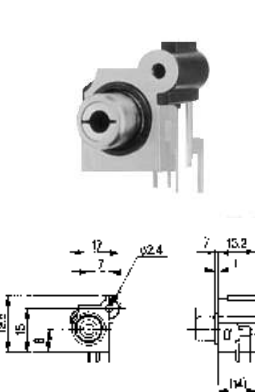
**T6368**

1P RIGHT-ANGLED SHIELDED  
CHASSIS EARTH



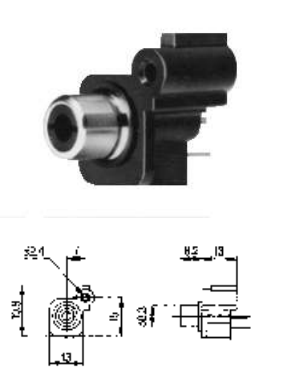
**T6612**

1P RIGHT-ANGLED SHIELDED  
CHASSIS EARTH



**T6495**

1P VERTICAL



FOR AVAILABLE OPTIONS AND TECHNICAL INFORMATION OF THE EMUDEN RANGE, PLEASE CONTACT OUR SALES OFFICE ON 01243 860626



# PHONO SOCKETS

## COST EFFECTIVE CONNECTORS

<p><b>T6627</b> 1P VERTICAL CHASSIS EARTH</p> <p>Technical drawings showing front, side, and top views of the T6627 connector with dimensions: 19.8, 16.75, 2.4, 8.2, 7.2, 1.2, 1.7, 1.4, 0.5.</p>	<p><b>T6525</b> 1P VERTICAL SHIELDED</p> <p>Technical drawings showing front, side, and top views of the T6525 connector with dimensions: 19.8, 7, 8, 13.2, 1.5, 11.5, 6.5, 3.</p>	<p><b>T6737</b> 1P VERTICAL CHASSIS EARTH 18MM HEIGHT</p> <p>Technical drawings showing front, side, and top views of the T6737 connector with dimensions: 19.8, 15, 6, 16.75, 2.4, 1.2, 1.5, 1.7, 1.4, 0.5.</p>	<p><b>T6993</b> 1P CHASSIS MOUNT</p> <p>Technical drawings showing front, side, and top views of the T6993 connector with dimensions: 14.3, 8.2, 14.5, 8.6, 1.2, 1.2, 1.2.</p>
--	--	--	--

<p><b>T6151</b> 1P RIGHT-ANGLED BOARD STAND- OFF</p> <p>Technical drawings showing front, side, and top views of the T6151 connector with dimensions: 27, 2.4, 8.2, 1.1, 1.2, 1.2, 1.2, 1.2, 1.2, 1.2.</p>	<p><b>T6093</b> 1P RIGHT-ANGLED CHASSIS EARTH BOARD STAND- OFF</p> <p>Technical drawings showing front, side, and top views of the T6093 connector with dimensions: 17, 2.4, 1.2, 1.2, 1.2, 1.2, 1.2, 1.2, 1.2, 1.2.</p>	<p><b>T6241</b> 1P RIGHT-ANGLED SUPPORT BRACKET BOARD STAND- OFF</p> <p>Technical drawings showing front, side, and top views of the T6241 connector with dimensions: 17, 2.4, 1.2, 1.2, 1.2, 1.2, 1.2, 1.2, 1.2, 1.2.</p>	<p><b>T6147</b> 1P VERTICAL CHASSIS EARTH BOARD STAND- OFF</p> <p>Technical drawings showing front, side, and top views of the T6147 connector with dimensions: 27, 2.4, 8.2, 1.1, 1.2, 1.2, 1.2, 1.2, 1.2, 1.2.</p>
--	--	--	--

<p><b>T6783</b> 2P RIGHT-ANGLED HIGH QUALITY SEPARATE EARTHS</p> <p>Technical drawings showing front, side, and top views of the T6783 connector with dimensions: 2.4, 1.2, 1.2, 1.2, 1.2, 1.2, 1.2, 1.2, 1.2, 1.2.</p>	<p><b>T6903</b> 2P RIGHT-ANGLED SLIMLINE</p> <p>Technical drawings showing front, side, and top views of the T6903 connector with dimensions: 1.2, 1.2, 1.2, 1.2, 1.2, 1.2, 1.2, 1.2, 1.2, 1.2.</p>	<p><b>T5934</b> 2P RIGHT-ANGLED DUAL FIXING POINTS</p> <p>Technical drawings showing front, side, and top views of the T5934 connector with dimensions: 2.4, 1.2, 1.2, 1.2, 1.2, 1.2, 1.2, 1.2, 1.2, 1.2.</p>	<p><b>T6773</b> 2P RIGHT-ANGLED SEPARATE EARTHS LOWER SHIELDED</p> <p>Technical drawings showing front, side, and top views of the T6773 connector with dimensions: 2.4, 1.2, 1.2, 1.2, 1.2, 1.2, 1.2, 1.2, 1.2, 1.2.</p>
---	---	---	---

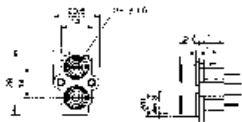
# PHONO SOCKETS

## COST EFFECTIVE CONNECTORS



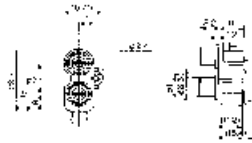
**T5764**

2P VERTICAL  
DUAL FIXING POINTS



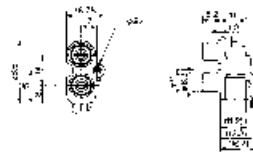
**T5854**

2P RIGHT-ANGLED



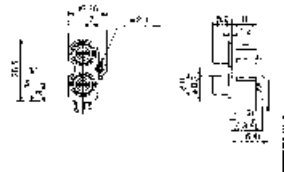
**T5922**

2P RIGHT-ANGLED  
SEPARATE EARTHS (RIGHT)



**T5959**

2P RIGHT-ANGLED  
SEPARATE EARTHS (LEFT)



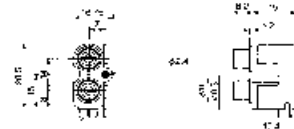
**T5855**

2P RIGHT-ANGLED  
CHASSIS EARTH



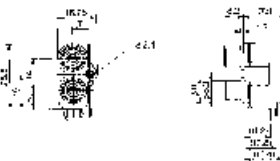
**T5856**

2P RIGHT-ANGLED  
SIDE SHIELD



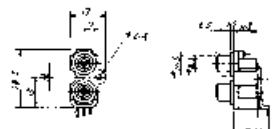
**T5958**

2P RIGHT-ANGLED  
SIDE SHIELD  
SEPARATE EARTHS



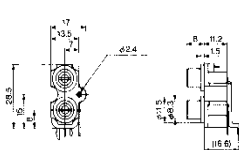
**T6302**

2P RIGHT-ANGLED  
SHIELDED



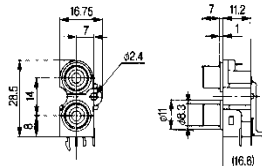
**T6415**

2P RIGHT-ANGLED  
CHASSIS EARTH  
SHIELDED



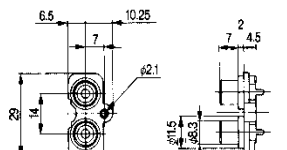
**T6613**

2P RIGHT-ANGLED  
LOWER SHIELDED



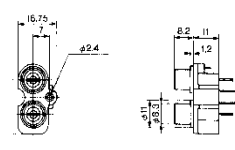
**T6676**

2P VERTICAL  
SLIMLINE



**T5899**

2P VERTICAL




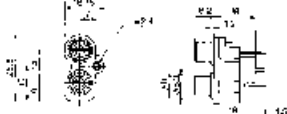



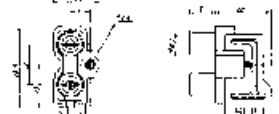



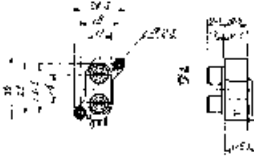



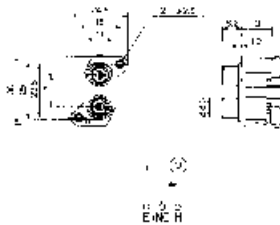


FOR AVAILABLE OPTIONS AND TECHNICAL INFORMATION OF THE EMUDEN RANGE, PLEASE CONTACT OUR SALES OFFICE ON 01243 860626


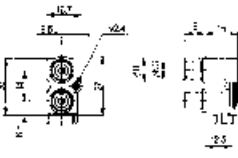

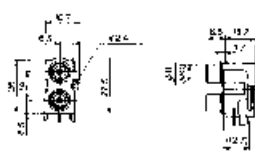



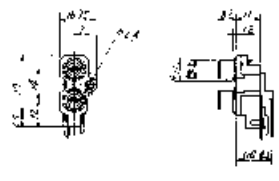


# PHONO SOCKETS

## COST EFFECTIVE CONNECTORS

<p><b>T5880</b> 2P VERTICAL CHASSIS EARTH</p>  	<p><b>T6086</b> 2P VERTICAL CHASSIS EARTH 18MM HEIGHT</p>  	<p><b>T6404</b> 2P VERTICAL SHIELDED CHASSIS EARTH 18MM HEIGHT</p>  	<p><b>T6358</b> 2P RIGHT-ANGLED SIDE SHIELD</p>  
---	---	--	---

<p><b>T5940</b> 2P RIGHT-ANGLED DUAL FIXING POINTS</p>  	<p><b>T5756</b> 2P VERTICAL DUAL FIXING POINTS</p>  	<p><b>T6575</b> 2P VERTICAL SWITCH CONTACTS DUAL FIXING POINTS</p>  	<p><b>T6687</b> 2P VERTICAL HIGH QUALITY</p>  
--	--	--	--

<p><b>T6786</b> 2P RIGHT-ANGLED SWITCH CONTACTS</p>  	<p><b>T6802</b> 2P RIGHT-ANGLED SHIELDED SWITCH CONTACTS</p>  	<p><b>T6481</b> 2P RIGHT-ANGLED BOARD STAND OFF</p>  	<p><b>T6138</b> 2P RIGHT-ANGLED SEPARATE EARTHS BOARD STAND-OFF</p>  
---	--	---	---

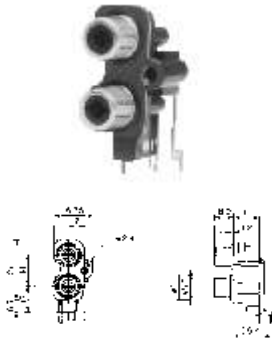
# PHONO SOCKETS

## COST EFFECTIVE CONNECTORS



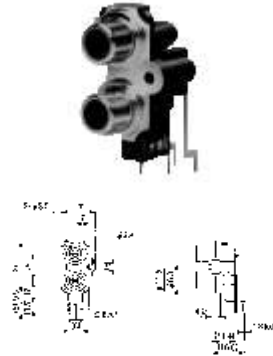
### T6105

2P RIGHT-ANGLED  
CHASSIS EARTH  
BOARD STAND-OFF



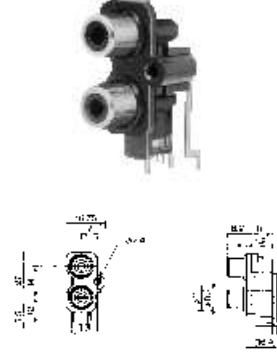
### T6352

2P RIGHT-ANGLED  
CHASSIS EARTH  
SHIELDED BOARD STAND-OFF



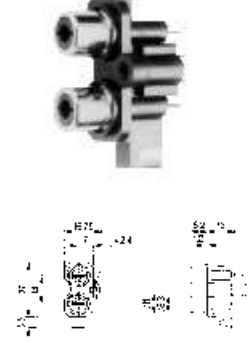
### T6124

2P RIGHT-ANGLED  
CHASSIS EARTH  
SEPARATE EARTHS  
BOARD STAND-OFF



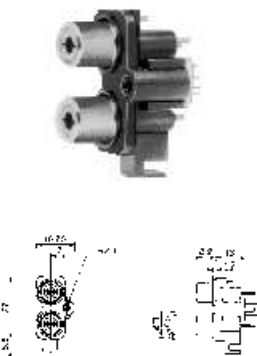
### T6106

2P VERTICAL  
BOARD STAND-OFF



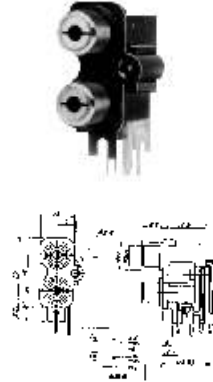
### T6107

2P VERTICAL CHASSIS EARTH  
BOARD STAND-OFF



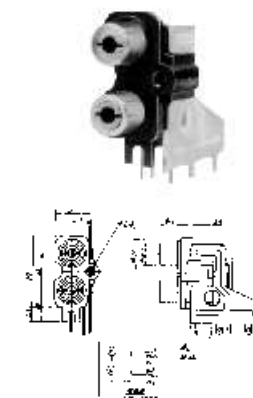
### T6030

2P RIGHT-ANGLED  
SWITCH CONTACTS



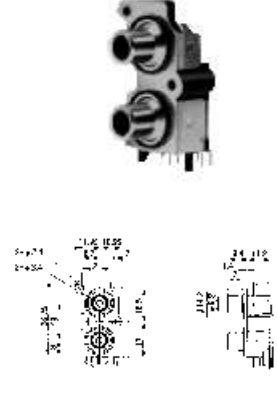
### T6249

2P RIGHT-ANGLED  
SWITCH CONTACTS  
SIDE SHIELD



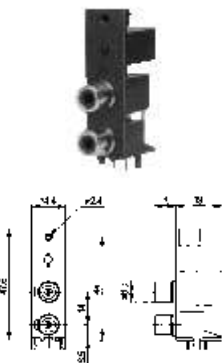
### T6998

2P RIGHT-ANGLED  
HIGH QUALITY  
SEPARATE EARTHS SHIELDED



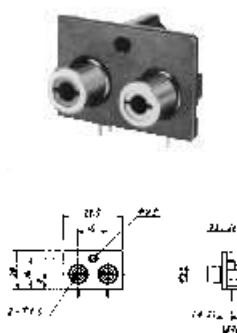
### T6640

2P RIGHT-ANGLED  
(TO MATCH T6646)



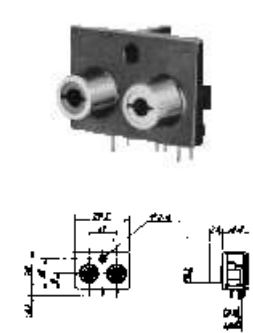
### T5900

2P RIGHT-ANGLED  
HORIZONTAL



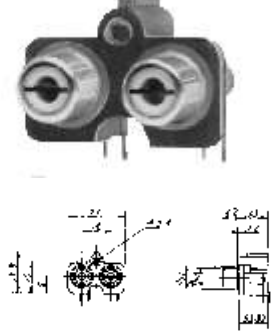
### T6002

2P RIGHT-ANGLED  
CHASSIS EARTH  
HORIZONTAL



### T6165

2P RIGHT-ANGLED  
HORIZONTAL


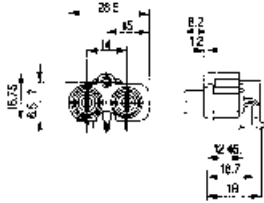



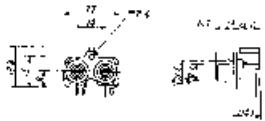

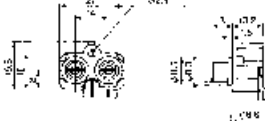





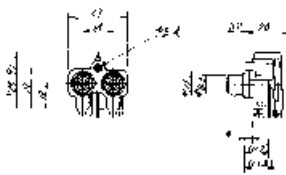

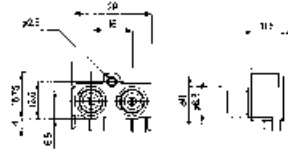

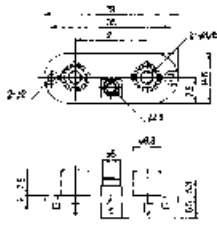
FOR AVAILABLE OPTIONS AND TECHNICAL INFORMATION OF THE EMUDEN RANGE, PLEASE CONTACT OUR SALES OFFICE ON 01243 860626




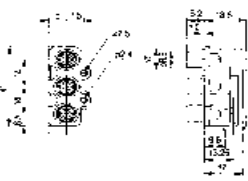

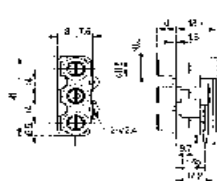

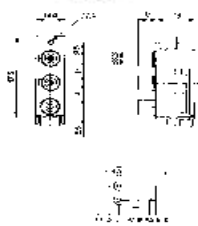


# PHONO SOCKETS

## COST EFFECTIVE CONNECTORS

<p><b>T6195</b> 2P RIGHT-ANGLED CHASSIS EARTH HORIZONTAL</p>  	<p><b>T6180</b> 2P RIGHT-ANGLED CHASSIS EARTH HORIZONTAL</p>  	<p><b>T6287</b> 2P RIGHT-ANGLED HORIZONTAL SHIELDED</p>  	<p><b>T6386</b> 2P RIGHT-ANGLED CHASSIS EARTH HORIZONTAL SHIELDED</p>  
--	--	---	---

<p><b>T6356</b> 2P RIGHT-ANGLED SWITCH CONTACTS SUPPORT LEGS</p>  	<p><b>T6243</b> 2P RIGHT-ANGLED CHASSIS EARTH BOARD STAND-OFF</p>  	<p><b>T6849</b> 2P RIGHT-ANGLED HORIZONTAL LOW PROFILE</p>  	<p><b>B0113</b> 2P VERTICAL +2.5mm JACK SOCKET</p>  
--	---	--	--

<p><b>T7024</b> 2P VERTICAL SLIMLINE</p>  	<p><b>T6372</b> 3P RIGHT-ANGLED</p>  	<p><b>T6539</b> 3P RIGHT-ANGLED SHIELDED</p>  	<p><b>T6646</b> 3P RIGHT-ANGLED SWITCH CONTACTS</p>  
--	---	--	---

# PHONO SOCKETS

## COST EFFECTIVE CONNECTORS



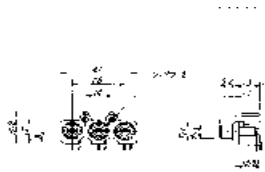
**T6641**

3P RIGHT-ANGLED  
SWITCH CONTACTS  
+SVHS CONNECTOR



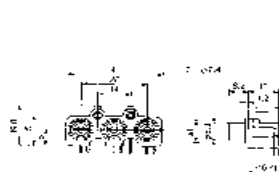
**T6125**

3P RIGHT-ANGLED  
HORIZONTAL



**T6182**

3P RIGHT-ANGLED  
CHASSIS EARTH  
HORIZONTAL



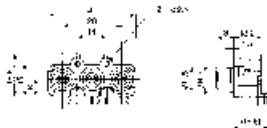
**T6537**

3P RIGHT-ANGLED  
SHIELDED HORIZONTAL



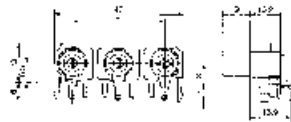
**T6576**

3P RIGHT-ANGLED  
CHASSIS EARTH  
SHIELDED



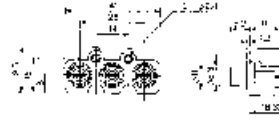
**SK0748** (TEMPORARY NO.)

3P RIGHT-ANGLED  
SWITCH CONTACTS  
SUPPORT LEGS



**T6135**

3P VERTICAL



**T6186**

3P VERTICAL  
CHASSIS EARTH



**T6656**

3P VERTICAL CHASSIS EARTH  
SHIELDED



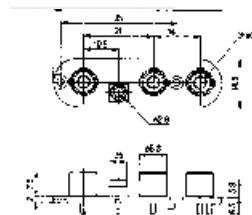
**T6408**

3P RIGHT-ANGLED  
SWITCH CONTACTS  
HORIZONTAL



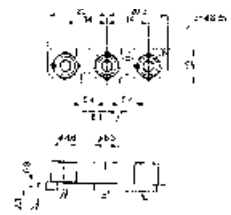
**B0114**

3P VERTICAL  
+2.5MM JACK SOCKET



**T7023**

3P VERTICAL  
SLIMLINE



FOR AVAILABLE OPTIONS AND TECHNICAL INFORMATION OF THE EMUDEN RANGE, PLEASE CONTACT OUR SALES OFFICE ON 01243 860626



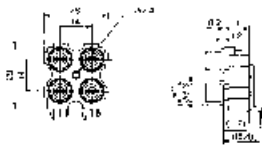


# PHONO SOCKETS

## COST EFFECTIVE CONNECTORS

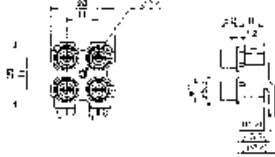
**T5857**

4P RIGHT-ANGLED



**T5909**

4P RIGHT-ANGLED  
SEPARATE EARTHS



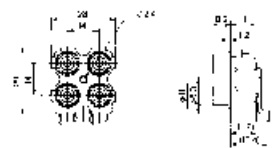
**T5983**

4P RIGHT-ANGLED  
SEPARATE EARTHS



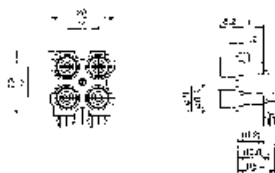
**T5858**

4P RIGHT-ANGLED  
CHASSIS EARTH



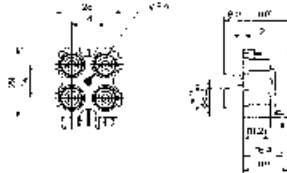
**T6029**

4P RIGHT-ANGLED  
CHASSIS EARTH  
SEPARATE EARTHS



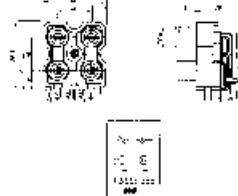
**T5859**

4P RIGHT-ANGLED  
SHIELD DIVIDER



**T6359**

4P RIGHT-ANGLED  
SWITCH CONTACTS  
SUPPORT LEGS



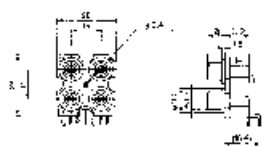
**T6288**

4P RIGHT-ANGLED  
SHIELDED



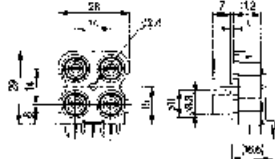
**T6552**

4P RIGHT-ANGLED  
CHASSIS EARTH  
SHIELDED



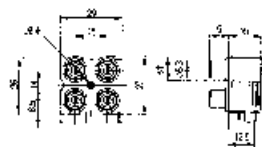
**T6614**

4P RIGHT-ANGLED  
CHASSIS EARTH  
SHIELDED



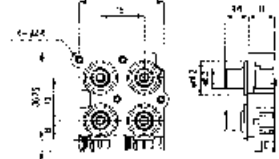
**T6787**

4P RIGHT-ANGLED  
SWITCH CONTACTS



**T6905**

4P RIGHT-ANGLED  
HIGH QUALITY  
SEPARATE EARTHS



# PHONO SOCKETS

## COST EFFECTIVE CONNECTORS



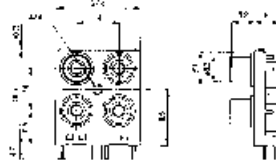
**T6999**

4P RIGHT-ANGLED  
HIGH QUALITY  
SEPARATE EARTHS SHIELDED



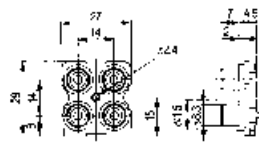
**T6850**

4P RIGHT-ANGLED  
SLIMLINE



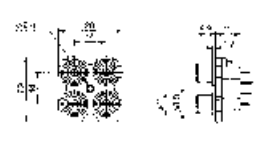
**T6677**

4P VERTICAL  
SLIMLINE



**T5765**

4P VERTICAL



**T5881**

4P VERTICAL  
CHASSIS EARTH



**T6631**

4P VERTICAL  
SHIELDED



**T6027**

4P VERTICAL CHASSIS EARTH  
18MM HEIGHT



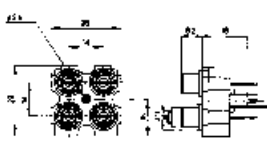
**T6085**

4P VERTICAL CHASSIS EARTH  
BOARD RETAINING CONTACTS  
18MM HEIGHT



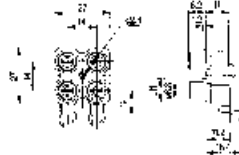
**T6390**

4P VERTICAL CHASSIS EARTH  
18MM HEIGHT



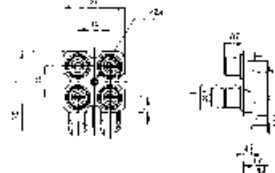
**T6546**

4P RIGHT-ANGLED  
BOARD STAND-OFFS



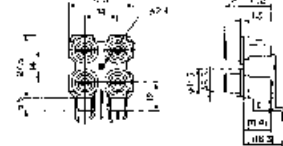
**T6005**

4P RIGHT-ANGLED  
CHASSIS EARTH  
BOARD STAND-OFFS



**T6460**

4P RIGHT-ANGLED  
CHASSIS EARTH  
SHIELDED





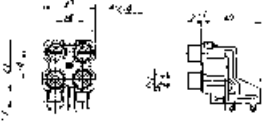


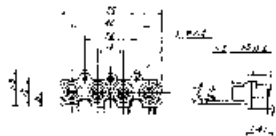










FOR AVAILABLE OPTIONS AND TECHNICAL INFORMATION OF THE EMUDEN RANGE, PLEASE CONTACT OUR SALES OFFICE ON 01243 860626





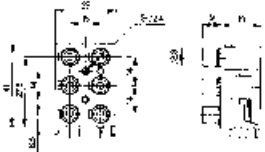
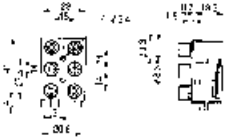
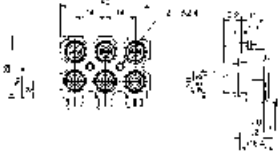



# PHONO SOCKETS

## COST EFFECTIVE CONNECTORS

<b>T6318</b>	<b>T6578</b>	<b>T6126</b>	<b>T6398</b>
4P RIGHT-ANGLED SHIELD DIVIDER BOARD STAND-OFFS	4P VERTICAL BOARD STAND-OFFS	4P RIGHT-ANGLED HORIZONTAL	4P RIGHT-ANGLED HORIZONTAL SHIELDED
			
			

<b>T6363</b>	<b>T6197</b>	<b>T6334</b>	<b>T6762</b>
4P RIGHT-ANGLED HORIZONTAL SHIELDED CHASSIS EARTH	4P VERTICAL	4P VERTICAL CHASSIS EARTH	4P VERTICAL CHASSIS EARTH 18MM HEIGHT
			
			

<b>T6651</b>	<b>T7036</b>	<b>T5916</b>	<b>T5910</b>
6P RIGHT-ANGLED SWITCH CONTACTS	6P RIGHT-ANGLED SWITCH CONTACTS SHIELDED	6P RIGHT-ANGLED	6P RIGHT-ANGLED SEPARATE EARTHS
			
			

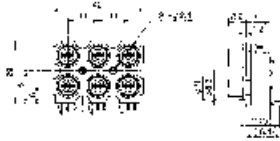
# PHONO SOCKETS

## COST EFFECTIVE CONNECTORS



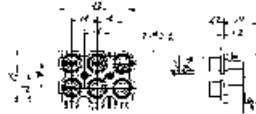
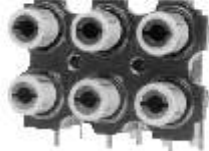
**T6001**

6P RIGHT-ANGLED  
CHASSIS EARTH



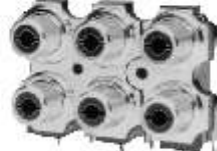
**T5952**

6P RIGHT-ANGLED  
SHIELD DIVIDER



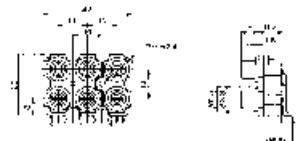
**T6289**

6P RIGHT-ANGLED  
SHIELDED



**T6588**

6P RIGHT-ANGLED  
CHASSIS EARTH SHIELDED



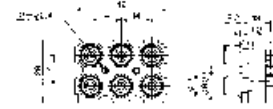
**T5902**

6P VERTICAL



**T6113**

6P VERTICAL  
CHASSIS EARTH



**T6087**

6P VERTICAL  
CHASSIS EARTH  
18MM HEIGHT



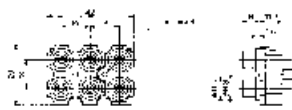
**T6391**

6P VERTICAL  
CHASSIS EARTH



**T6632**

6P VERTICAL  
SHIELDED



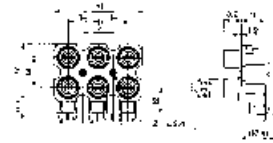
**T6313**

6P RIGHT-ANGLED  
BOARD STAND-OFFS



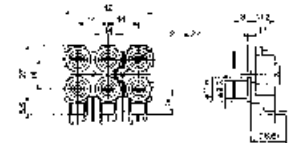
**T6095**

6P RIGHT-ANGLED  
CHASSIS EARTH  
BOARD STAND-OFFS



**T6550**

6P RIGHT-ANGLED  
CHASSIS EARTH SHIELDED



FOR AVAILABLE OPTIONS AND TECHNICAL INFORMATION OF THE EMUDEN RANGE, PLEASE CONTACT OUR SALES OFFICE ON 01243 860626

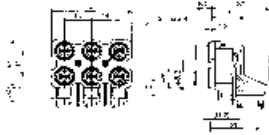


# PHONO SOCKETS

## COST EFFECTIVE CONNECTORS

**T6251**

6P RIGHT-ANGLED  
SHIELD DIVIDER  
BOARD STAND-OFFS



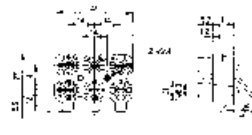
**T6580**

6P VERTICAL  
BOARD STAND-OFFS



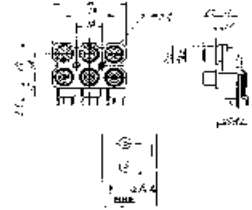
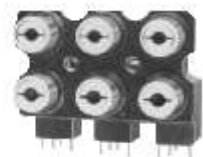
**T6581**

6P WIRE WRAP  
CONTACTS



**T6127**

6P RIGHT-ANGLED  
SWITCH CONTACTS  
BOARD STAND-OFFS



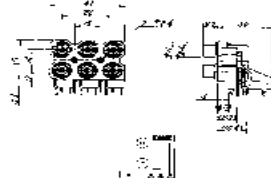
**T6181**

6P RIGHT-ANGLED  
CHASSIS EARTH  
SWITCH CONTACTS



**T6254**

6P RIGHT-ANGLED  
SWITCH CONTACTS  
SHIELD DIVIDER



**T6388**

8P RIGHT-ANGLED



**T6269**

8P RIGHT-ANGLED  
BOARD STAND-OFFS



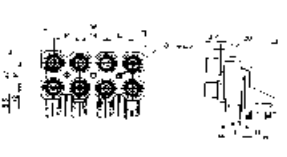
**T6272**

8P RIGHT-ANGLED  
CHASSIS EARTHS  
BOARD STAND-OFFS



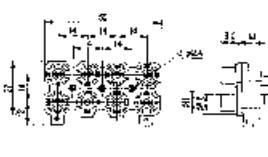
**T6242**

8P RIGHT-ANGLED  
SHIELD DIVIDER  
BOARD STAND-OFFS



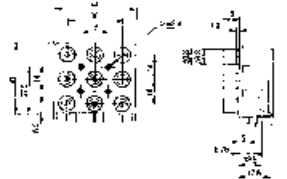
**T6315**

8P VERTICAL  
BOARD STAND-OFFS



**T6587**

9P RIGHT-ANGLED  
SWITCH CONTACTS



# PHONO SOCKETS

## COST EFFECTIVE CONNECTORS



**WSP-241V**

1P RIGHT-ANGLED



**WSP-241V1**

1P RIGHT-ANGLED  
SHIELDED



**WSP-241V2**

1P RIGHT-ANGLED  
CHASSIS EARTH



**WTJ-032-05**

1P RIGHT-ANGLED



**WSP-242V**

2P RIGHT-ANGLED



**WSP-242V1**

2P RIGHT-ANGLED  
CHASSIS EARTH



**WSP-242V3**

2P RIGHT-ANGLED  
CHASSIS EARTH



**WSP-242V2**

2P RIGHT-ANGLED  
SHIELDED



**WSP-244V**

4P RIGHT-ANGLED



**WSP-244V1**

4P RIGHT-ANGLED  
CHASSIS EARTH



**WSP-244V4**

4P RIGHT-ANGLED  
CHASSIS EARTH



**WSP-244V10**

4P RIGHT-ANGLED  
SHIELDED



**WSP-252V1**

2P RIGHT-ANGLED  
HORIZONTAL SHIELDED



**WTJ-032-27**

2P RIGHT-ANGLED  
HORIZONTAL



**WTO 4026**

3P RIGHT-ANGLED  
SHIELDED



**WSP-253V**

3P RIGHT-ANGLED  
HORIZONTAL





# PHONO SOCKETS

## COST EFFECTIVE CONNECTORS

**WTJ 04031**

4P RIGHT-ANGLED  
SLIM LINE



**WSP-254V2**

4P RIGHT-ANGLED  
HORIZONTAL  
CHASSIS EARTH



**WSP 256V**

6P RIGHT-ANGLED



**WSP 259V**

9P RIGHT-ANGLED



**WTO 4025**

3P RIGHT-ANGLED HORIZONTAL  
HIGH INTEGRITY SHIELD



**WTO 4023**

4P RIGHT-ANGLED  
HIGH INTEGRITY SHIELD



**WTO 4024**

6P RIGHT-ANGLED  
HIGH INTEGRITY SHIELD



**WTO 4022**

2P RIGHT-ANGLED  
HIGH INTEGRITY SHIELD



**RJ 1132A**

1P RIGHT-ANGLED



**WTO 4017**

RIGHT-ANGLED PHONO  
+SVHS COMBINATION



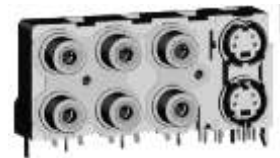
**OC 0806**

RIGHT-ANGLED  
PHONO/OPTICAL COMBINATION



**RJ 1178**

6P RIGHT-ANGLED + 2 SVHS  
PHONO COMBINATION





# FAX BACK

## WESTSIDE SUPPLIES SHORTFORM SELECTION

If you would like further information, or any of the product brochures shown below, please tick the relevant box, complete the enquiry details section and return to Westside Supplies by fax or post.

Alternatively, telephone or email us with your request.

Telephone: +44(0)1243 860626

Facsimile: +44(0)1243 866626

E-mail: sales@westside-supplies.co.uk

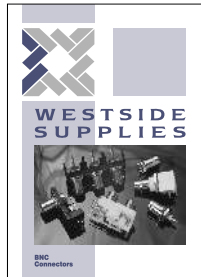
Internet: www.westside-supplies.co.uk



AUDIO CONNECTORS



BATTERY CONTACTS & HOLDERS



BNC CONNECTORS



DC POWER JACKS



DIN CONNECTORS



EQUIPMENT FEET CONTROL KNOBS



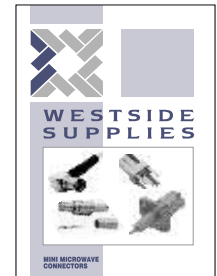
MAINS CABLES & CONNECTORS



MINIATURE AUDIO JACKS



MINIATURE CIRCULAR CONNECTORS



MINI MICROWAVE CONNECTORS



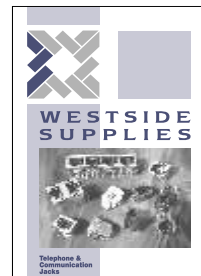
RF CONNECTORS



SCREW TERMINALS & TRANSISTOR HOLDERS



SWITCHES & POTENTIOMETERS



TELEPHONE & COMMUNICATION JACKS



TERMINAL BOARDS & BLOCKS

CUSTOM DESIGN

SIGNAL LEADS & MOULDED CABLES

OTHER

PLEASE PROVIDE FURTHER DETAILS OF YOUR REQUIREMENTS ON A SEPARATE SHEET.

## Contact Details

COMPANY \_\_\_\_\_

CONTACT NAME \_\_\_\_\_

JOB TITLE \_\_\_\_\_

ADDRESS \_\_\_\_\_

\_\_\_\_\_

TELEPHONE \_\_\_\_\_ POSTCODE \_\_\_\_\_

E-MAIL \_\_\_\_\_ FAX \_\_\_\_\_

\_\_\_\_\_