

KIT RESISTORS

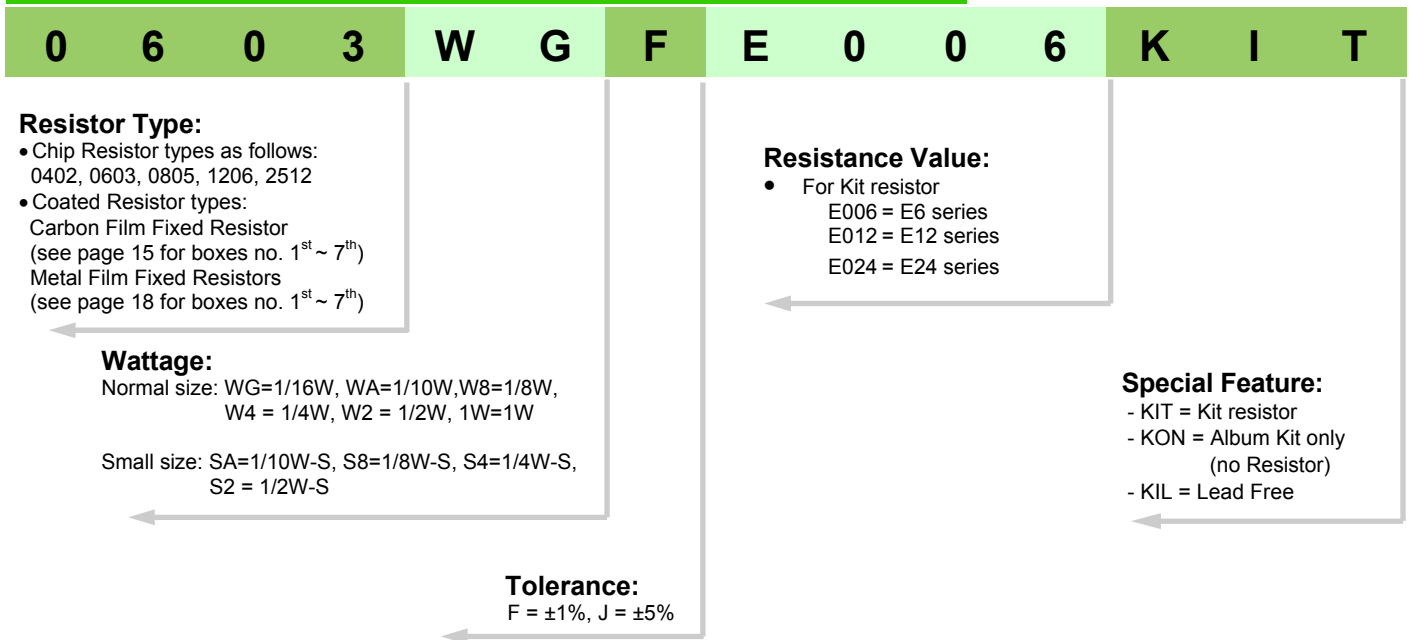


***Chip Kit Resistors



***Coated Type Kit Resistors

Ordering Procedure: (Ex.: 0603, 1/16W, 1%, E6 series, Chip Kit Resistors)



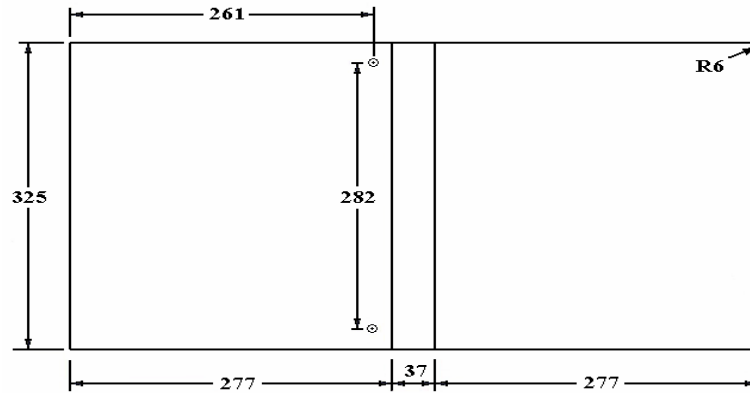
* More explanation on part no, please see details on pages 79-80.

Sample: SMD Kit 1/16W (0603) +/-1% E6 series → 0603WGFE006KIL
 Album Kit 1/16W (0603) +/-1% E6 series → 0603WGFE006KON (no Chip Resistors)
Special for Insert Chip Kit → INSERT-CHIPKIT

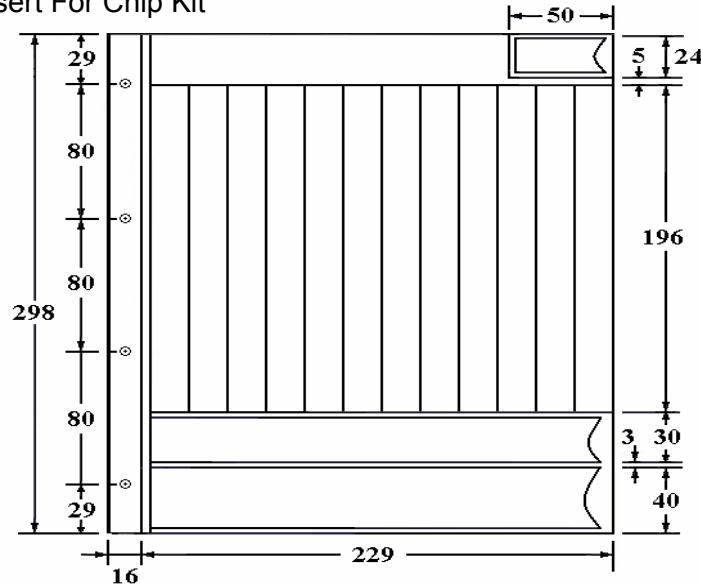
KIT RESISTORS

Dimension (mm)

- Album



- Insert For Chip Kit



- Insert For Coated Type

