



Our *passion* is enclosures.



aluPLUS

The plus side of technology and design

Technical data

aluPLUS



Integrated recesses for membrane keypads



Enclosure fixation with closed lid



Mounting rail and terminals



Design covers for the perfect look



Economical lid support



Fastening threads in enclosure and lid for components



Standardised mounting dimensions

Enclosure: Die-cast aluminium EN AN-44300 DIN EN 1706 (GD AL SI 12 / DIN 1725). 1° mould slope for casting ejection, internal measures diminishing circulatory towards enclosure bottom by 1°.

Integrated recess: In the lid for membrane keypad or front plates.

Components: Fastening threads M5 in the bottom of enclosure and in the lid

Ingress protection: IP66 / EN 60529

Gasket: Silicon moulded gasket (-50°C to +140°C)

Lid screws: Stainless steel 1.4567 (V2A), captive

Design covers: Latching, polyamide (PA6) RAL 7016, anthracite grey.

Surface: Powder coating RAL 7035, light grey

Optionally available:

Lid supports: Stainless steel 1.4567 (V2A) and polyamide (PA6).

Gasket: EMC gasket (-55°C to +160°C)

Ingress protection: IP67 / EN 60529

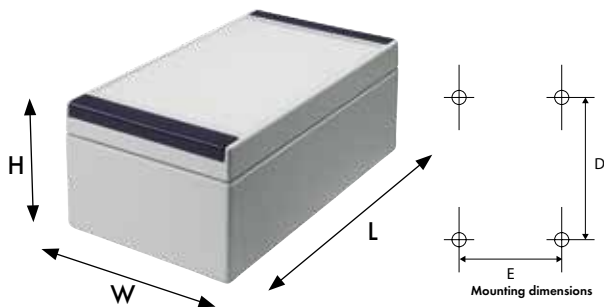
Surface: Corrosion protection, special colours

Further options, see delivery overview.

Delivery overview

Type	Mat. no.	L	W	H	D	E	g	M	D	DH	L	T	EMC	67
AP 120	196.120.000	122	120	82	106	82	770	●	□	●	●	●	●	●
AP 122	196.122.000	220	120	82	204	82	1.110	●	□	●	●	●	●	●
AP 161	196.161.000	160	160	90	140	110	1.190	●	□	●	●	●	●	●
AP 162	196.162.000	260	160	90	240	110	1.620	●	□	●	●	●	●	●

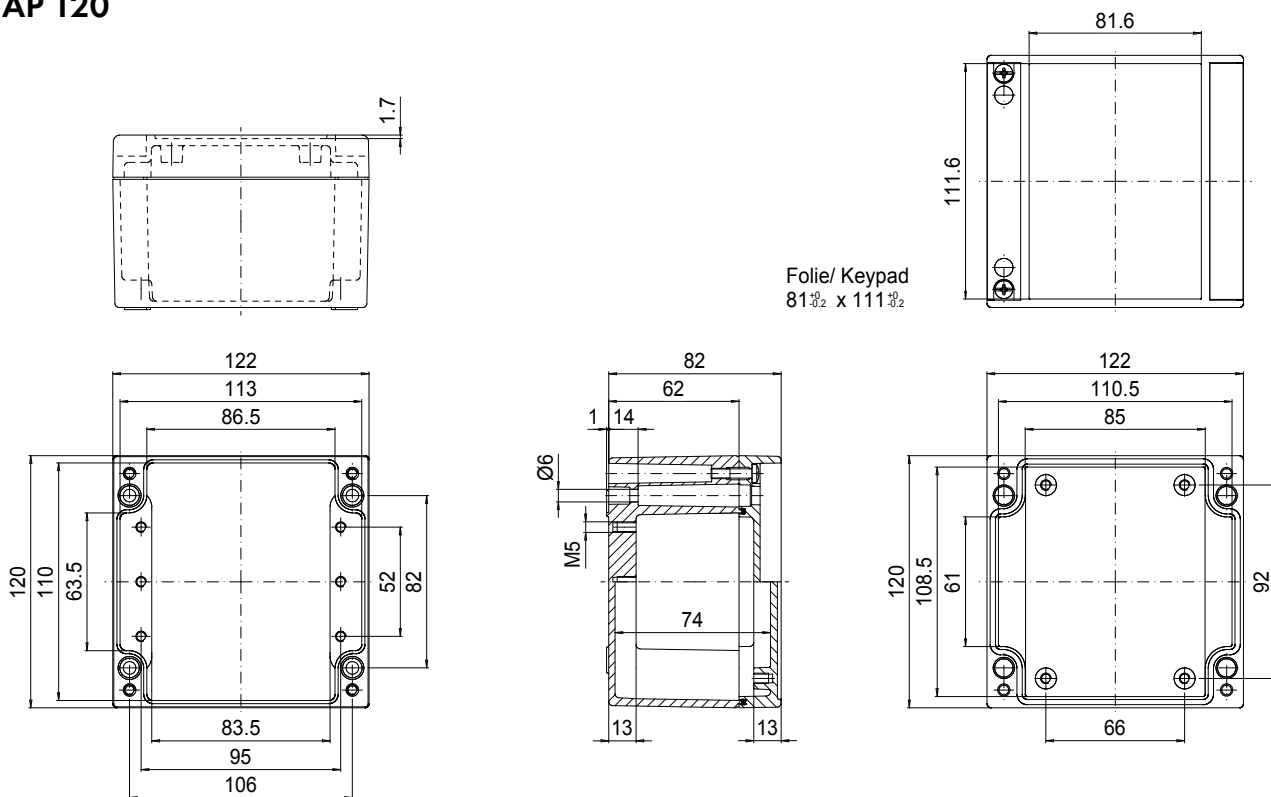
□ Standard ● Available ○ Not available



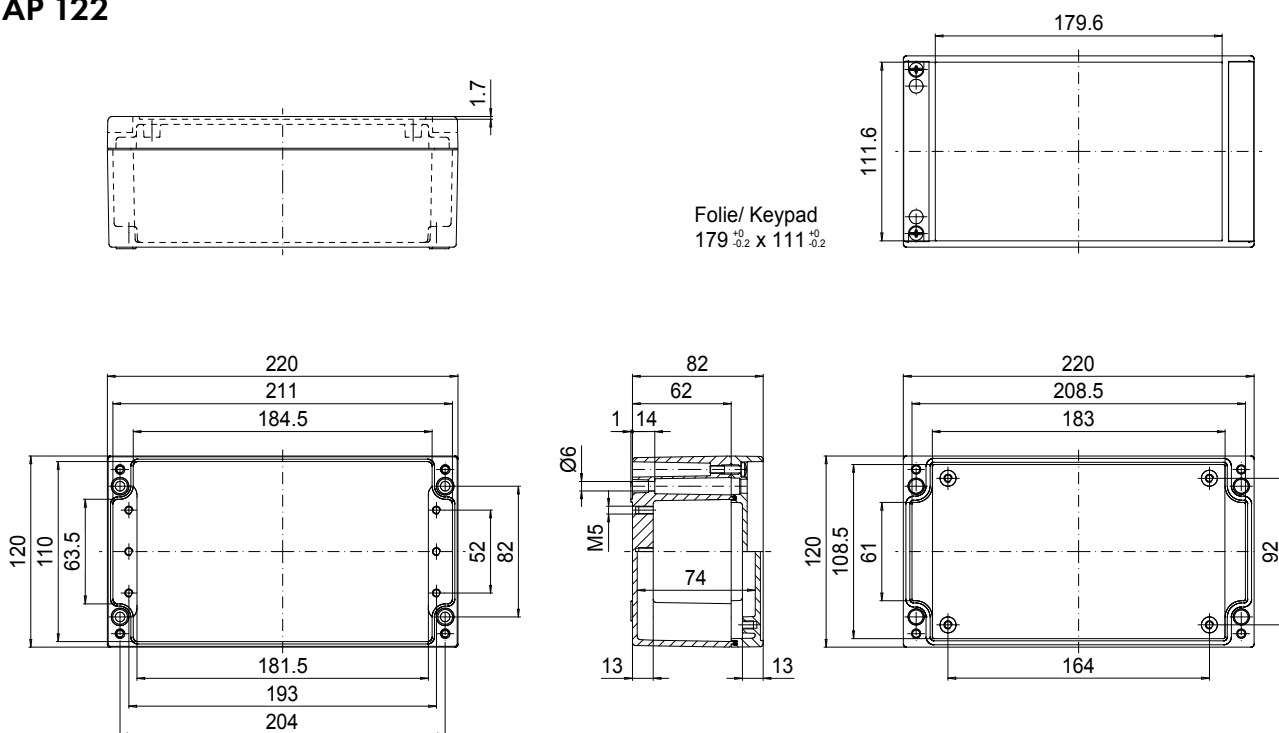
ROLEC Attachment and mounting dimensions

aluPLUS

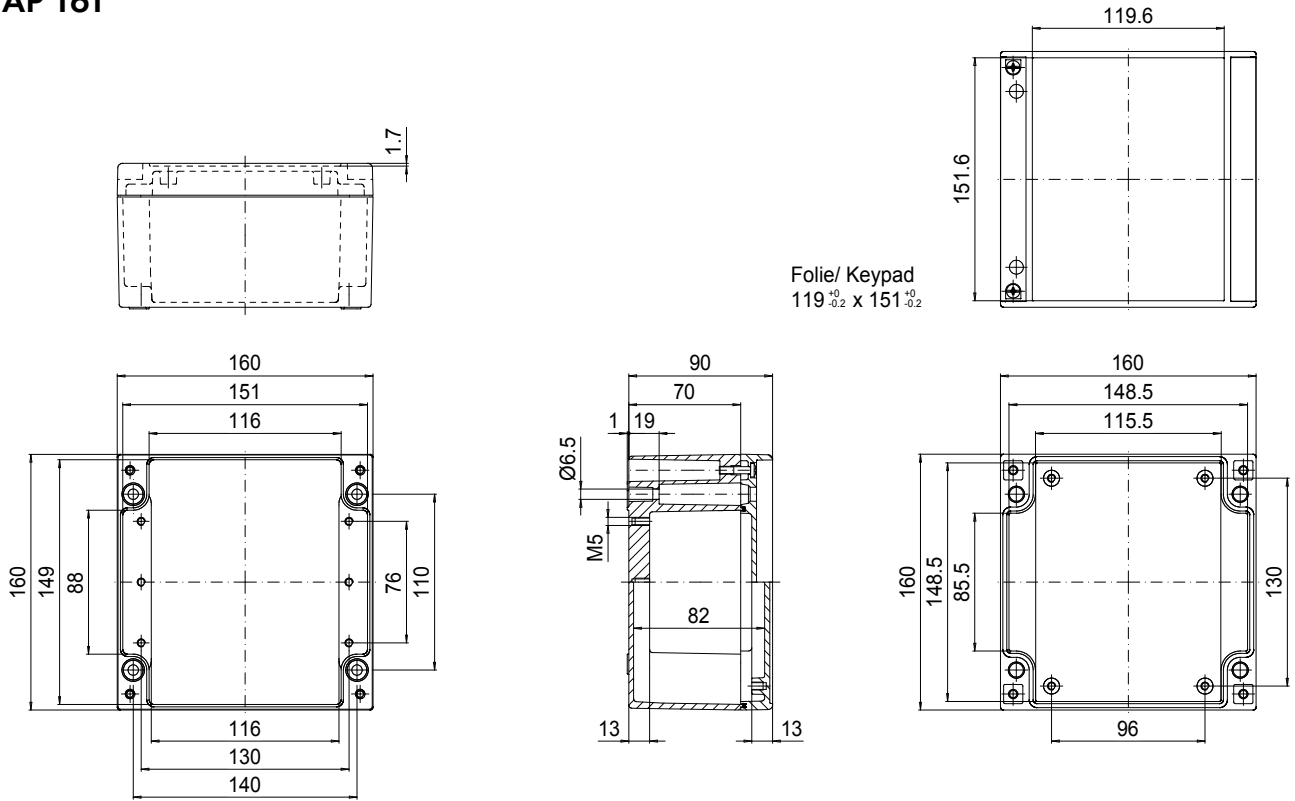
AP 120



AP 122



AP 161



AP 162

