

Chemical Seal Gauge with Welded Seal



Application

These seals are combined for use with pressure gauges or transmitters, and are intended for use in the Chemical Industry

Pressure Rating

Up to 600 bar maximum

Specifications

Standard Case & Bezel

100mm 304 St. St with Bayonet locking bezel weatherproof construction

Connection & Element

AISI 316 Stainless Steel

Movement

Stainless Steel

Dial

White Aluminium with black markings

Pointer

Black Oxidised Aluminium

Window

Glass

Accuracy

1.6%

Optional Specifications

Gauge

63 or 150mm case, Dual scales
Glycerine Filled head

Electrical Contacts

Single or dual

Process connection

Various male or female thread to suit customer requirements

Filling liquid

Special filling liquids available –
To suit process conditions

Operating temperatures

-10° Celsius to +120° Celsius
Can be fitted with cooling tower for temperatures above 120° Celsius

Mounting

Remote type with St St capillary, flush panel or surface mounting

This instrument can be fitted with a variety of flanges or threads, different applications require different solutions, please contact us for advice

Ordering information

State:- Pressure gauge model / Nominal size / Scale range / Size of connection / Optional extras required

Example

14WT10/100mm/0-10bar/1/2"bsp

100mm (4")

Stainless Steel Case / Stainless Steel wetted parts, 0-10bar, with 1/2"bsp male connection.

T.J. Williams Ltd

Wimborne Rd, Barry, Vale of Glamorgan, CF63 3DH
www.tjwilliams.co.uk

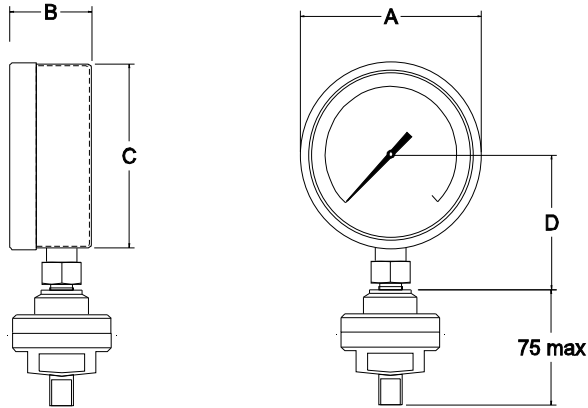
Tel 01446 729200

Fax 01446 739281

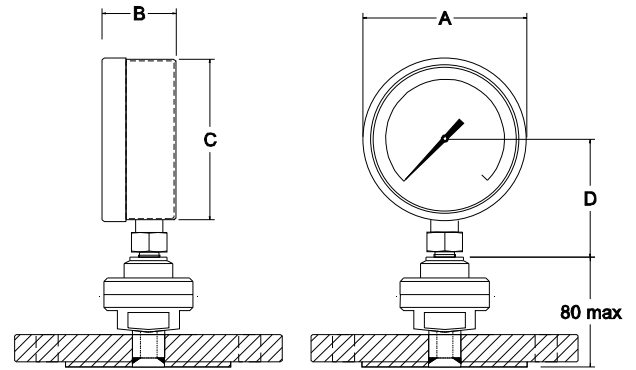
Data Sheet **D14W** 02/11

Chemical Seal Gauge with Welded Seal

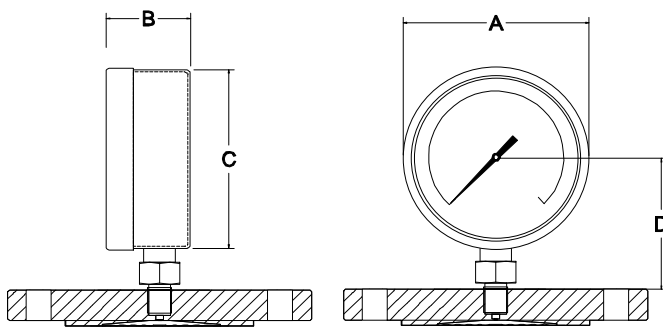
TYPE IDENTIFICATION ASSISTANT



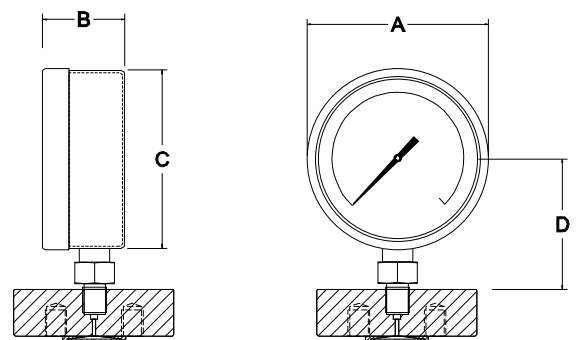
Model 14WT10



Model 14WF10



Model 14WF20



Model 14WF30

Dial Size	A	B	C	D
63mm	70	35	60	45
100mm	112	48.5	99	72
160mm	162	48.5	148	90