

*...built to stand
the test of time*

Hollow Chisel Morticer

Model 571

- ▶ 1" chisel capacity via 1.5Hp industrial rated motor
- ▶ Fully guarded 1/2" adjustable chuck
- ▶ Counterbalance weight for superior handling and lower maintenance
- ▶ Single handwheel control to longitudinal and lateral table movement
- ▶ Depth, haunch & length stops
- ▶ Three position clamp



Quality by Design

Designed over forty years ago the Sedgwick 571 is probably the best-proven morticer on the market. With more than ten thousand machines in use throughout the world, its reputation for power, accuracy, reliability, and ease of operation make it regarded by many as 'the industry standard'.

A cast iron base, column, table and slideways provide a rigid and durable mainframe assembly, onto which is mounted the cast iron chisel head and motor. All slide movements are easily adjusted by a single dovetail slide for ease of maintenance. The chisel head assembly is counterbalanced by a weight, giving fingertip control to the rise and fall and eliminating the breakages associated with spring type mechanisms. The 1.1Kw industrial fan cooled motor fitted with a 1/2" capacity adjustable chuck provides ample power for continuous duties. Unlike a collet type system, the adjustable chuck holds the auger firmly round its circumference, true to the centre line of the chisel, securing longer tool life and better cutting capability. The chuck is guarded with a hinged guard for safety.

Versatility and Ease of Operation

The table has longitudinal and lateral movement on a single handwheel control, not only for ease of operation, but also for more precise positioning: lateral adjustment of the table being better controlled by a central screw. The angled timber clamp has three fixing positions giving a maximum timber width of 180mm. Coupled with the height adjustable chisel head which can give a maximum timber height of 255mm underneath the chisel, the Sedgwick 571 has exceptional capability. For repetition work the table is fitted with longitudinal length stops, and the chisel head with a two position depth stop (for haunching), thus reducing 'marking out' time.

Safety Features

The switchgear has no volt release, thermal overload, and a mushroom headed stop button.

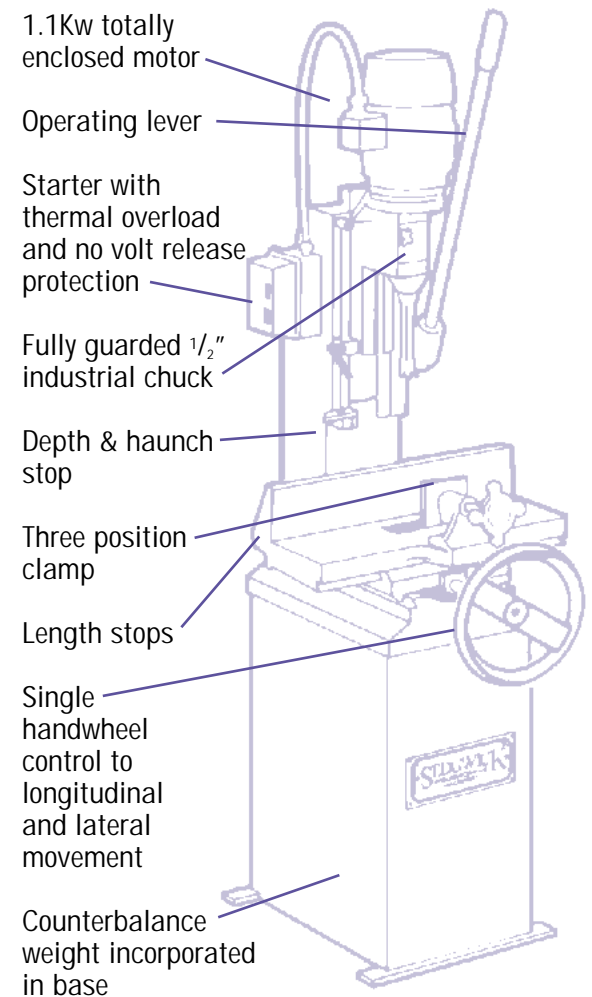
DISTRIBUTOR

Hollow Chisel Morticer

Model 571

Specification

Max Chisel Size	
Softwood	25mm
Hardwood	19mm
Timber Capacity	255x180mm
Stroke of Chisel Head	125mm
Motor Rating	1.1Kw
Table Movement	
Longitudinal	400mm
Lateral	90mm
Shipping Details	
Nett Weight	169Kg
Gross Weight	221Kg
Dimensions: L x W x H	730 x 650 x 1520mm



Specifications and dimensions are subject to change and do not form part of a contract.