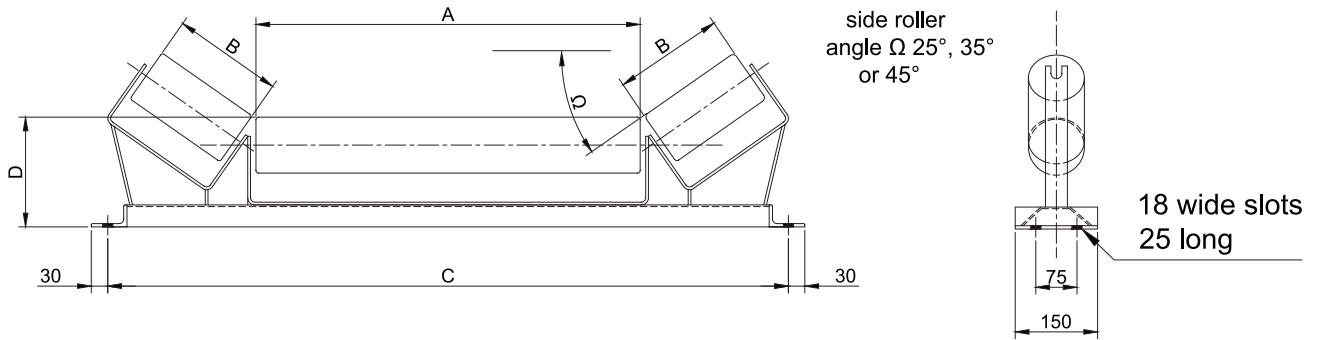


3 roll picking idler sets (folded transome)



BELT WIDTH (mm)	A (mm)	B (mm)	C (mm)	D (mm)	102mm dia rollers	D (mm)	127mm rollers
750	450	200	990	200	CDUP750	225	CEUP750
800	500	200	1040	200	CDUP800	225	CEUP800
900	600	200	1140	200	CDUP900	225	CEUP900
1000	700	200	1240	200	CDUP1000	225	CEUP1000
1050	760	200	1300	200	CDUP1050	225	CEUP1050
1200	910	200	1450	200	CDUP1200-S	225	CEUP1200
1350	1060	200	1600	200	CDUP1350-S	225	CEUP1350
1400	1110	200	1650	200	CDUP1400-S	225	CEUP1450
1500	1260	200	1800	200	CDUP1500-S	225	CEUP1500
1600	1360	200	1900	200	CDUP1600-S	225	CEUP1600



Canning Conveyor

Material Handling Solutions

Sandy Lane Industrial Estate Worksop Nottinghamshire S80 1TN

Tel: 01909 486166 Fax: 01909 500638

sales@canningconveyor.co.uk www.canningconveyor.co.uk